

BC822V2H3-AS

Assembly 33x zoom IP camera, 3MP, AF, Day/night, H.265/H.264

DESCRIPTION

The BC822v2H3-AS is a color IP camera to be built-in the ATEX (EX) and the marine and industrial (SA) camera housings from Siqura. It is a full featured 3 Mpixel IP box camera with excellent low light sensitivity and HDR capabilities, a . Its integrated zoom lens can perform a fast and reliable auto-focus over the whole range. The camera provides high quality, clear images in any situation

FEATURES

Fully Integrated in the Siqura EX- or SA-housings

1/2.8 ultra-low light CMOS

3 Mpixel @ 30 fps HDR

33x Auto-focus zoom

120 dB WDR (HDR)

Quad stream H.264, H.265 and MJPEG

Day/Night with IR-cut filter

ONVIF Profile S, G and T



Description

Marine, Offshore, Oil and Gas

The BC822v2H3-SA camera is an essential part of the Marine, Offshore, Oil and Gas solutions from Siqura. It is fitted inside the 316L housing and forms the digital hart of the camera.

Multi-stream high definition

The camera has quad-stream capability for simultaneous streaming of H.265, H.264 and/or MJPEG. Multiple combinations of resolution and frame rate can be configured to fit different scenarios. 3 Mpixel resolution is available at 30 fps, a full-HD 1080p stream at 60 fps can be combined with a second stream at 30 fps. Each selected resolution-frame rate combination can be freely set to a stream number.

ONVIF

Multiple options are available to easily integrate the BC822v2H3-SA to a video management system. In support of open standards, the camera is compliant with the ONVIF Profile Tand Profile S for streaming compatibility with other VMS's, and Profile G for local storage compatibility. The BC822v2H3-SA seamlessly integrates with the Siqura SA- and EX-Fixed and Pan/Tilt stations.

Image enhancement

The BC822v2H3-SA provides automatic day/night functionality with configurable thresholds, for use in low-light situations. Back-light or high-light compensation enhances image visibility in difficult lighting situations. HDR or dual shutter WDR for extreme dynamic range. To improve the image quality the camera is fitted with electronic image stabilization, by the use of an internal gyro sensor the image is compensated for the registered movement, resulting is a stable image.

*: Available in Q2-2019

Camera	
Image sensor	1/2.8 Progressive scan CMOS
Effective pixels	2065 (H) x 1553 (V)
Shutter speed	1 to 1/10.000 s
Day/Night	IR-cut filter
Minimum scene illumination	0.04 lux (colour), 0.002 lux (b/w), F1.6
Lens	33x Optical zoom, F1.6 (wide), F5 (tele)
Lens focal length	4.6 to 152 mm
Horizontal field of view	52° (W) to 3° (T)
Body material	Aluminum alloy, ABS
Internal demister/heater	Standard

Image control	
Dynamic range (WDR)	120 dB, dual exposure HDR
White balance	Auto, ATW, Manual, One push
Image settings	Contrast Brightness Saturation Hue Sharpness
SNR	Better than 54dB
Noise reduction	3DNR, 2DNR, Color Low, mid, high (w/ Motion Compensation)
Image Stabilization	Yes
Image enhancement	HLC/BLC/Defog
Digital zoom	10x
Text and picture overlay	date & time, 4x line (40 characters each), preset title, image, image transparency
Privacy masks	5
Image rotation	90°, 180°, 270° rotation

Video	
Video compression	H.265, H.264 (main or high profile); MJPEG
Number of compression instances	Any combination of H.265 or H.264 streams with possibly one MJPEG stream.
Supported resolutions	2048x1536 (3MP); 1080p60,1280x1024; 720p60; 1024x768; 800x600; 720x567(D1); 640x480 (VGA); 352x240 (CIF)
Max streaming (H264/H265/MJPEG)	
60fps	2048x1536 800x600
60fps	2048x1536 720x480 352x240 352x240
30fps	2048x1536 2048x1536 1280x720 352x240
30fps (dual shutter WDR)	2048x1536 2048x1536 800x600 352x240
Compression bit rate control	Constant bit rate (CBR), variable bit rate (VBR), Low bit rate (LBR)
Number of video output streams	Up to 20 (RTSP)
Total output data rate (max)	60 Mb/s
Video frame rate	1 to 60 fps, 1 to 50 fps

Analytics	
Loitering Detection	Enter and loiter in a user-defined region

Specs



Analytics

Intrusion Detection	Enter in a user-defined region
Wrong Direction	Cross a user-defined unidirectional or bidirectional
Event detections	Motion Detection, Audio detection, Abandoned Object, Object Removal, Camera Sabotage
Event Triggers	External Input, Analytics, Network Failure Detection, Periodical Event, Manual Trigger

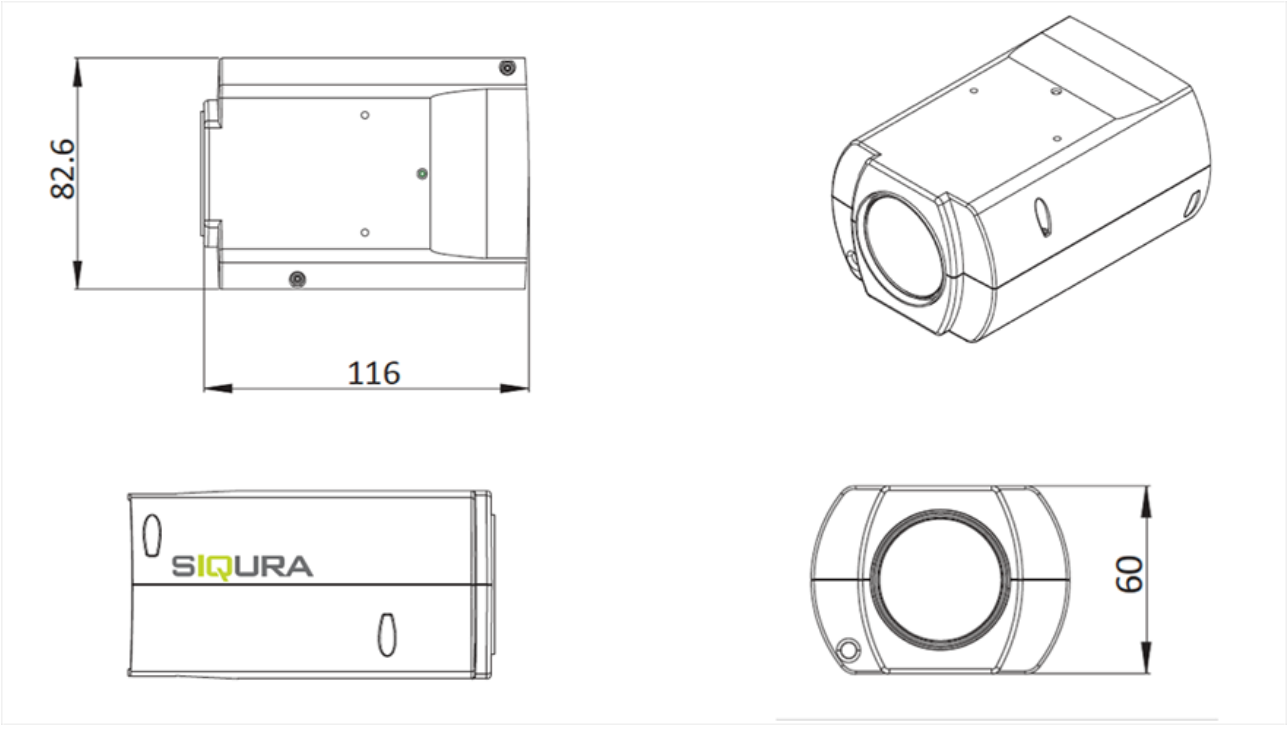
Network

Local storage	Micro SD/SDHC/SDXC up to 128 GB;
Network storage	NAS (Support NFS, SMB/CIFS)
Protocols	IPv4/IPv6, HTTP, HTTPS, 802.1x, Qos, FTP, SMTP, UPnP, SNMP, DNS, DDNS, NTP, RTSP, RTCP, RTP, TCP/IP, DHCP, PPPoE, Diamond, NTCIP 1205.
Security	User authentication, IP filtering, Digest authentication (RTSP, HTTP) HTTPS encryption (TLS1.2); IEEE 802.1x port-based network access control
Standard	ONVIF (Profile S, Profile G, Profile T), Siqua API
Web browser	IE 9, 10 and 11; limited support for Edge, Chrome, Firefox

Ordering information

BC822v2H3-AS	Assembly 33x zoom IP camera, 3MP, AF, Day/night, H.265/H.264
--------------	--

BC822V2H3 DIMENSION IN MM



CAMERA COMPATIBILITY MATRIX

Housing	Optical camera		Thermal camera			Interface			
	BC822v2H3-SA	TC(R1)-336	TC(R1)-640	INT-RJ	INT-RJ5 INT-RJ10	INT-SM	INT-SM5 INT-SM10	INT-MM	INT-MM5 INT-MM10
EX-FIX24	✓			✓	✓	✓	✓	✓	✓
EX-FIX24W	✓			✓	✓	✓	✓	✓	✓
EX-FIX24T		✓	✓	✓	✓	✓	✓	✓	✓
EX-PTZ24	✓			✓	✓	✓	✓	✓	✓
EX-PTZ24T		✓	✓	✓	✓	✓	✓	✓	✓
EX-PTZ24D	✓	✓	✓	✓	✓				

This charts also applies to the EX cameras versions for 115 Vac and 230 Vac.

Housing	Optical camera		Thermal camera			Interface			
	BC822v2H3-SA	TC(R1)-336	TC(R1)-640	INT-RJ	INT-RJ5 INT-RJ10	INT-SM	INT-SM5 INT-SM10	INT-MM	INT-MM5 INT-MM10
SA-FIX24	✓			✓		✓		✓	
SA-FIX24W	✓			✓		✓		✓	
SA-FIX24T	✓	✓	✓	✓		✓		✓	
SA-PTZ24	✓			✓					
SA-PTZ24T		✓	✓	✓					
SA-PTZ24D	✓	✓	✓	✓					

This charts also applies to the SA cameras versions for 115 Vac and 230 Vac.