

BL2002PID

Long range 2MP network bullet camera with PID

DESCRIPTION

The BL2002PID is an intelligent 2-megapixel IP bullet camera with built-in perimeter intrusion detection (PID). It is especially focused on perimeter surveillance applications, where traditionally the box camera would find purpose. Thanks to this model's long viewing range of up to 150m, including IR illumination. The PID function uses an AI algorithm, ensuring the highest accuracy possible. The long-range 4.7 to 71 mm (15x) motorized autofocus lens allows for a longer inter-camera distance, reducing materials cost. Intelligent video encoding ensures good image quality and low storage costs.

FEATURES

1/2.8 ultra-low light CMOS imager

2MP @ 60 fps (1920x1080)

Motorized zoom (4.7 - 71 mm)

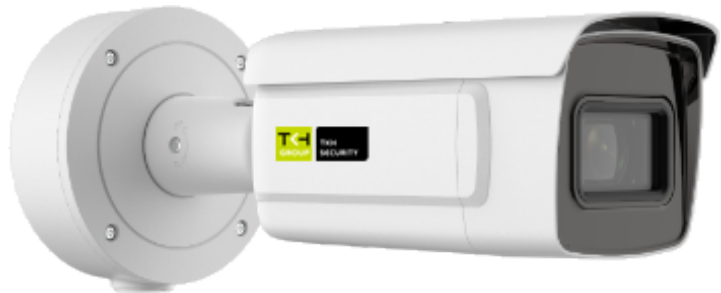
Includes AI Smart perimeter intrusion detection

Multi-codec multi-stream: 4x H.265, H.264, MJPEG

Built-in IR illuminator (up to 150 m)

IP67, IK10

ONVIF Profile S, G, T



Description

Long range perimeter intrusion detection

The BL2002PID is equipped with light sensitive optics to look into the far distance and detect perimeter intrusions over distances more than 100 meters away. This makes this camera a very cost effective alternative to the classic box camera application for fence surveillance. The smart AI-based virtual fence algorithm is specialized in detecting humans, which over time reduces the chance of false alarms.

Multi-encoder & multi-streaming

The camera is capable of simultaneous streaming 4 different H.265, H.264 and MJPEG streams. Streaming 2-megapixel full-HD (1920 x 1080) at up to 60 fps. Multiple combinations of resolution, frame rate, and encoding can be configured to satisfy different live viewing and recording scenarios.

High-Efficiency Video Coding (HEVC)

H.265 or HEVC is a video compression standard, the successor of H.264. In comparison, H.265 offers about double the compression ratio at the same level of video quality or substantially improved video quality at the same bit rate. Thus saving bandwidth and recording space.

ONVIF

Multiple options are available to easily integrate the BL2002PID into a video management system. In support of open standards, the camera is ONVIF conformant. Any VMS today supports this camera via its ONVIF driver.

Image enhancement

The BL2002PID features a set of tools to enhance the image quality, such as smart IR, Defog, BLC, and 3D noise reduction.

Ease of installation

The BL2002PID is fitted with a built-in junction box to make installation easy and dismisses the need for an external junction box.

(c) 20260420

Camera	
Image sensor	1/2.8" CMOS
Max. Resolution	1920x1080 (2MP)
Max. Frame rate	30 fps
Minimum scene illumination	0.002 lx (Color); 0 lx (B/W, IR lighting); F1.4
Shutter Speed	1 .. 1/30000 s
Lens	Motorized 4.7 .. 71 mm (15x zoom), F1.4, Auto-iris
Field of View	57.7° .. 3.66° horizontal, 33.2° .. 2.75° vertical
Focus Control	Auto, Manual
Slow Shutter	Supported
Day/Night	Automatic IR-cut Filter
IR illumination	150 m; 850 nm

Video	
Stream 1 resolutions	1920x1080, 1280x720
Stream 2 resolutions	640x480, 640x360
Stream 3 resolutions	1920x1080, 1280x720, 640x480, 640x360
Stream 4 resolutions	1280x720, 640x480, 640x360
Video Compression	H.265, H.264, MJPEG
H.264 profiles	Baseline profile, Main profile, High profile
H.265 profiles	Main profile
Video Bitrate	32 .. 8000 kbps
Bitrate Control	CBR, VBR
Number of video output streams	Up to 6
Region of interest	Supported, 5x

Image	
Image control	Brightness, Contrast, Saturation, Sharpness, Whitebalance, AGC
Day/Night control	Day, Night, Auto
Wide dynamic range	120 dB
SNR	52 dB
Image enhancement	BLC, HLC, Defog, 3DNR, 2DNR
Rotation	Supported
Mirror	Off, Left/Right, Up/Down, Center
Privacy masks	8 (Solid)
Text and picture overlay	8x Text, Date/time, Camera name, Image (bmp)

Mechanical adjustment	
Pan range	0° .. 355°
Tilt range	0° .. 90°

Analytics	
Smart analytics	Line crossing, Intrusion detection, Zone enter, Zone exit, Scene changed, Left luggage, Object removed, Loitering

Specs



Analytics

Event detections	Motion detection, Tampering, Network disconnected, IP address conflict, Invalid login, Storage full, Storage error, Image quality, Bad focus, Bad lighting, Bad contrast, Bad SNR, Audio detection
Event actions	Alarm output, Record video clip, Send message, Upload image

Audio

Audio input	1x Line IN (mono, 3.5mm connector)
Audio output	1x Line OUT (mono, 3.5mm connector)
Compression	G.711ulaw, G.711alaw, G.722.1, G.726, MP2L2, PCM, MP3, AAC-LC

Alarm

Input	1x Alarm IN
Output	1x Digital OUT (max. DC 12 V, 30 mA)

Network

Interface	100Base-TX (FE, IEEE 802.3u), MDI/MDI-X Auto negotiation, Flow control (IEEE 802.3x)
Protocols	TCP, UDP, ICMP, HTTP, FTP, SFTP, RTP, DHCP, DNS, DDNS, RTSP, RTCP, PPPoE, NTP, UPnP, SMTP, SNMP v1/v2/v3, IGMP v1/v2, 802.1x, QoS, IPv4, IPv6, Bonjour, SSL, TLS v1.0/v1.1/v1.2, ONVIF Profile S/G/T, SPI, ISAPI, SMB, NFS, CIFS
Interoperability	ONVIF Profile S/G/T, SPI, ISAPI
Security	Password, Complex password, HTTPS encryption, 802.1x port authentication, EAP, Watermark, IP address filter, Basic authentication, Digest authentication, HTTP authentication, ONVIF WSSE authentication, ONVIF digest authentication, RTP over HTTPS, RTSP over HTTPS, Logout after idle timeout, Security audit log, TLSv1.2 (HTTPS, 802.1x), Signed firmware, Secure boot
Web browser	Internet Explorer 11, Microsoft Edge, Google Chrome, Mozilla Firefox
Local Storage	uSD, uSDHC, uSDXC, max. 256 GB

Environmental

Protection Level	IP67, IK10
Operating temperature	-30 .. 60 °C (-22 .. 140 °F)
Relative humidity (Operating)	Max. 95% (non-condensing)
Storage temperature	-30 .. 60 °C (-22 .. 140 °F)
Relative humidity (Storage)	Max. 95% (non-condensing)
Power supply	DC 12 V +/-10% (max. 10.8W), AC 24 V +/-10% (max. 10.8W), PoE 802.3af class 3 (max. 12.9W)

Mechanical

Specs

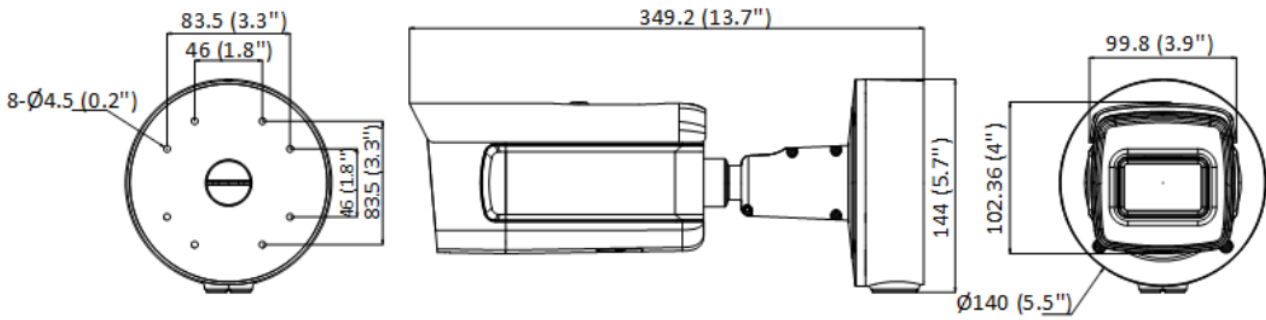


Mechanical

Material	Metal
Connectivity	Cable tail (15 cm, 5.9 inch)
Product dimensions	144 x 140 x 349.2
Product weight	1.8 kg (4 lbs)
Package dimensions	405 x 190 x 180
Package weight	2.9 kg (6.3 lbs)
Color	Signal white, black

Ordering Information

BL2002PID	2MP IP Bullet camera with 15x motor zoom, IR, 1/2.8" CMOS, Long range
PM10	Pole mount, for BL/FD200xM1-EI, FD202xv2M, BL/FD200xM
PM10A	Pole mount, for BL200xv2M, BL2002PID, BL202xM
WM20	Corner mount, for 200xM, 200xv2M, 202xM



Unit: mm (inch)

RELATED



TKH Security PM10

Pole mount, for BL/FD200xM1-EI, FD202xv2M, BL/FD200xM



TKH Security PM10A

Pole mount, for BL200xv2M, BL2002PID, BL202xM



TKH Security WM20

Corner mount, for 200xM, 200xv2M, 202xM
