

# BL2002V2LPR

LPR bullet camera, 8-32 mm motorized lens, 2MP, H.265/H.264

## DESCRIPTION

The BL2002v2LPR is an intelligent 2-megapixel IP bullet camera with built-in LPR. The license plate recognition uses the latest AI algorithm, ensuring the highest accuracy possible. The built-in IR illumination adapts to the lighting environment for the best and balanced exposure of the image up to 100 m. The long-range 8 to 32 mm motorized autofocus lens allows for easy setup and ensures sharp and clear images. The camera has a wide range of intelligent video analytics features to detect numerous events. Intelligent video encoding ensures good image quality and low storage costs.

## FEATURES

---

1/1.8 ultra-low light CMOS imager

---

2MP @ 30 fps (1920x1080)

---

Motorized zoom (8 - 32 mm)

---

AI: LPR, perimeter and exception detection

---

Multi-codec multi-stream: 5x H.265, H.264, MJPEG

---

140 dB triple exposure WDR

---

Built-in IR illuminator (100 m)

---

IP67, IK10

---

ONVIF Profile S, G and T

---



## Description

### License plate recognition

With an accuracy of 95% the BL2002v2LPR captures license plates in both day and night. It can create alarms for both white-listed and black-listed license plates. The camera can be used to read license plates in multiple lanes and in both directions. Additional attributes about the vehicle such as vehicle type, color, brand etc are offered to craft the understanding of detected vehicles.

### Multi-encoder & multi-streaming

The camera is capable of simultaneous streaming 5 different H.265, H.264 and MJPEG streams. Streaming 2-megapixel full-HD (1920 x 1080) at 30 fps. Multiple combinations of resolution, frame rate, and encoding can be configured to satisfy different live viewing and recording scenarios.

### High-Efficiency Video Coding (HEVC)

H.265 or HEVC is a video compression standard, the successor of H.264. In comparison, H.265 offers about double the compression ratio at the same level of video quality or substantially improved video quality at the same bit rate. Thus saving bandwidth and recording space.

### ONVIF

Multiple options are available to easily integrate the BL2002v2LPR into a video management system. In support of open standards, the BL2002v2LPR is compliant with ONVIF (Profile S / Profile G).

### Image enhancement

The BL2002v2LPR features a set of tools to enhance the image quality, such as smart IR, Defog, BLC, and 3D noise reduction.

### Ease of installation

The BL2002v2LPR is fitted with a built-in junction box to make installation easy and dismisses the need for an external junction box.

(c) 20250219

| Camera                     |   |
|----------------------------|---|
| Image Sensor               | 1/1.8" Progressive CMOS                                   |
| Effective pixels           | 1920x1080(2MP)  |
| Minimum scene illumination | Color: 0.0005lux, B/W: 0lux with IR illumination on, F1.2 |
| Shutter Speed              | 1 sec. to 1/100,000 sec.                                  |
| Lens                       | Motorized 8 to 32 mm, F/1.2, P-iris                       |
| Field of View              | 42° to 15° horizontal, 23.3° to 8.6° vertical             |
| Focus Control              | Autofocus   |
| Slow Shutter               | Support   |
| Day/Night                  | Automatic IR-cut Filter                                   |

| Video                          |   |
|--------------------------------|---|
| Video Compression              | H.265 (Main Profile) / H.264 (High Profile/Main Profile/High Profile) / MJPEG |
| Video Bitrate                  | 32Kbpf to 8Mbps   |
| Max. Resolution                | 1920x1080 30fps   |
| Supported Resolution           | 1920x1080, 1280x720, 704x576, 640x480   |
| Frame Rate                     | 25/30fps  |
| Number of simultaneous streams | Five streams  |

| Max. Streaming                 |   |
|--------------------------------|---|
| 25fps                          |   |
| 25fps*                         | 1920x1080, 704x576, 1920x1080, 1920x1080, 704x576                                 |
| 30fps*                         | 1920x1080, 704x480, 1920x1080, 1920x1080, 704x576                                 |
| 60fps(Shutter WDR OFF)         | 1920x1080   |
| Bitrate Control                | Constant bit rate (CBR), variable bit rate (VBR), Smart bitrate(H.265+, H.264+)** |
| Number of video output streams | Up to 20(RTSP)  |
| Video output                   | 1 Vp-p; 2-pin to BNC patch cable (For test/installation only)                     |
| Region of interest             | Support   |
|                                | **Main Stream support   |

| Image                    |  |
|--------------------------|--|
| Wide dynamic range       | 140dB  |
| White Balance            | Auto, Fixed, Manual  |
| Image Setting            | Saturation, Brightness, Contrast, Sharpness, Backlight Compensation, Highlight Compensation, WDR, Exposure control, Gain |
| SNR                      | 52dB   |
| Day/Night Switch         | Auto/Scheduled/Triggered by Alarm In   |
| Image Enhancement        | 3DNR, Defog, Lens Distortion Correction  |
| Image Stabilization      | Yes  |
| Image Rotation           | 90°, 180°, 270° rotation   |
| privacy masks            | Support  |
| Text and picture overlay | Date & time, Preset title, Image overlay with 128 128 24-bit BMP format  |

### Analytics

| Analytics        |  |
|------------------|--|
| Smart Analytics* | Defocus Detection, Scene Change Detection, Line crossing*, Loitering Detection*, Intrusion Detection*, Region exiting detection*, Object Abandoned*, Object Removal*, Road Traffic**   |
| Event detections | External Input, External Output, Tampering, recording notification, Network disconnected, IP Address Conflicted, Illegal Login, Video quality Diagnosis, Vibration detection, Event Action<br>Alarm output, Record video clip to NAS/SD card, Send alarm message and image by E-mail/FTP, Send HTTP notification |
|                  | *Available on Smart Event mode.  |
|                  | **Available on Road Traffic mode.  |

| Traffic Load                    |  |
|---------------------------------|--|
| Accuracy                        | 95%, under ideal installation condition  |
| Max Vehicle Speed               | 60 km/h  |
| Detected Distance               | 7.2-28.9 meters  |
| Blacklist/Whitelist             | 10,000 records   |
| Missing Detection               | Support  |
| Attributes of Vehicle Detection | License Plate Recognition(vehicle, motorcycles), Vehicle Type, color, brand, moving direction, validity  |
| Country                         | Albania, Algeria, Angola, Argentina, Armenia, Australia, Austria, Azerbaijan, Bahrain, Belarus, Belgium, Bolivia, Bosnia and Herzegovina, Brazil, Bulgaria, Cambodia, Cameroon, Canada, Chile, Colombia, Costa Rica, Cote d'Ivoire, Croatia, Cyprus, Czech Republic, Denmark, Dominica, Ecuador, Egypt, Estonia, Ethiopia, Finland, France, Georgia, Germany, Ghana, Greece, Guatemala, Hungary, Iceland, Indonesia, Iraq, Ireland, Israel, Italy, Japan, Jordan, Kazakhstan, Kenya, Kosovo, Kuwait, Kyrgyzstan, Latvia, Lebanon, Libya, Liechtenstein, Lithuania, Luxembourg, Macedonia, Malaysia, Malta, Mauritius, Mexico, Moldova, Mongolia, Myanmar, the Netherlands, New Zealand, Nigeria, Oman, Pakistan, Palestine, Panama, Paraguay, Peru, Philippines, Poland, Portugal, Qatar, Romania, Russia, Salvador, Saudi Arabia, Senegal, Sierra Leone, Singapore, Slovakia, Slovenia, South Africa, South Korea, Spain, Sri Lanka, Sweden, Switzerland, Taiwan, Tajikistan, Tanzania, Thailand, Trinidad and Tobago, Tunisia, Turkey, Uganda, Ukraine, United Arab Emirates, the United Kingdom, Uruguay, Uzbekistan, Vietnam, Zambia, Zimbabwe |

| Alarm             |  |
|-------------------|--|
| Input             | 2x(max. 24VDC, 1A)   |
| Output            | 2x(max. 24VDC, 1A)   |
| Operational modes | Motion detection, Tampering alarm, Alarm I/O, Smart Analytics Events |

| Network                 |   |
|-------------------------|---|
| Communication Interface | 10/100/1000 Mb (RJ45)   |
| Network protocols       | IPv4/IPv6, HTTP, HTTPS (TLS1.2), 802.1x, Qos, FTP, SMTP(SSL), UPnP, SNMP(v1/v2/v3/Traps), DNS, DDNS, NTP, RTSP, RTCP, RTP/UDP, TCP/IP, IGMP(v2/v3), |

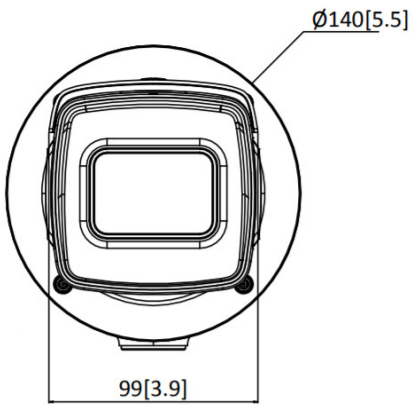
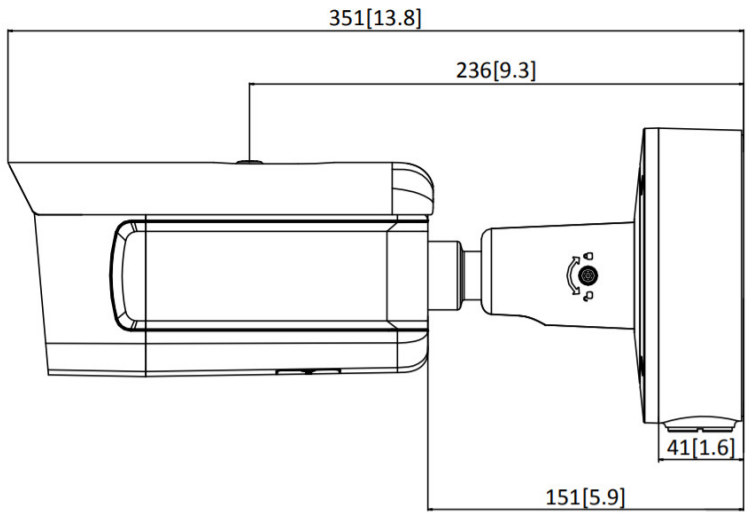
# Specs



| Network    |   |
|------------|---|
|            | DHCP, PPPoE, SSL/TLS, SRTP, ONVIF Profile S/G/T, Siqua Programming Interface (SPI API)  |
| Security   | User authentication, Privilege Management, Digest authentication (RTSP, HTTP), HTTPS encryption (TLS1.1/1.2); SRTP, IEEE 802.1x port-based network access control, IP filtering, Signed firmware, Secure boot |
| Web Viewer | Internet Explorer 11, Microsoft Edge, Google Chrome, Mozilla Firefox  |

| General                       |  |
|-------------------------------|--|
| Protection Level              | IP67, IK10   |
| Material                      | Die cast aluminum  |
| Edge Storage                  | Built-in micro SD/SDHC/SDXC slot, up to 256 GB                                   |
| Power                         | DC12V (terminal block), Max.14.28W; IEEE 802.3at PoE Type 2, Class 4, Max. 16.8W |
| IR illumination               | 850nm IR LEDs, 100m IR Viewable Length   |
| Operating temperature         | -30°C ~ 60°C (-22°F ~ 140°F)   |
| Relative Humidity (Operating) | 95% or less, no condensation   |
| Storage temperature           | -30°C ~ 60°C (-22°F ~ 140°F)   |
| Relative Humidity (Storage)   | 95% or less, no condensation   |
| Dimensions(camera body)       | diameter 140 x 351 mm (5.5" x 13.8")   |
| Weight                        | 2.5kg  |
| Colour                        | RAL 9003 (Signal white)  |

| Ordering information |  |
|----------------------|--|
| BL2002v2LPR          | 2MP LPR bullet camera, 8-32 mm motorized lens, H.265/H.264 |
| WM20                 | Corner mount for BL2002, FD2002, BL2005 and FD2005 cameras |
| PM10                 | Pole mount for BL2002, FD2002, BL2005 and FD2005 cameras   |



## RELATED

---



**TKH Security WM20**  
Corner mount, for 200xM, 200xv2M, 202xM

---



**TKH Security PM10**  
Pole mount, for BL/FD200xM1-EI, FD202xv2M, BL/FD200xM

---



**TKH Security BLFG01**  
Front glass, for BL2002LPR, BL2002v2LPR

---