

BL2002V2M (UNTIL STOCK LAST)

Bullet camera, 2.7-13.5 mm motorized lens, 2MP, H.265/H.264

DESCRIPTION

*** This product is status Until stock last. ***

The BL2002v2M is a 2-megapixel IP bullet camera providing clear images in any situation. A wide angle 2.7 to 13.5 mm motorized autofocus lens allows for easy setup and ensures sharp and clear images. The camera has a wide range of intelligent video analytics features to detect numerous events. Intelligent video encoding ensures good image quality and low storage costs.

FEATURES

Max 1920x1080 Resolution

2MP @ 25/30 fps

Quad stream H.264, H.265 and MJPEG

60m Built-in IR illuminator

Embedded Video analytics

ONVIF Profile S, G and T

IP67, IK10



(c) 20240229



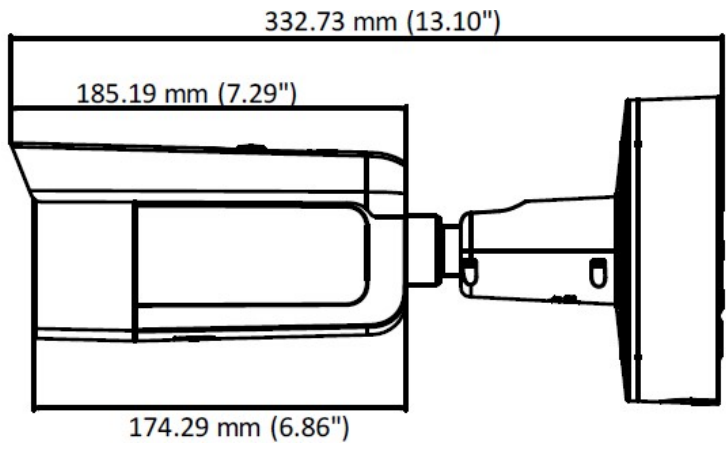
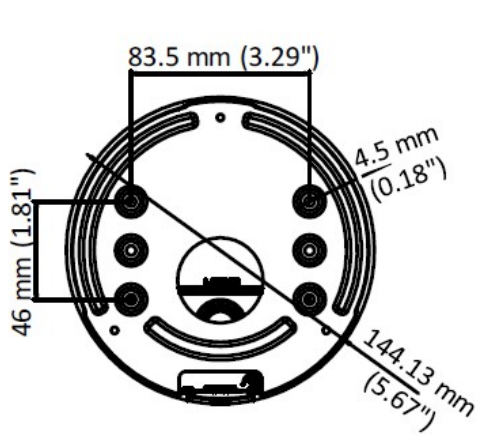
Camera	
Image Sensor	1/2.8" Progressive CMOS
Effective pixels	1920x1080(2MP)
Minimum scene illumination	Color: 0.002lux, B/W: 0 lux, 0lux with IR illumination on, F1.4
Shutter Speed	1/3s to 1/100,000s
Lens	Motorized 2.7 to 13.5mm, F/1.4, Auto-iris
Field of View	34° to 113° horizontal, 19° to 58° vertical
Focus Control	Autofocus
Slow Shutter	Supported
Day/Night	Automatic IR-cut Filter

Video	
Video Compression	H.265 (Main Profile) / H.264 (High Profile/Main Profile/High Profile) / MJPEG
Video Bitrate	32Kbpf to 16Mbps
Max. Resolution	1920x1080 30fps
Supported Resolution	1920x1080, 1280x960, 1280x720, 704x576, 640x480, 640x360
Frame Rate	25/30fps
Number of simultaneous streams	Quad streams*
Max. Streaming	
30fps*	1920x1080, 640x480, 1920x1080, 1280x720
30fps	1920x1080, 640x480
Bitrate Control	Constant bit rate (CBR), variable bit rate (VBR), Smart bitrate(H.265+, H.264+)**
Number of video output streams	Up to 6(RTSP)
Region of interest	Support
	*Monitor mode enabled. 3rd and 4th streaming are limited to 10fps.
	**Main Stream support

Image	
Wide dynamic range	120dB
White Balance	Auto(3 levels), Fixed, Manual
Image Setting	Saturation, Brightness, Contrast, Sharpness, Backlight Compensation, Highlight Compensation, WDR, Exposure control, Gain, Backlight compensation
Day/Night Switch	Auto/Scheduled/Triggered by Alarm In
SNR	52dB
Image Enhancement	3DNR, Defog
Image Rotation	90°, 180°, 270° rotation
Text and picture overlay	Date & time, Preset title

Analytics	
Smart Analytics***	Line crossing, Intrusion Detection, Region exiting detection, Object Abandoned, Object Removal
Event detections	External Input, External Output, Tampering, Audio Detection, Manual Trigger, recording notification, Network disconnected, IP Address Conflicted, Illegal Login
Event Action	Alarm output, Record video clip to NAS/SD card, Send alarm message and image

Analytics	
	by E-mail/FTP, Send HTTP notification
	***Smart event mode enabled.
Audio	
Audio Interface	1x 3.5 mm audio in (LINE IN, MIC IN); 1x 3.5 mm audio out interface (LINE OUT)
Compression	G.711, G.726, AAC, PCM
Alarm	
Input	1x(max. 24VDC/24VAC, 1A)
Output	1x(max. 24VDC/24VAC, 1A)
Operational modes	Motion detection, Tampering alarm, Alarm I/O, Smart Analytics Events
Network	
Communication Interface	10/100 Mb (RJ45)
Network protocols	IPv4/IPv6, HTTP, HTTPS (TLS1.2), 802.1x, Qos, FTP, SMTP(SSL), UPnP, SNMP(v1/v2/v3/Traps), DNS, DDNS, NTP, RTSP, RTCP, RTP/UDP, TCP/IP, IGMP(v2/v3), DHCP, PPPoE, SSL/TLS, ONVIF Profile S/G/T, Siqua Protocol
Security	User authentication, Privilege Management, Digest authentication (RTSP, HTTP), HTTPS encryption (TLS1.1/1.2); IEEE 802.1x port-based network access control, IP filtering
Web Viewer	Internet Explorer 11, Microsoft Edge, Google Chrome, Mozilla Firefox
General	
Protection Level	IP67, IK10
Material	Die cast aluminum
Edge Storage	Built-in micro SD/SDHC/SDXC slot, up to 256 GB
Power	DC12V (terminal block), Max.13W; IEEE 802.3at PoE Class 4, Max. 15W
IR illumination	850nm IR LEDs, 60m IR Viewable Length
Operating temperature	-30°C ~ 60°C (-22°F ~ 140°F)
Relative Humidity (Operating)	95% or less, no condensation
Storage temperature	-30°C ~ 60°C (-22°F ~ 140°F)
Relative Humidity (Storage)	90% or less, no condensation
Dimensions(camera body)	diameter144.13 x 332.73 mm (5.67" x 13.10")
Weight	1.5kg
Colour	RAL 9003 (Signal white)
Ordering Information	
BL2002v2M	2MP Bullet camera, 2.7-13.5mm motorized, H.265/H.264/MJPEG, IR, IK10, IP67
PM10A	Pole mount, for BL200xv2M
WM20	Corner mount, for 200xM/200xv2M series cameras



RELATED



TKH Security WM20
Corner mount, for 200xM, 200xv2M, 202xM



TKH Security PM10A
Pole mount, for BL200xv2M, BL2002PID, BL202xM
