

# BL2005V2M (EOL)

Bullet camera, 2.7–13.5 mm motorized lens, 5MP, H.265/H.264

## DESCRIPTION

\*\*\* This product is End-of-Life \*\*\*

The BL2005v2M is a 5-megapixel IP bullet camera providing clear images in any situation. A wide angle 2.7 to 13.5 mm motorized autofocus lens allows for easy setup and ensures sharp and clear images. The camera has a wide range of intelligent video analytics features to detect numerous events. Intelligent video encoding ensures good image quality and low storage costs.

## FEATURES

---

Max 2592x1944(5MP) Resolution

---

5MP @ 25 fps

---

Quad stream H.264, H.265 and MJPEG

---

60m Built-in IR illuminator

---

Embedded Video analytics

---

ONVIF Profile S, G and T

---

IP67, IK10

---





(c) 20240229

Camera	
Image Sensor	1/2.7" Progressive CMOS
Effective pixels	2592x1944(5MP)
Minimum scene illumination	Color: 0.003lux, B/W: 0 lux, Olux with IR illumination on, F1.4
Shutter Speed	1/3s to 1/100,000s
Lens	Motorized 2.7 to 13.5mm, F/1.4, Auto-iris
Field of View	32° to 103° horizontal, 24° to 73° vertical
Focus Control	Autofocus
Slow Shutter	Supported
Day/Night	Automatic IR-cut Filter

Video	
Video Compression	H.265 (Main Profile) / H.264 (High Profile/Main Profile/High Profile) / MJPEG
Video Bitrate	32Kbpf to 16Mbps
Max. Resolution	2592x1944 25fps
Supported Resolution	2592x1944, 2699x1520, 1920x1080, 1280x720, 640x480, 640x360
Frame Rate	25/30fps
Number of simultaneous streams	Quad streams*
Max. Streaming	
25fps	2592x1944 640x480
25fps*	2592x1944 640x480 1920x1080 1280x720
30fps*	2688x1520 640x360 1280x720
Bitrate Control	Constant bit rate (CBR), variable bit rate (VBR), Smart bitrate(H.265+, H.264+)**
Number of video output streams	Up to 6(RTSP)
Region of interest	Support
	*Monitor mode enabled. 3rd and 4th streaming are limited to 10fps.
	**Main Stream support

Image	
Wide dynamic range	120dB
White Balance	Auto(3 levels), Fixed, Manual
Image Setting	Saturation, Brightness, Contrast, Sharpness, Backlight Compensation, Highlight Compensation, WDR, Exposure control, Gain, Backlight compensation
Day/Night Switch	Auto/Scheduled/Triggered by Alarm In
SNR	52dB
Image Enhancement	3DNR, Defog
Image Rotation	90°, 180°, 270° rotation
Text and picture overlay	Date & time, Preset title

Analytics	
Smart Analytics***	Line crossing, Intrusion Detection, Region exiting detection, Object Abandoned, Object Removal
Event detections	External Input, External Output, Tampering, Audio Detection, Manual Trigger, recording notification, Network disconnected, IP Address Conflicted, Illegal Login

# Specs



## Analytics

Event Action	Alarm output, Record video clip to NAS/SD card, Send alarm message and image by E-mail/FTP, Send HTTP notification
	***Smart event mode enabled.

## Audio

Audio Interface	1x 3.5 mm audio in (LINE IN, MIC IN); 1x 3.5 mm audio out (LINE OUT)
Compression	G.711, G.726, AAC, PCM

## Alarm

Input	1x(max. 24VDC/24VAC, 1A)
Output	1x(max. 24VDC/24VAC, 1A)
Operational modes	Motion detection, Tampering alarm, Alarm I/O, Smart Analytics Events

## Network

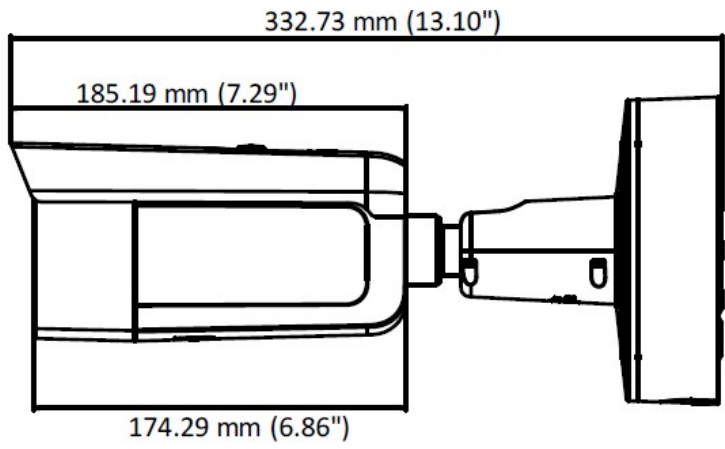
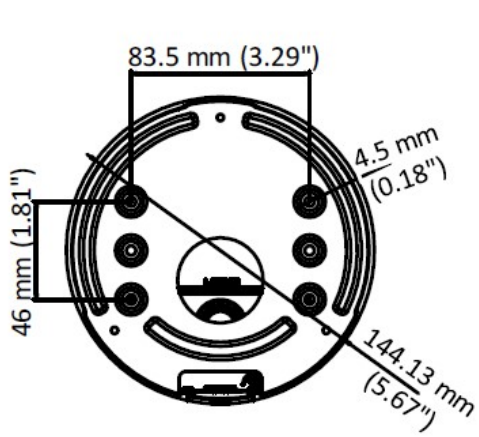
Communication Interface	10/100 Mb (RJ45)
Network protocols	IPv4/IPv6, HTTP, HTTPS (TLS1.2), 802.1x, Qos, FTP, SMTP(SSL), UPnP, SNMP(v1/v2/v3/Traps), DNS, DDNS, NTP, RTSP, RTCP, RTP/UDP, TCP/IP, IGMP(v2/v3), DHCP, PPPoE, SSL/TLS, ONVIF Profile S/G/T, Siquira Protocol
Security	User authentication, Privilege Management, Digest authentication (RTSP, HTTP), HTTPS encryption (TLS1.1/1.2); IEEE 802.1x port-based network access control, IP filtering
Web Viewer	Internet Explorer 11, Microsoft Edge, Google Chrome, Mozilla Firefox

## General

Protection Level	IP67, IK10
Material	Die cast aluminum
Edge Storage	Built-in micro SD/SDHC/SDXC slot, up to 256 GB
Power	DC12V (terminal block), Max.13W; IEEE 802.3at PoE Class 4, Max. 15W
IR illumination	850nm IR LEDs, 60m IR Viewable Length
Operating temperature	-30°C ~ 60°C (-22°F ~ 140°F)
Relative Humidity (Operating)	95% or less, no condensation
Storage temperature	-30°C ~ 60°C (-22°F ~ 140°F)
Relative Humidity (Storate)	90% or less, no condensation
Dimensions(camera body)	diameter144.13 x 332.73 mm (5.67" x 13.10")
Weight	1.5kg
Colour	RAL 9003 (Signal white)

## Ordering Information

BL2005v2M	5MP Bullet camera, 2.7-13.5mm motorized, H.265/H.264/MJPEG, IR, IK10, IP67
PM10A	Pole mount, for BL200xv2M
WM20	Corner mount, for 200xM/200xv2M series cameras



## RELATED

---



**TKH Security WM20**  
Corner mount, for 200xM, 200xv2M, 202xM

---



**TKH Security PM10A**  
Pole mount, for BL200xv2M, BL2002PID, BL202xM

---