

# CM11

Ceiling mount, for PD20xx-series PTZ cameras

## DESCRIPTION

The CM11 is a ceiling mount for the PD20xx-series PTZ cameras.



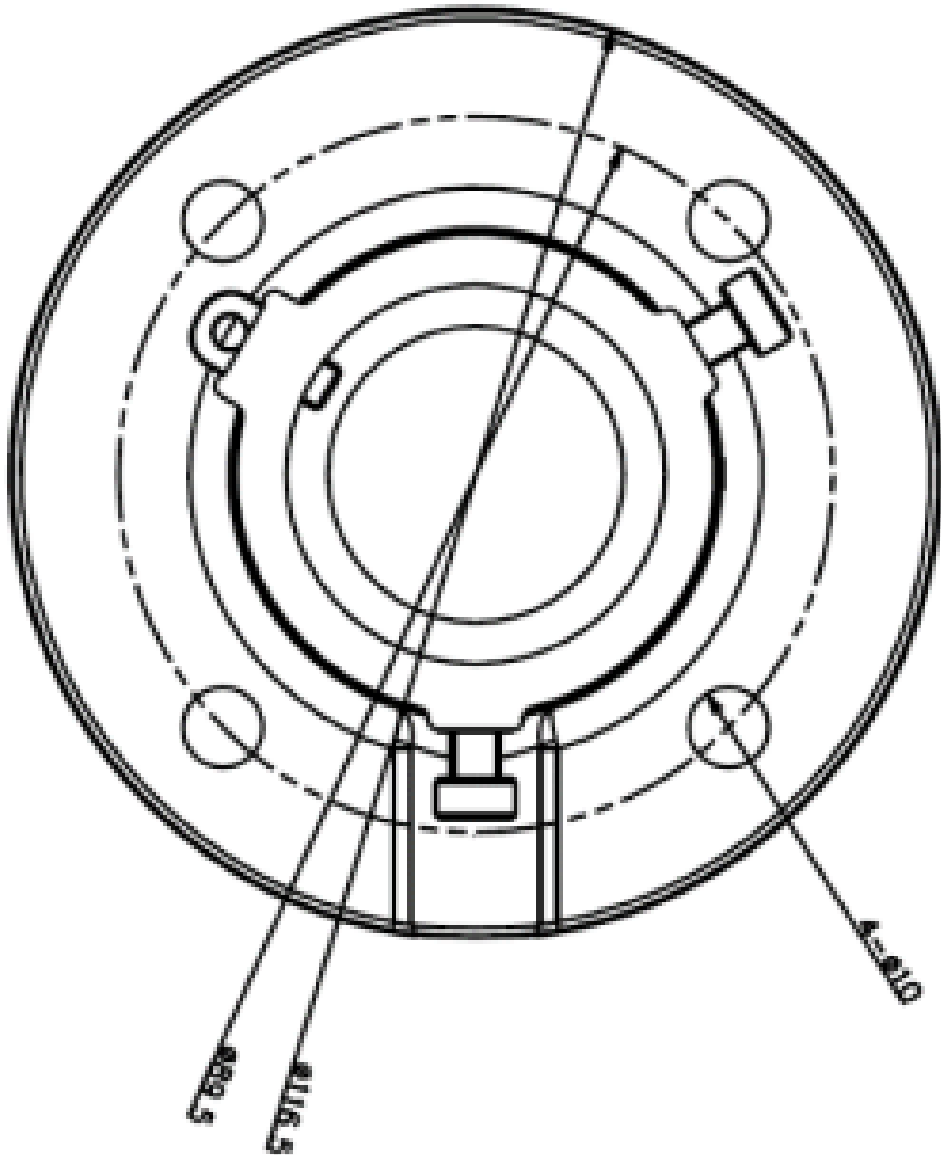
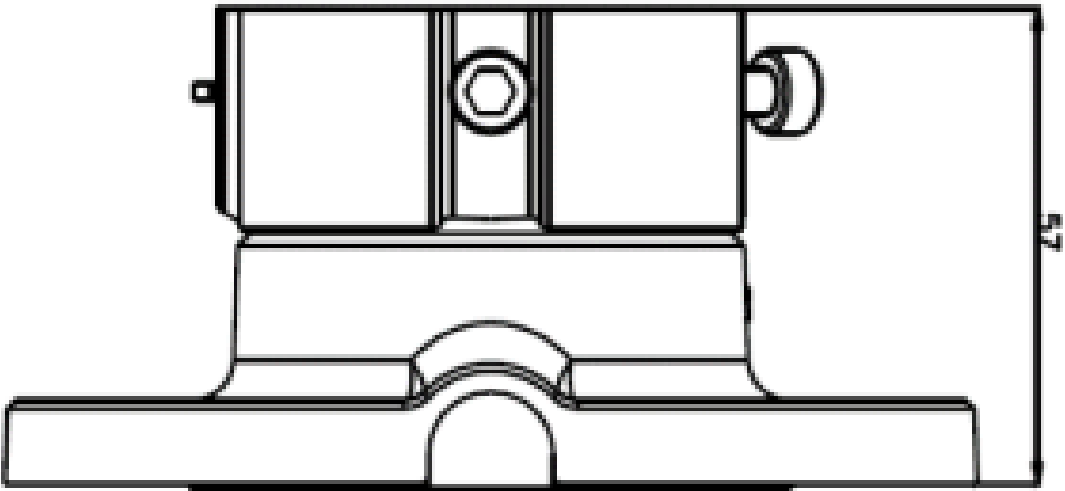
**Mechanical**

Material	Aluminium alloy
Color	RAL 9003 (signal white)
Dimensions (H x W x D)	57 mm diameter117 mm (2.24" diameter4.6")
Weight	380 g (0.84 lb.)

**Ordering Information**

CM11	Ceiling mount, for PD20xx-series PTZ cameras
------	--





Unit: mm



## RELATED

---



**TKH Security WM12**  
Wall mount, for PD20xx PTZ dome series

---



**TKH Security WM12B**  
Wall mount with junction box, for PD20xx PTZ dome series

---



**TKH Security PM07**  
Pole mount, for PD20xx PTZ dome series

---



**TKH Security PM07B**  
Pole mount with junction box, for PD20xx PTZ dome series

---



**TKH Security WM17**  
Corner mount, for PD20xx PTZ dome series

---



**TKH Security WM17B**  
Corner mount with junction box, for PD20xx PTZ dome series

---



**TKH Security CM15**  
Ceiling mount, for PD20xx-series PTZ cameras, 25cm

---



**TKH Security WM16**  
Gooseneck mount, for PD20xx PTZ dome series

---