

CTA02

Cable tail adapter for PD950, PD980 (Preliminary)

DESCRIPTION

*** Preliminary datasheet ***

The CTA02 is a cable tail adapter, for PD950, PD980. It converts the camera into a cable tail model. It also includes an anti-drop protection inside. NPT 1.5" tapered for use with third party mounts.

FEATURES

Aluminum

NPT 1.5" tapered

3-opening gland



Features

The CTA02 is a cable tail adapter. It essentially converts the camera into a model that connects using a cable tail rather than the standard connection terminals on the inside of the camera. The CTA02 will convert the camera into an intrinsically waterproof one, such that no special installation attention is required for the mounting, particularly to third party mounts. The used cable or cables are sealed by means of a sturdy gland on top of the CTA02, allowing up to three cables to be used.

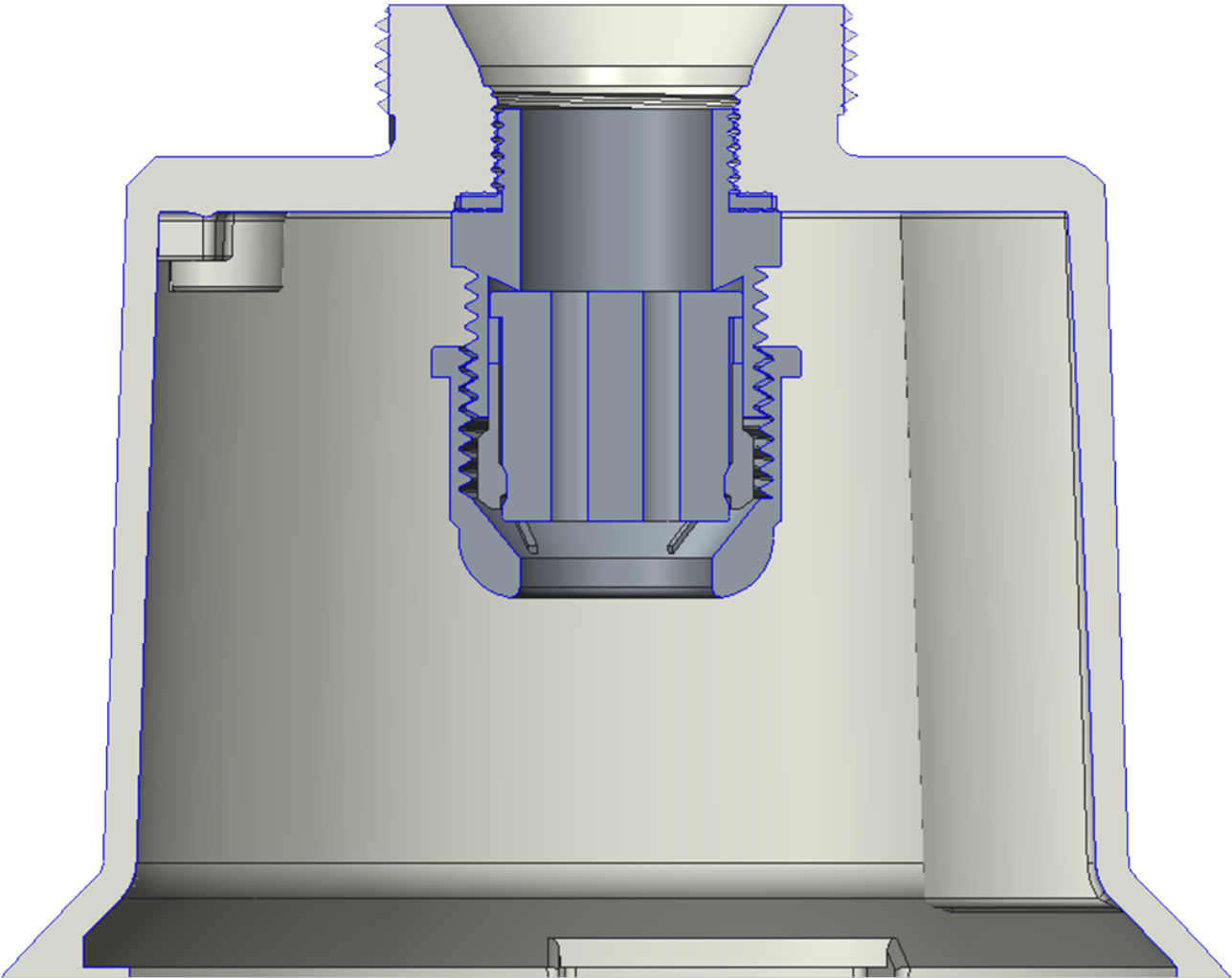
Inside the CTA02, an anti-drop protection cable is pre-assembled. This allows for easy and safe installation of the camera.

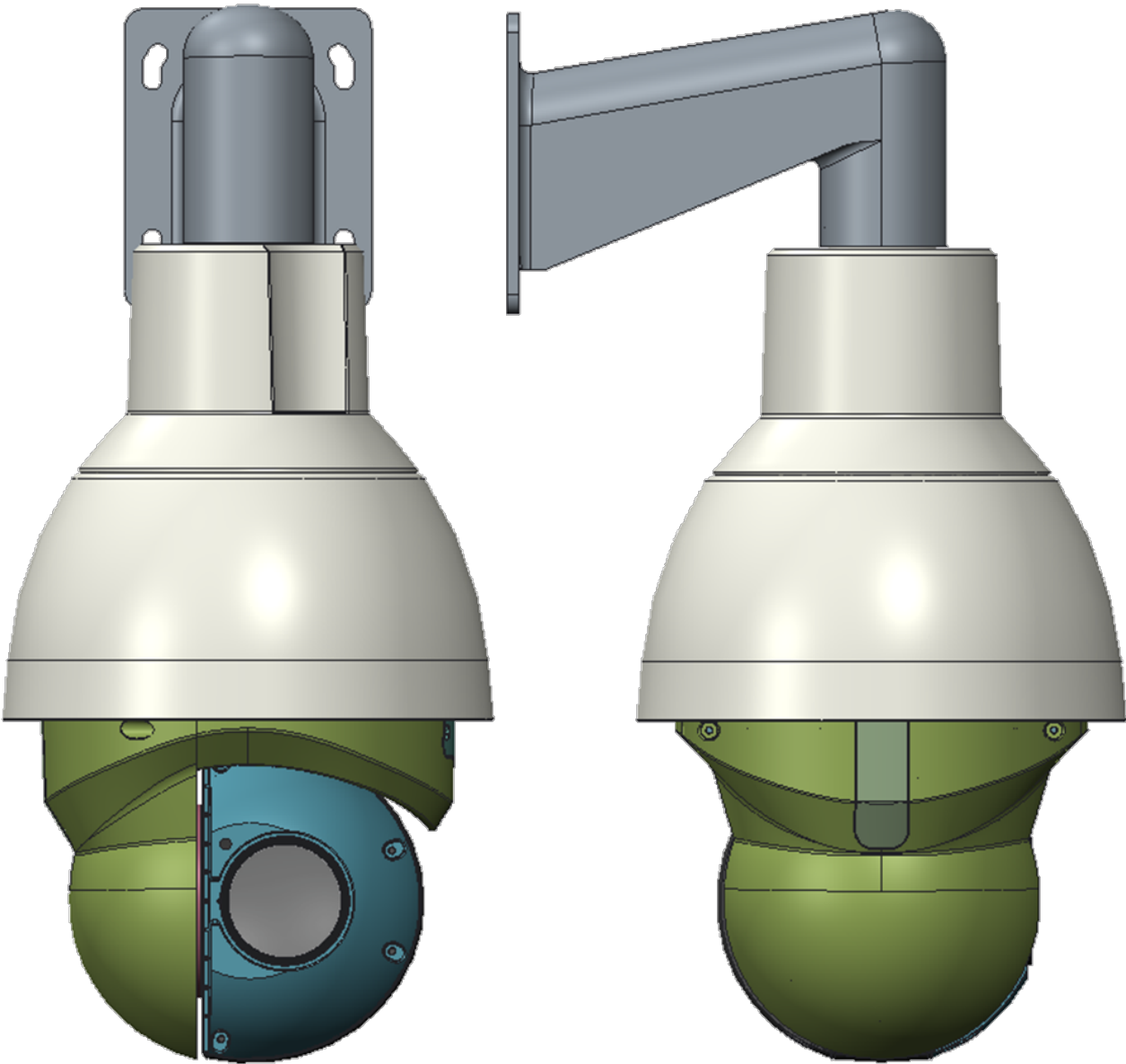
Mechanical

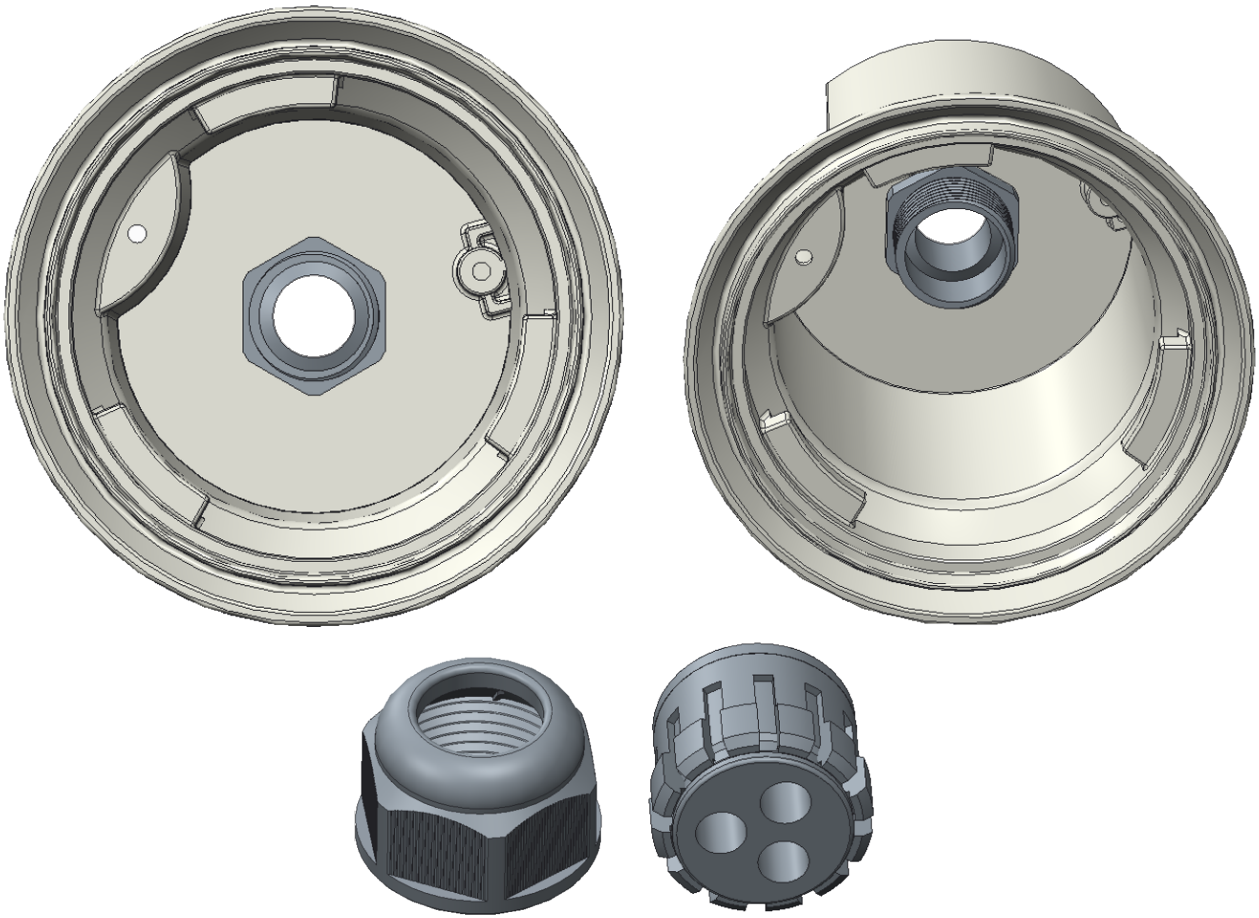
Material	Aluminum, Plastic
Color	Signal White
Dimensions (H x W x D)	xx
Weight	xx

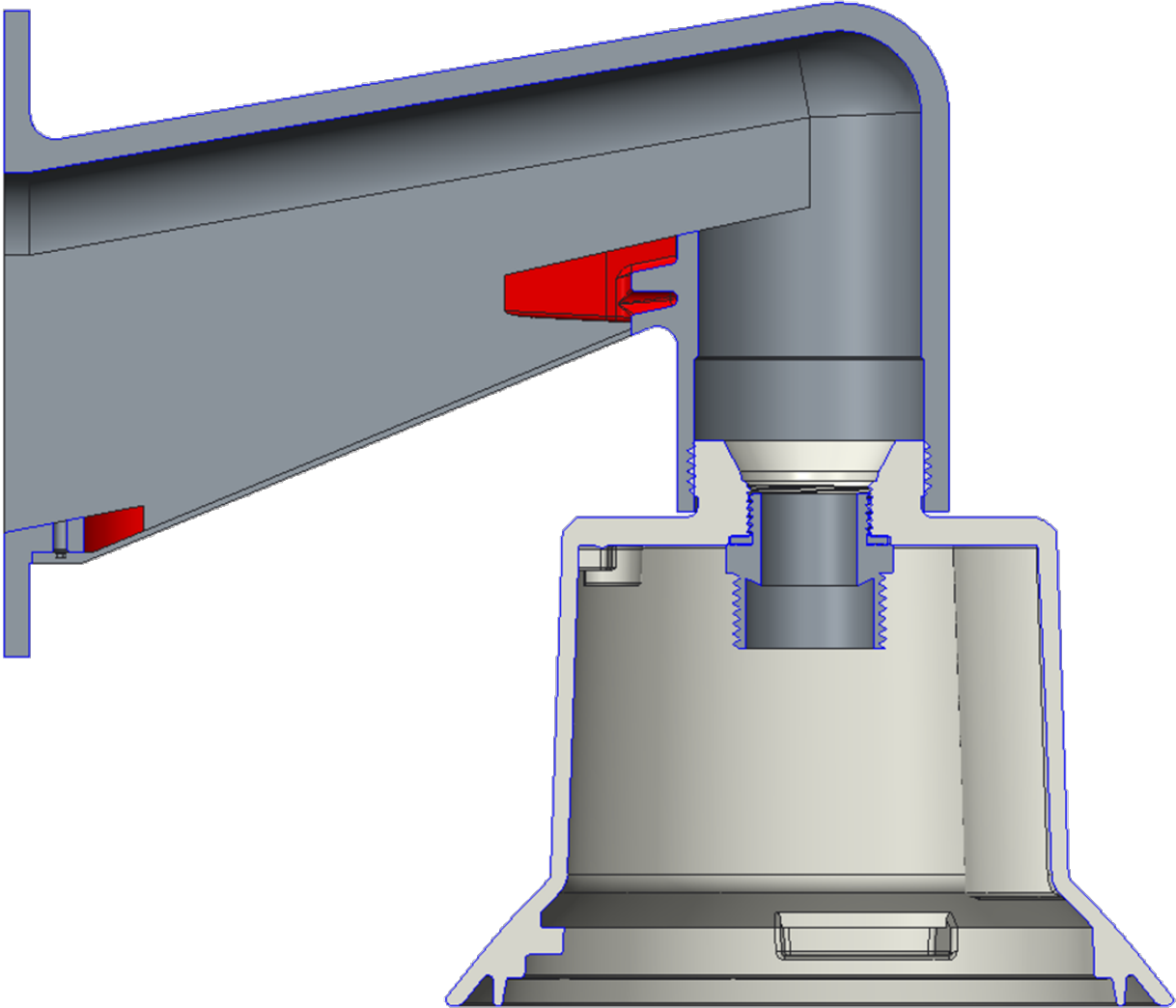
Ordering Information

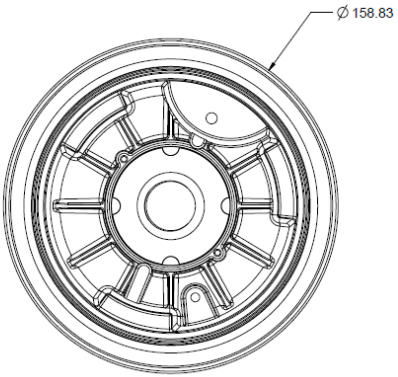
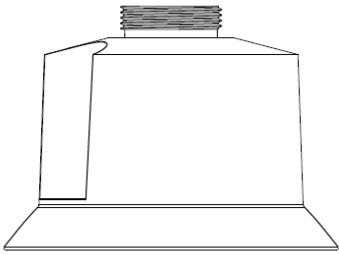
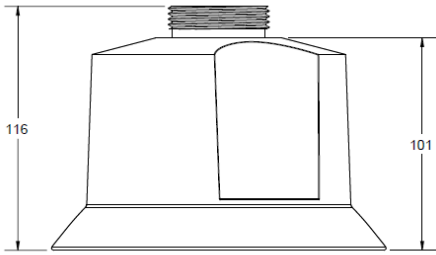
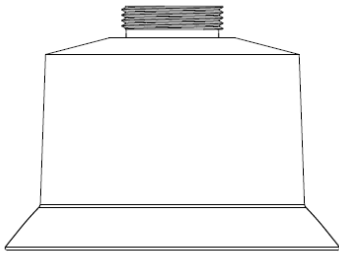
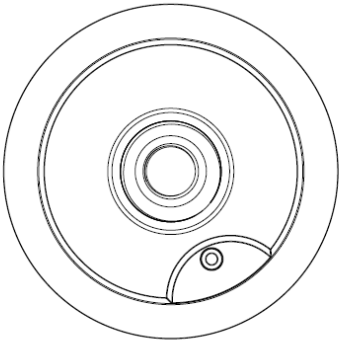
CTA01	Cable tail adapter for PD950, PD980
-------	-------------------------------------











RELATED



TKH Security PD950
5MP intelligent IP outdoor PTZ camera 40x zoom, IR, Wiper



TKH Security PD980
8 MP high-speed PTZ camera with 31x zoom, IR, Wiper
