

EX-FIX T SERIES

EX Fixed Thermal Camera 316L

DESCRIPTION

The EX-FIX T camera housing is a rugged corrosion proof thermal camera housing designed for use in hazardous areas in onshore, offshore, marine and heavy industrial environments. The housing is not sold separately, it is only available in combination with a Siqura TC-336 and TC-640 thermal module and an interface/cable tail (INT-RJ/SM/MM).

FEATURES

Corrosion protected 316L stainless-steel

ATEX, IECEx, UKEX and INMETRO certified

Grid protected germanium window (diameter 50 mm)

Suited for 9, 13, 19, 25, 35, 50 mm thermal lenses

IP66 / IP67

Integrated power supply (24, 115 or 230 Vac)

Integrated heater

Electro-polished 316L sun-shield

Optional direct to fiber

Low maintenance



Description

Corrosion free 316L construction

The EX-FIX T housing is designed for thermal imaging in hazardous areas in onshore, offshore, marine and heavy industrial environments. 100% of the camera housing is made of corrosion proof 316L steel, protected against salty and sulfur rich environments. The hard carbon coated germanium window is additionally protected by a 316L grid.

ATEX, IECEx, UKEX and INMETRO certified

The EX-FIX T is fully certified for hazardous areas zone 1 and 2 for gas and zone 21 and 22 for dust for Europe (ATEX), world-wide (IECEx), United kingdom (UKEX), and for Brazil (INMETRO). The certification includes the thermal module from the TC-336 or TC-640 series.

Mechanical	
Certification	ATEX; IECEX, INMETRO, UKEX
Rating	Ex db op pr IIC T6 Gb -40°C Tamb +60°C Ex tb III C T85°C Db -40°C Tamb +60°C Ex db op pr IIB T5 Gb -40°C Tamb +75°C Ex tb IIIC T100°C Db -40°C Tamb +75°C
Ingress protection rating	IP66 / IP67
Impact rating (casing)	IK10
Body material	Electro-polished 316L stainless steel
Window	AR/DLC germanium window
- Size	diameter 50 mm; with protective grid
Sunshield	Standard
Operating temperature (Tamb)	-40 °C to +75 °C (-40 °F to +167 °F)
Relative humidity	5% to 100%
Cable entry	2x M25x1.5
Weight	12 kg

Electrical			
Power rating	EX-FIX24T	EX-FIX115T	EX-FIX230T
	24 Vac +/-10%	115 Vac +/-10%	230 Vac +/-10%
	50/60Hz	50/60Hz	50/60Hz
Max power consumption	25 W	25 W	25 W
Internal Heater	Standard		
- Heater control	On:12°C +/- 4°C; Off: 20°C +/- 3°C		

Ordering information	
EX-FIX24T	EX Fixed Thermal Camera 316L 24VAC
EX-FIX115T	EX Fixed Thermal Camera 316L 115VAC
EX-FIX230T	EX Fixed Thermal Camera 316L 230VAC

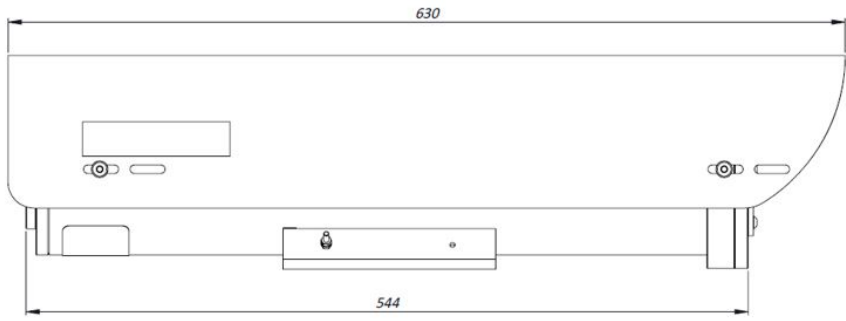
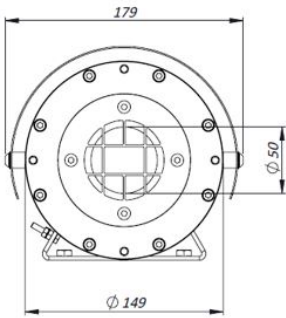
Maintenance kits	
EX-MK F	Maintenance kit EX Fixed camera: O-Ring, screws, desiccant bags

Housing	Optical camera			Thermal camera		Interface					
	BC822v2H3-AS	BC980H2-AS	BC840v2-M04-AS	TC(R1) ² -336	TC(R1) ² -640	INT-RJ	INT-RJ5 INT-RJ10	INT-SM	INT-SM5 INT-SM10	INT-MM	INT-MM5 INT-MM10
EX-FIX24 ¹	✓	✓	✓			✓	✓	✓	✓	✓	✓
EX-FIX24W	✓	✓	✓			✓	✓	✓	✓	✓	✓
EX-FIX24T				✓	✓	✓	✓	✓	✓	✓	✓
EX-PTZ24	✓	✓	✓			✓	✓	✓	✓	✓	✓
EX-PTZ24T				✓	✓	✓	✓	✓	✓	✓	✓
EX-PTZ24D	✓	✓	✓	✓	✓	✓	✓	✓ ³	✓ ³	✓ ³	✓ ³
EX-PTZ24D-IR	✓	✓	✓			✓	✓	✓	✓	✓	✓

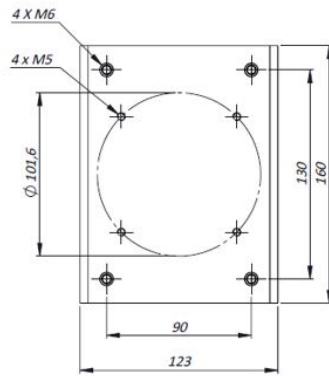
¹: This table also applies to the EX cameras versions for 115 Vac and 230 Vac.

²: R1 version is needed for hot-spot detection.

³: Special arrangements needed. Please contact TKH Security.



Mounting pattern:



RELATED



Siqura
EX Fixed Thermal Camera 316L



Siqura INT-RJ / INT-SM / INT-MM (EoL)
Network Interface and cable tail of the Siqura SA or EX cameras



Siqura EX-JB01
316L Ex e termination box for EX cameras



Siqura EX mounting accessories
316L Mounting accessories for the EX-FIX and EX-PTZ series
