

EX-FIX SERIES

EX Fixed Camera 316L

DESCRIPTION

The EX-FIX camera housing is a rugged corrosion proof camera housing designed for use in hazardous areas in onshore, offshore, marine and heavy industrial environments. The camera housing is constructed from electro-polished 316L stainless steel for maximum corrosion protection and is fitted with an 316L sun-shield and a thermostatically controlled heater element. The housing is not sold separately, it is only available in combination with a Siqura daylight camera module, such as the BC822v2H3-AS, and an interface (INT-RJ/SM/MM).

FEATURES

Corrosion protected 316L stainless-steel

ATEX and IECEx certified for gas and dust

IP66 / IP67

Integrated power supply (24, 115 or 230 Vac)

Integrated heater

Electro-polished 316L sun-shield

Optional direct to fiber

Low maintenance



Description

Corrosion free 316L construction

The EX-FIX housing is designed for use in hazardous areas in onshore, offshore, marine and heavy industrial environments. 100% of the camera housing is made of corrosion proof 316L steel, protected against salty and sulfur rich environments.

ATEX and IECEx certified

The EX-FIX is fully ATEX and IECEx certified for hazardous areas zone 1 and 2 for gas and zone 21 and 22 for dust. Within the certification the camera housing shall be equipped by the BC822v2H3-AS or equivalent IP camera and a 5 or 10 m multicable cable tail as defined by INT-RJ, INT-SM, or INT-MM. INT-RJ for CAT5e connections and INT-SM or INT-MM for direct to fiber.

Mechanical	
Certification	ATEX; IECEx
Rating	Ex db op pr IIC T6 Gb -40°C Tamb +60°C
	Ex tb III C T85°C Db -40°C Tamb +60°C
	Ex db op pr IIB T5 Gb -40°C Tamb +75°C
	Ex tb IIIC T100°C Db -40°C Tamb +75°C
Ingress protection rating	IP66 / IP67
Body material	Electro-polished 316L stainless steel
Window	High-grade Optical Tempered Glass
- Size	diameter 75 mm; 10 mm thick
Sunshield	Standard
Operating temperature (Tamb)	-40 °C to +75 °C (-40 °F to +167 °F)
Relative humidity	5% to 100%
Cable entry	2x M25x1.5
Weight	12.5 kg

Electrical			
Power rating	EX-FIX24	EX-FIX115	EX-FIX230
	24 Vac +/-10%	115 Vac +/-10%	230 Vac +/-10%
	50/60Hz	50/60Hz	50/60Hz
Max power consumption	25 W	25 W	25 W
Internal Heater	Standard		
- Heater control	On:12°C +/- 4°C; Off: 20°C +/- 3°C		
- Heater power dissipation	10 W		

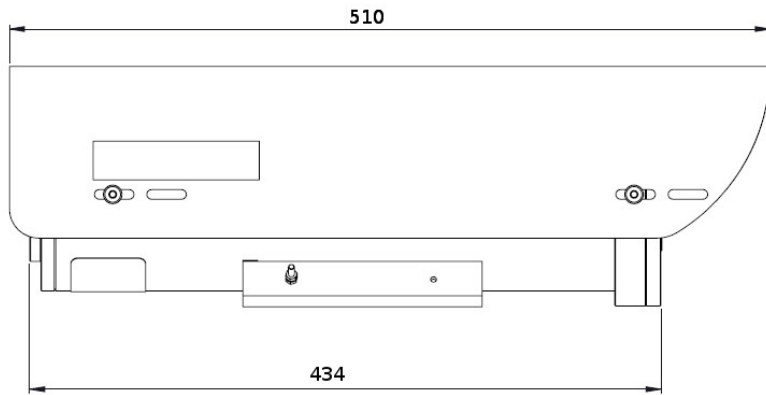
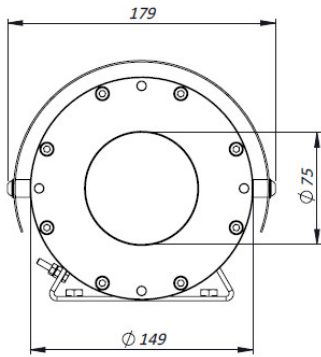
Ordering information	
EX-FIX24	EX Fixed Camera 316L 24VAC
EX-FIX115	EX Fixed Camera 316L 115VAC
EX-FIX230	EX Fixed Camera 316L 230VAC

Maintenance kits	
EX-MK F	Maintenance kit EX Fixed camera: O-Ring, screws, desiccant bags

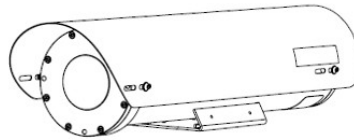
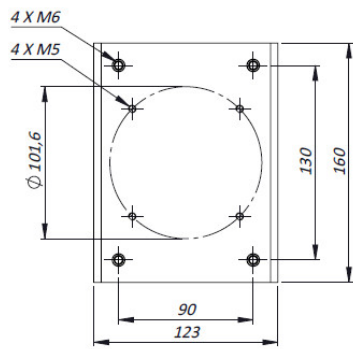
COMPATIBILITY MATRIX

Housing	Optical camera		Thermal camera			Interface			
	BC822v2H3-SA	TC(R1)-336	TC(R1)-640	INT-RJ	INT-RJ5 INT-RJ10	INT-SM	INT-SM5 INT-SM10	INT-MM	INT-MM5 INT-MM10
EX-FIX24	✓			✓	✓	✓	✓	✓	✓
EX-FIX24W	✓			✓	✓	✓	✓	✓	✓
EX-FIX24T		✓	✓	✓	✓	✓	✓	✓	✓
EX-PTZ24	✓			✓	✓	✓	✓	✓	✓
EX-PTZ24T		✓	✓	✓	✓	✓	✓	✓	✓
EX-PTZ24D	✓	✓	✓	✓	✓				

This charts also applies to the EX cameras versions for 115 Vac and 230 Vac.



MOUNTING PATTERN



RELATED



Siqura BC822v2H3-AS

Assembly 33x zoom IP camera, 3MP, AF, Day/night, H.265/H.264



Siqura INT-RJ / INT-SM / INT-MM

Network Interface and cable tail of the Siqura SA or EX cameras



Siqura Ex e Termination Box

316L Ex e termination box for EX cameras



Siqura EX mounting accessories

316L Mounting accessories for the EX-FIX and EX-PTZ series
