

EX MOUNTING ACCESSORIES

316L Mounting accessories for the EX-FIX and EX-PTZ series

DESCRIPTION

Robust and corrosion-free mounting accessories for the EX-FIX and EX-PTZ Ex camera series

FEATURES

316L corrosion free stainless steel

Suited for onshore, offshore, marine, and heavy industry

Robust and easy to install

EX-FIX and EX-PTZ series

Hazardous Area accessories



Description

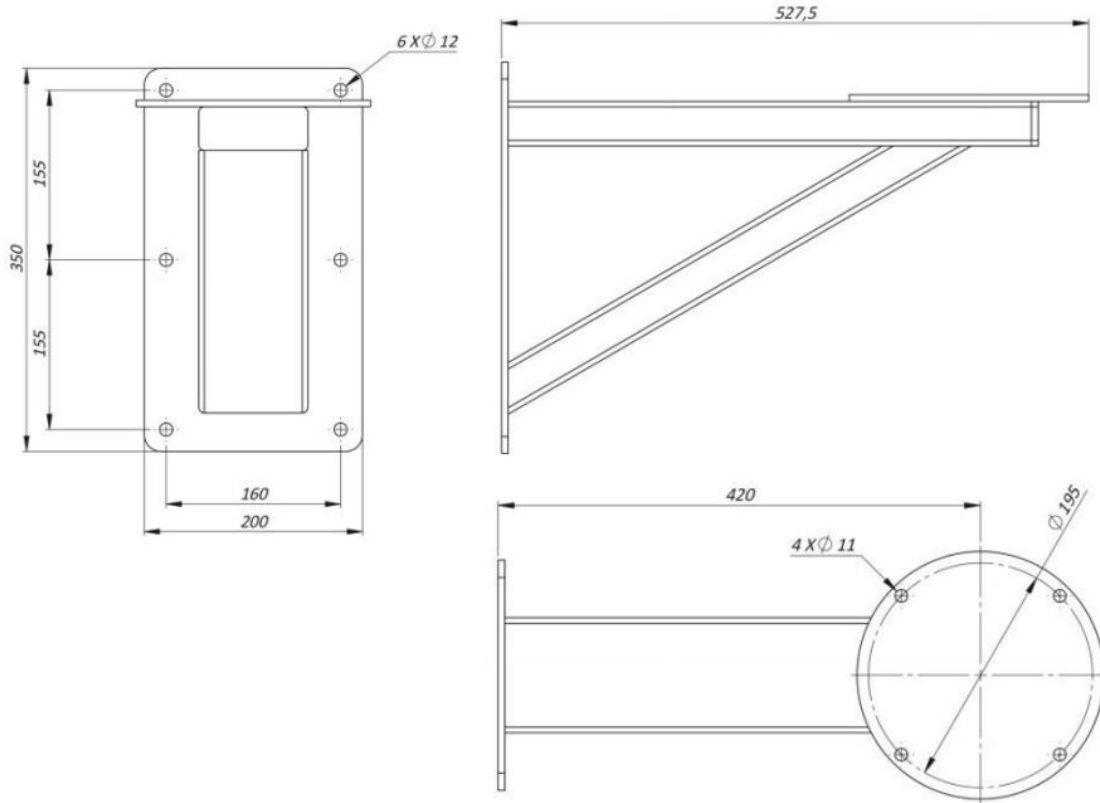
Robust 316L mounting brackets for the hazardous areas. Special brackets for the EX-FIX and EX-PTZ series camera housings.

Ordering information

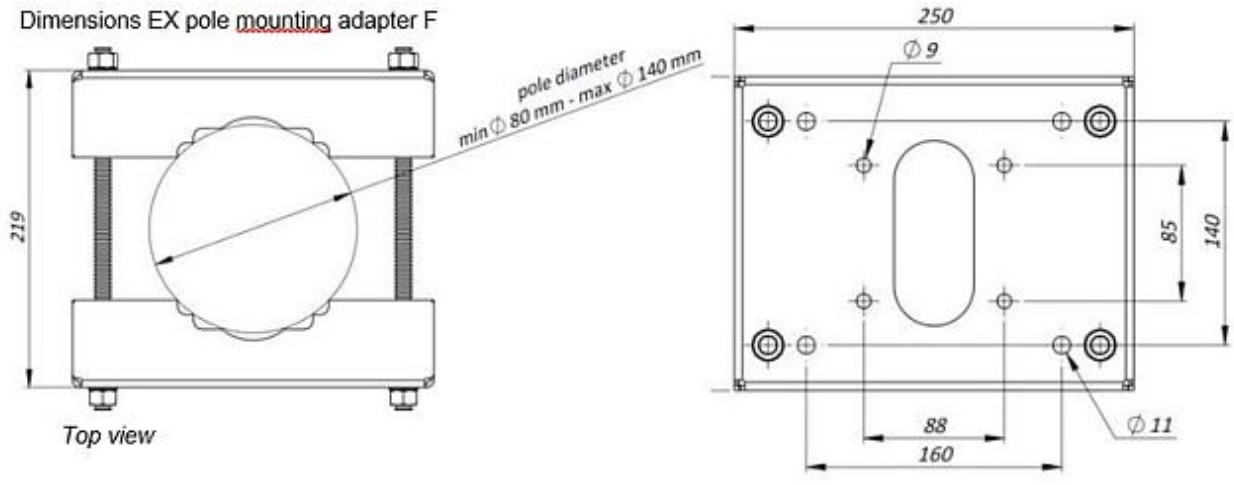
EX pole mounting adapter F	316L pole mounting adapter for EX wall mounting bracket F (5 kg)
EX Pole Top Mounting F	316L Pole TOP Mounting bracket for EX fixed camera housing (2 kg)
EX wall mounting bracket F	316L wall mounting bracket for EX fixed camera housings (5 kg)
EX wall mounting bracket PTZ	316L wall mounting bracket for EX PTZ camera stations (8 kg)

EX WALL MOUNTING BRACKET PTZ DIMENSIONS

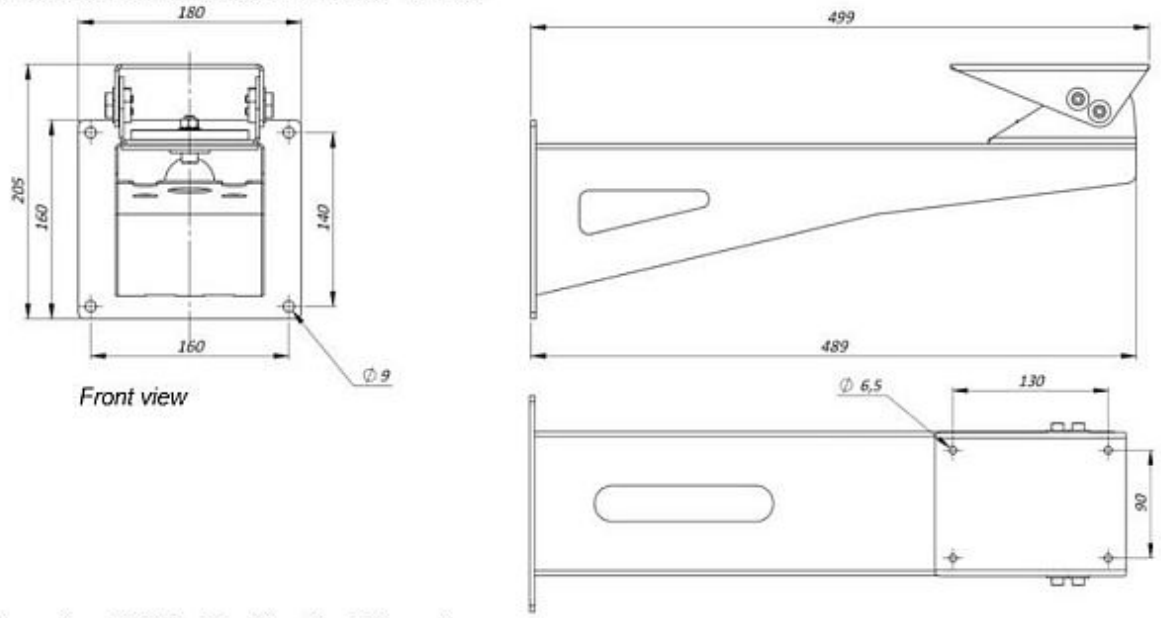
Dimensions EX wall mounting bracket PTZ (in mm)



Dimensions EX pole mounting adapter F



Dimensions EX wall mounting bracket F (in mm)



Dimensions EX Pole Top Mounting F (in mm)

