

EX-PTZ SERIES

EX PTZ Camera 316L

DESCRIPTION

The EX-PTZ camera housing is a rugged corrosion proof PTZ camera station designed for use in hazardous areas in onshore, offshore, marine and heavy industrial environments. The housing is not sold separately, it is only available in combination with a Siqura daylight camera module, such as the 33x zoom BC822v2H3-AS, 22x zoom 4K BC980H2-AS, or 4x zoom BC840v2-M04-AS, and an interface/cable tail (INT-RJ/SM/MM)

FEATURES

Corrosion protected 316L stainless-steel

ATEX, IECEx, UKEX and INMETRO certified

IP66 / IP67

Integrated power supply (24, 115 or 230 Vac)

Integrated heater and wiper

Electro-polished 316L sun-shield

Optional direct to fiber

Low maintenance



Description

Corrosion free 316L construction

The PTZ camera station is made of corrosion proof 316L stainless steel body suited to operate in salty or sulfur rich environments.

Day-light camera

The EX-PTZ is to be fitted with Siquira's 30x zoom ip camera, the bc822v2H3-AS or the 22x zoom 4K camera, BC980H2-AS. The camera is standard equipped with an integrated wiper and prepared for a washer installation. A 10 liter pressurized washer tank can be obtained separately.

ATEX, IECEx, UKEX and INMETRO certified

The EX-PTZ is fully certified for hazardous areas zone 1 and 2 for gas and zone 21 and 22 for dust for Europe (ATEX), world-wide (IECEx), United kingdom (UKEX), and for Brazil (INMETRO). The certification includes the optical camera modules (BC822v2H3-AS or BC980H2 or BC840v2-M04-AS).

Integrated heater

The housing comes with a built-in thermal controlled heater. It regulates the humidity inside the camera and prevents ice or condensation forming on the optical window.

| Mechanical | |
|------------------------------|--|
| Certification | ATEX; IECEX, INMETRO, UKEX |
| Rating | Ex db op pr IIC T6 Gb -40°C Tamb +60°C Ex tb III C T85°C Db -40°C Tamb +60°C Ex db op pr IIB T5 Gb -40°C Tamb +75°C Ex tb IIIC T100°C Db -40°C Tamb +75°C |
| Ingress protection rating | IP66 / IP67 |
| Impact rating (casing) | IK10 |
| Body material | Electro-polished 316L stainless steel |
| Optical Window | High-Grade Tempered Optical Glass |
| - Size | diameter 75 mm; 10 mm thick |
| Sunshield | Standard |
| Rotation | 360° Continuous rotation |
| Tilt angle | +90° to -90° |
| Variable speed | up to 36°/sec pan and 18°/sec tilt (peak) |
| Drive mechanism | Direct drive |
| Backlash | 0.1° |
| Preset accuracy | 0.04° |
| Operating temperature (Tamb) | -20 °C to +75 °C (-4 °F to +167 °F) |
| Relative humidity | 5% to 100% |
| Cable entry | 1x M25x1.5 |
| Weight | 33 kg |

| Electrical | | | |
|-----------------------|------------------------------------|----------------|----------------|
| Power rating | EX-PTZ24 | EX-PTZ115 | EX-PTZ230 |
| | 24 Vac +/-10% | 115 Vac +/-10% | 230 Vac +/-10% |
| | 50/60Hz | 50/60Hz | 50/60Hz |
| Max power consumption | 95W | 95W | 95W |
| Internal Heater | Standard | | |
| - Heater control | On:12°C +/- 4°C; Off: 20°C +/- 3°C | | |
| Integrated wiper | Standard | | |

| Ordering information | |
|----------------------|---------------------------|
| EX-PTZ24 | EX PTZ Camera 316L 24VAC |
| EX-PTZ115 | EX PTZ Camera 316L 115VAC |
| EX-PTZ230 | EX PTZ Camera 316L 230VAC |

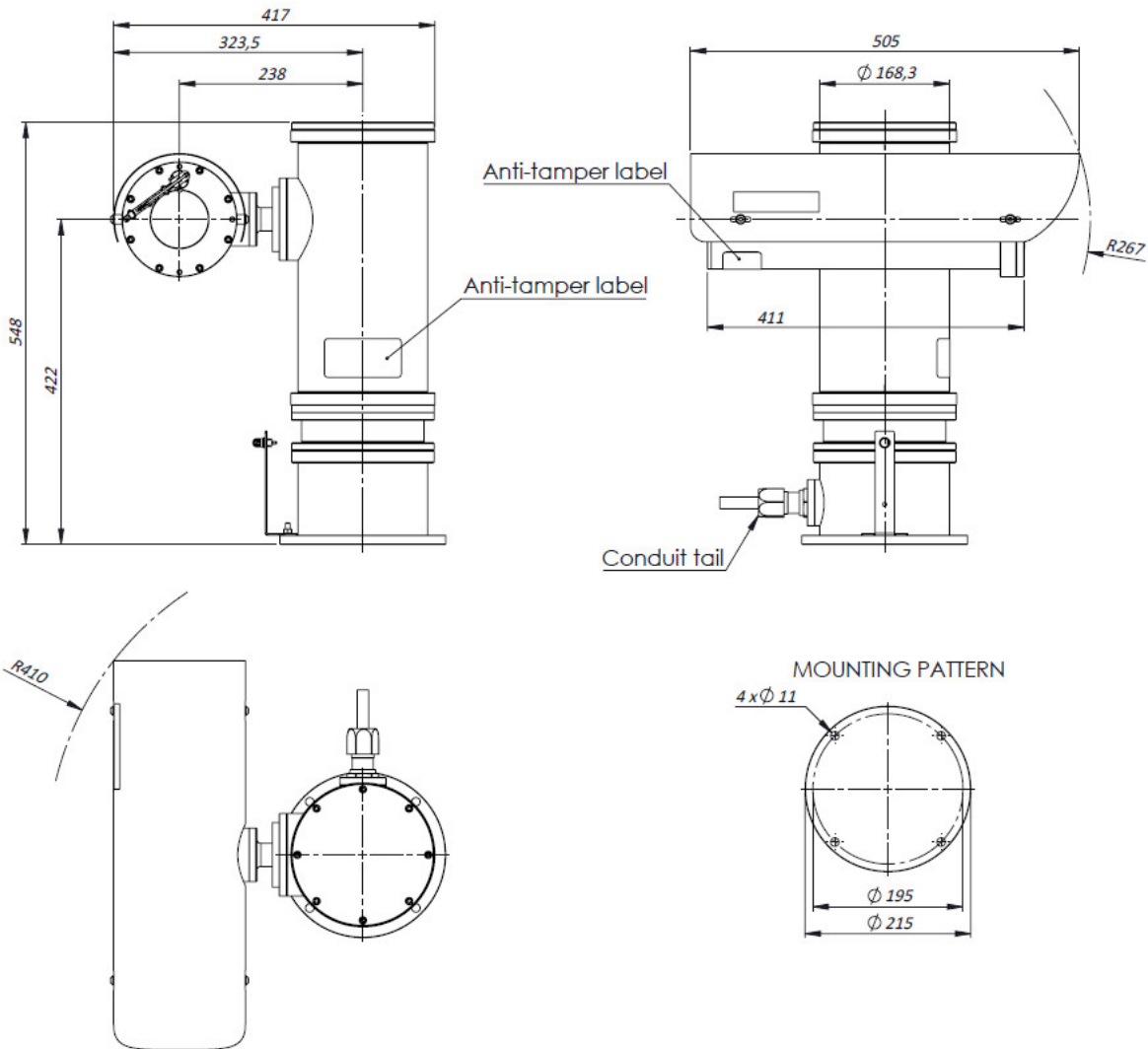
| Maintenance kits | |
|------------------|---|
| EX-MK PTZ | Maintenance kit EX PTZ camera: O-Ring, screws, desiccant bags |
| EX/SA-Wiper | Replacement for Stainless steel wiper (complete assembly) |

| Housing | Optical camera | | | Thermal camera | | Interface | | | | | |
|-----------------------|----------------|------------|----------------|--------------------------|--------------------------|-----------|---------------------|----------------|---------------------|----------------|---------------------|
| | BC822v2H3-AS | BC980H2-AS | BC840v2-M04-AS | TC(R1) ² -336 | TC(R1) ² -640 | INT-RJ | INT-RJ5 INT-RJ10 | INT-SM | INT-SM5 INT-SM10 | INT-MM | INT-MM5 INT-MM10 |
| EX-FIX24 ¹ | ✓ | ✓ | ✓ | | | ✓ | ✓ | ✓ | ✓ | ✓ | ✓ |
| EX-FIX24W | ✓ | ✓ | ✓ | | | ✓ | ✓ | ✓ | ✓ | ✓ | ✓ |
| EX-FIX24T | | | | ✓ | ✓ | ✓ | ✓ | ✓ | ✓ | ✓ | ✓ |
| EX-PTZ24 | ✓ | ✓ | ✓ | | | ✓ | ✓ | ✓ | ✓ | ✓ | ✓ |
| EX-PTZ24T | | | | ✓ | ✓ | ✓ | ✓ | ✓ | ✓ | ✓ | ✓ |
| EX-PTZ24D | ✓ | ✓ | ✓ | ✓ | ✓ | ✓ | ✓ | ✓ ³ | ✓ ³ | ✓ ³ | ✓ ³ |
| EX-PTZ24D-IR | ✓ | ✓ | ✓ | | | ✓ | ✓ | ✓ | ✓ | ✓ | ✓ |

¹: This table also applies to the EX cameras versions for 115 Vac and 230 Vac.

²: R1 version is needed for hot-spot detection.

³: Special arrangements needed. Please contact TKH Security.



RELATED



Siqua BC822v2H3-AS

Assembly 33x zoom IP camera, 3MP, AF, Day/night, H.265/H.264



TKH Security BC980H2-AS

8MP IP Box camera with integrated 22x zoom lens



Siqua INT-RJ / INT-SM / INT-MM

Network Interface and cable tail of the Siqua SA or EX cameras



Siqua EX-JB01

316L Ex e termination box for EX cameras



Siqua EX WP10

10 litres pressurized water tank in 316L cabinet



Siqua EX mounting accessories

316L Mounting accessories for the EX-FIX and EX-PTZ series
