

EX3-FIX SERIES

3rd Generation EX FIX Camera 316L

DESCRIPTION

The EX3-FIX camera housing is an innovative, rugged, and corrosion proof camera station made for use in hazardous areas in onshore, offshore, marine and heavy industrial environments. The EX3 camera station is designed for easy installation and on-site repairs. The FIX housing is not sold separately, it is only available in combination with a Siqura daylight camera module, such as the 33x zoom BC822v2H3-AS, 22x zoom 4K BC980H2-AS, or 4x zoom BC840v2-M04-AS, and an interface/cable tail (INT3-RJ/SM/MM)

FEATURES

Corrosion protected 316L stainless-steel

ATEX, IECEx, UKEX and INMETRO certified

Nema-4X, IP66, IP68 and IP69

Integrated power supply (24, 120 or 230 Vac)

Integrated heater and optional wiper

Electro-polished 316L sun-shield

Optional direct to fiber



Description

Corrosion free 316L construction

The EX3-FIX housing is designed for use in hazardous areas in onshore, offshore, marine and heavy industrial environments. The camera housing is made of corrosion proof 316L steel, protected against salty and sulfur rich environments.

Optical camera

The EX3-FIX is to be fitted with one of the TKH Security -AS cameras, such as the 33x zoom bc822v2H3-AS, the 22x zoom 4K BC980H2-AS or the BC840v3-Mxx-AS series. The camera is standard equipped with an integrated wiper and prepared for an installation with a washer. A 10 liter pressurized washer tank (EX-WP10) can be obtained separately.

ATEX, IECEx, UKEX and INMETRO certified

The EX3-FIX is fully certified for hazardous areas zone 1 and 2 for gas and zone 21 and 22 for dust for Europe (ATEX), world-wide (IECEx), United Kingdom (UKEX), and for Brazil (INMETRO*). The certification includes the optical camera modules.

Integrated heater

The housing comes with a built-in thermally controlled heater. It regulates the humidity inside the camera and prevents ice or condensation from forming on the optical window.

(c) 20250210

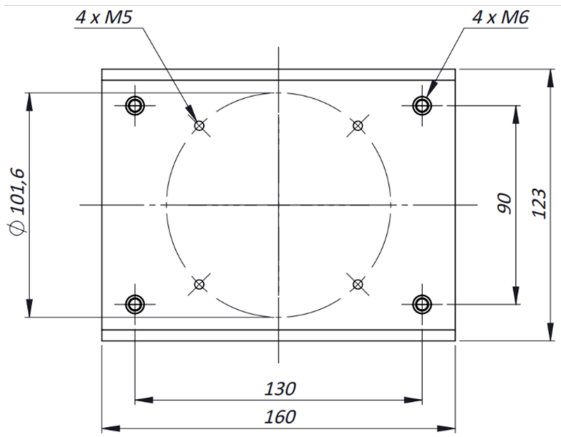
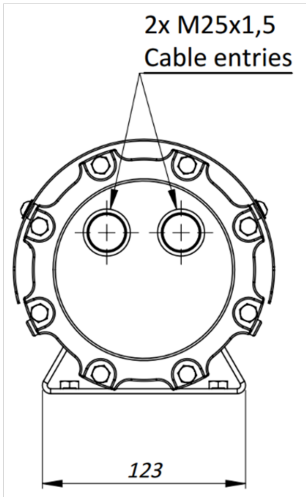
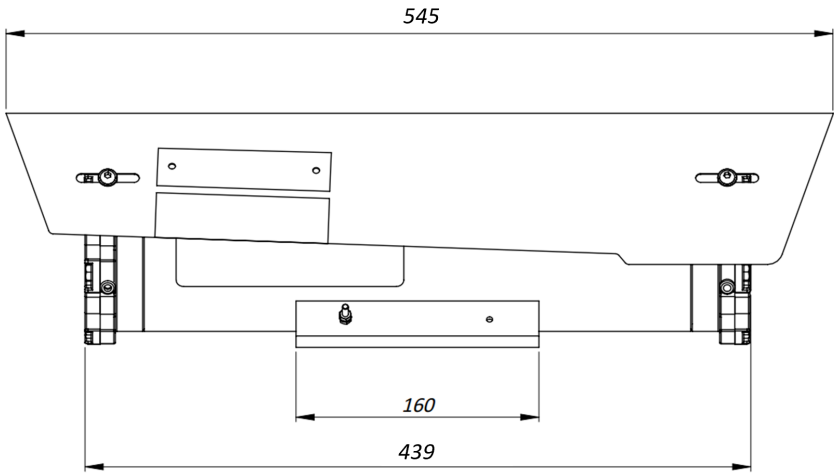
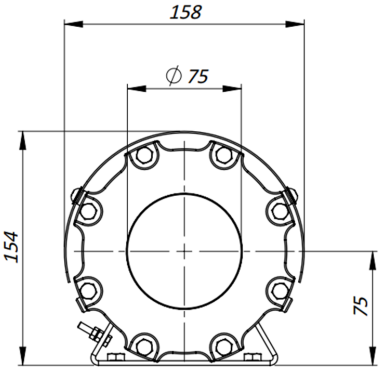
Mechanical	
Body material	Electro-polished 316L stainless steel
Optical Window	High-Grade Tempered Optical Glass
- Size	diameter 75 mm; 10 mm thick
Sunshield	Standard
Ambient temperature (Tamb)	-60 °C to +60°C, +75 °C peak
- Cold start	-30°C
Relative humidity	5% to 100%
Cable entry	2x M25x1.5
Weight	10.5 kg (Packaged: 12 kg)

Certifications	
Certification	ATEX; IECEX, UKEX, INMETRO
Rating	II 2 G Ex db IIC T6/5/4 Gb -60°C Tamb +60/75/80°C II 2 D Ex tb IIIC T85/100/135°C Db -60°C Tamb +60/75/80°C
Ingress protection rating	IP66, IP68 (3m, 30min) and IP69, Nema-4x
Impact rating (casing)	IK10
Vibrations and shock	EN/IEC 60068-2-6; EN/IEC 60068-2-27; DNV-CG-0339
ATEX/UKEX Standards	EN 60079-0; EN 60079-1; EN 60079-31
IECEX Standards	IEC 60079-0; IEC 60079-1; IEC 60079-31
INMETRO Standards	ABNT NBR IEC 60079-0:2020 ABNT NBR IEC 60079-1:2016 ABNT NBR IEC 60079-31:2022
EMC	EN 55035; EN/IEC 61000-6-4; EN/IEC 61000-3-2; EN/IEC 61000-3-3; EN/IEC 61000-6-2; CISPR-32; CISPR-35
LVD	EN/IEC 62368-1

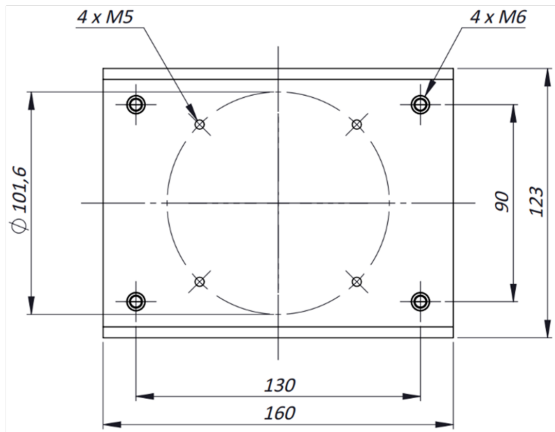
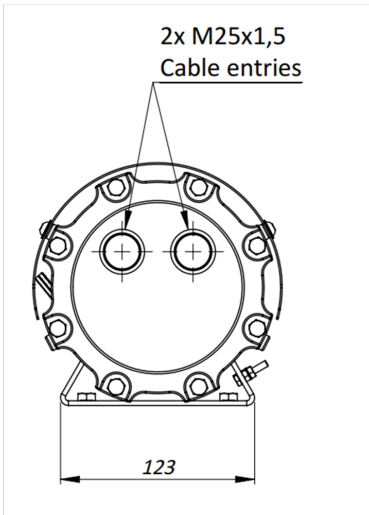
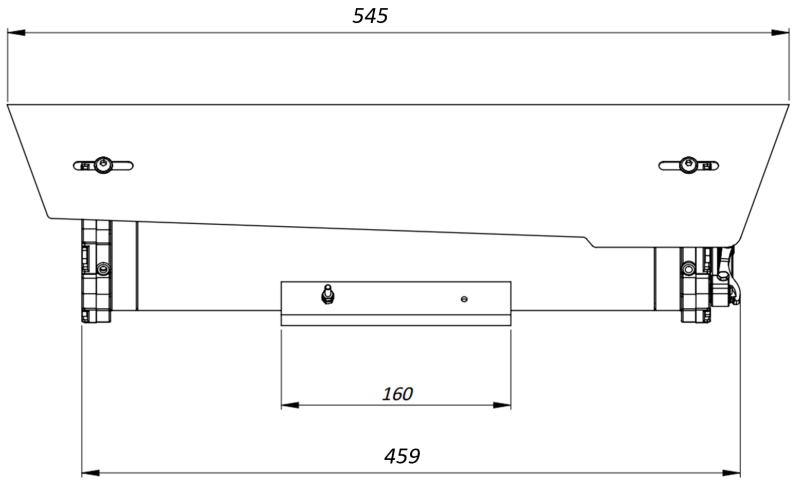
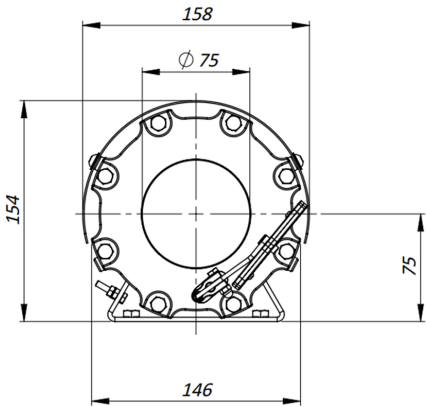
Electrical			
Power rating	EX3-FIX24	EX3-FIX120	EX3-FIX230
	24 Vac +/-10%	120 Vac +/-10%	230 Vac +/-10%
	50/60Hz	50/60Hz	50/60Hz
Max power consumption	40 W	40 W	40 W
Internal Heater	Standard		
- Heater control	On:12°C +/- 4°C; Off: 20°C +/- 3°C		
Integrated wiper	EX3-FIX W only		

Ordering information	
EX3-FIX24	3rd Gen EX FIX Camera 316L, 24VAC
EX3-FIX120	3rd Gen EX FIX Camera 316L 120VAC
EX3-FIX230	3rd Gen EX FIX Camera 316L 230VAC
EX3-FIX24W	3rd Gen EX FIX Camera 316L with wiper, 24VAC
EX3-FIX120W	3rd Gen EX FIX Camera 316L with wiper, 120VAC
EX3-FIX230W	3rd Gen EX FIX Camera 316Lwith wiper, 230VAC
Cable tails and interfaces	Refer to "Siqua INT3-RJ / INT3-SM / INT3-MM"

EX3-FIX DIMENSIONS IN MM



EX3-FIX W DIMENSIONS IN MM



RELATED



Siquira BC822v2H3-AS

Assembly 33x zoom IP camera, 3MP, AF, Day/night, H.265/H.264



TKH Security BC980H2-AS

8MP IP Box camera with integrated 22x zoom lens



Siquira INT3-RJ / INT3-SM / INT3-MM / INT3-EoC

Network Interface and cable tail of the Siquira SA3 or EX3 cameras



Siquira EX-JB01

316L Ex e termination box for EX cameras



Siquira EX WP10

10 litres pressurized water tank in 316L cabinet



Siquira EX mounting accessories

316L Mounting accessories for the EX-FIX and EX-PTZ series
