

# EX3-PTZ SERIES

## 3rd Generation EX PTZ Camera 316L

### DESCRIPTION

The EX3-PTZ camera housing is an innovative, rugged, and corrosion proof PTZ camera station made for use in hazardous areas in onshore, offshore, marine and heavy industrial environments. The EX3 camera station is designed for easy installation and on-site repairs. The PTZ housing is not sold separately, it is only available in combination with a Siqura daylight camera module, such as the 33x zoom BC822v2H3-AS, 22x zoom 4K BC980H2-AS, or 4x zoom BC840v2-M04-AS, and an interface/cable tail (INT3-RJ/SM/MM)

### FEATURES

Corrosion protected 316L stainless-steel

ATEX, IECEx, UKEX and INMETRO certified

Nema-4X, IP66, IP68 and IP69

Low stationary power consumption (<10W)

Integrated EX d Junction box

Integrated power supply (24, 115 or 230 Vac)

Integrated heater and wiper

Electro-polished 316L sun-shield

Optional direct to fiber



## Description

### Reliable and easy to maintain

The EX3-PTZ innovative design resulted in a highly reliable design with extended lifetime of the motors, high precision gear technology and improved accessibility. This improves not only the installation time, but also the reparability of the camera station over its lifetime, thus lowering the operational costs of the camera in general.

### Corrosion free 316L construction

The EX3-PTZ camera is made of corrosion proof 316L stainless steel body, maintenance free and suited to operate in an corrosive atmosphere.

### Low power consumption

The EX3-PTZ is characterized by in its low power consumption. While most PTZ cameras consume a lot of power even when the camera is not moving, the EX3-PTZ consumes less than 10 W when the camera is in stationary position. Mechanical brakes in both pan and tilt positions hold the camera in its stationary position, while the motors are switched off.

### Day-light camera

The EX3-PTZ is to be fitted with one of TKH Security -AS cameras, such as the 33x zoom bc822v2H3-AS, the 22x zoom 4K BC980H2-AS or the BC840v3-Mxx-AS series. The camera is standard equipped with an integrated wiper and prepared for an installation with a washer. A 10 liter pressurized washer tank (EX-WP10) can be obtained separately.

### ATEX, IECEx, UKEX and INMETRO certified

The EX3-PTZ is fully certified for hazardous areas zone 1 and 2 for gas and zone 21 and 22 for dust for Europe (ATEX), world-wide (IECEx), United Kingdom (UKEX), and for Brazil (INMETRO). The certification includes the optical camera modules.

### Integrated heater

The housing comes with a built-in thermally controlled heater. It regulates the humidity inside the camera and prevents ice or condensation from forming on the optical window.

(c) 20250210

| Mechanical                 |  |
|----------------------------|--|
| Body material              | Electro-polished 316L stainless steel        |
| Optical Window             | High-Grade Tempered Optical Glass            |
| - Size                     | diameter 75 mm; 10 mm thick                  |
| Sunshield                  | Standard                                     |
| Rotation                   | 360° Continuous rotation                     |
| Tilt angle                 | +90° to -90°                                 |
| Variable speed             | 0° to 40°/sec pan, 0° to 20°/sec tilt (peak) |
| Pan/tilt torque            | 20 Nm (limited by safety device)             |
| Drive mechanism            | Reinforced toothed belt                      |
| Backlash                   | less than 0.1°                               |
| Preset accuracy            | better than 0.04°                            |
| Ambient temperature (Tamb) | -60 °C to +60°C, +75 °C peak                 |
| - Cold start               | -30°C  |
| Relative humidity          | 5% to 100%                                   |
| Cable entry                | 1x M25x1.5                                   |
| Weight                     | 30.5 kg (Packaged: 35.5 kg)                  |

| Certifications            |  |
|---------------------------|--|
| Certification             | ATEX; IECEx, UKEX, INMETRO   |
| Rating                    | II 2 G Ex db IIC T6/5/4 Gb -60°C Tamb +60/75/80°C<br>II 2 D Ex tb IIIC T85/100/135°C Db -60°C Tamb +60/75/80°C |
| Ingress protection rating | IP66, IP68 (3m, 30min) and IP69, Nema-4x   |
| Impact rating (casing)    | IK10   |
| Vibrations and shock      | EN/IEC 60068-2-6; EN/IEC 60068-2-27; DNV-CG-0339   |
| ATEX/UKEX Standards       | EN 60079-0; EN 60079-1; EN 60079-31  |
| IECEX Standards           | IEC 60079-0; IEC 60079-1; IEC 60079-31   |
| INMETRO Standards         | ABNT NBR IEC 60079-0:2020 ABNT NBR IEC 60079-1:2016 ABNT NBR IEC 60079-31:2022                                 |
| EMC                       | EN 55035; EN/IEC 61000-6-4; EN/IEC 61000-3-2; EN/IEC 61000-3-3;<br>EN/IEC 61000-6-2; CISPR-32; CISPR-35        |
| LVD                       | EN/IEC 62368-1   |

| Electrical                                |                                    |                |                |
|---|------------------------------------|----------------|----------------|
| Power rating                              | EX3-PTZ24                          | EX3-PTZ120     | EX3-PTZ230     |
|   | 24 Vac +/-10%                      | 120 Vac +/-10% | 230 Vac +/-10% |
|   | 50/60Hz                            | 50/60Hz        | 50/60Hz        |
| Max power consumption                     | 130W                               | 130W           | 130W           |
| Min power consumption (no heater, no P/T) | 10W min                            | 10W min        | 10W min        |
| Internal Heater                           | Standard                           |                |                |
| - Heater control                          | On:12°C +/- 4°C; Off: 20°C +/- 3°C |                |                |
| - Gears/Motors                            | Electronically controlled de-icing |                |                |
| Integrated wiper                          | Standard                           |                |                |

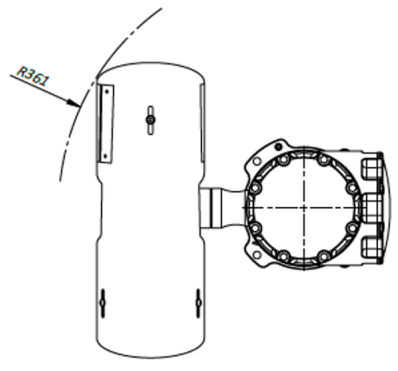
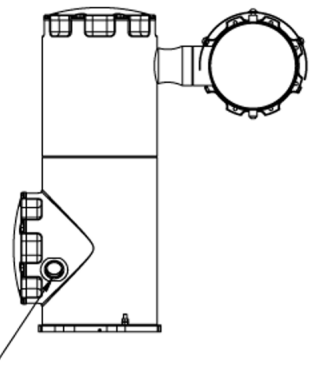
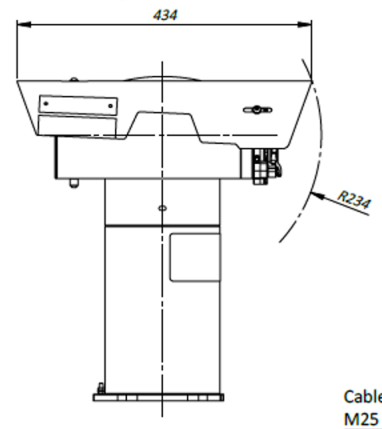
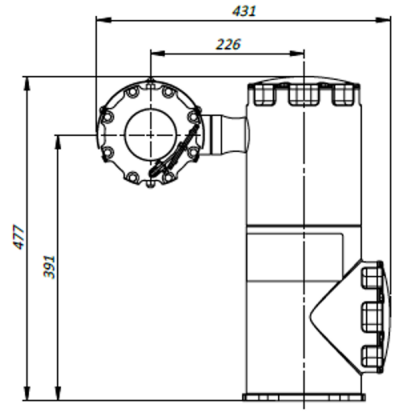
### Ordering information

# Specs

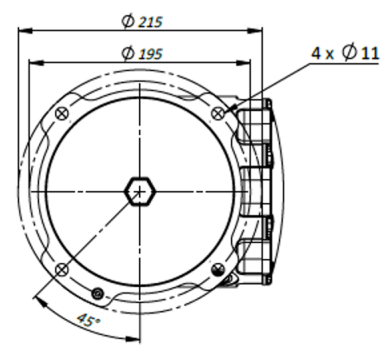


| Ordering information       |  |
|----------------------------|--|
| EX3-PTZ24                  | 3rd Gen EX PTZ Camera 316L 24VAC             |
| EX3-PTZ120                 | 3rd Gen EX PTZ Camera 316L 120VAC            |
| EX3-PTZ230                 | 3rd Gen EX PTZ Camera 316L 230VAC            |
| Cable tails and interfaces | Refer to "Siqua INT3-RJ / INT3-SM / INT3-MM" |

DIMENSIONS IN MM



MOUNTING PATTERN



## RELATED

---



### **Siqua BC822v2H3-AS**

Assembly 33x zoom IP camera, 3MP, AF, Day/night, H.265/H.264

---



### **TKH Security BC980H2-AS**

8MP IP Box camera with integrated 22x zoom lens

---



### **Siqua INT3-RJ / INT3-SM / INT3-MM / INT3-EoC**

Network Interface and cable tail of the Siqua SA3 or EX3 cameras

---



### **Siqua EX-JB01**

316L Ex e termination box for EX cameras

---



### **Siqua EX WP10**

10 litres pressurized water tank in 316L cabinet

---



### **Siqua EX mounting accessories**

316L Mounting accessories for the EX-FIX and EX-PTZ series

---