

EX3-PTZ T SERIES

3rd Generation EX PTZ Camera 316L

DESCRIPTION

The EX3-PTZ T thermal camera housing is an innovative, rugged, and corrosion proof PTZ camera station made for use in hazardous areas in onshore, offshore, marine and heavy industrial environments. The EX3 camera station is designed for easy installation and on-site repairs. The PTZ housing is not sold separately, it is only available in combination with a TKH security thermal camera modules, TC3-T series, and an interface/cable tail (INT3-RJ/SM/MM)

FEATURES

Corrosion protected 316L stainless-steel

ATEX, IECEx, UKEX and INMETRO certified

Nema-4X, IP66, IP68 and IP69

Grid protected germanium window (diameter 50 mm)

Suited for 9, 13, 19, 25, 35, 50 mm thermal lenses

Low stationary power consumption (<10W)

Integrated EX d Junction box

Integrated power supply (24, 115 or 230 Vac)

Electro-polished 316L sun-shield

Optional direct to fiber



Description

Reliable and easy to maintain

The innovative design of the EX3-PTZ T resulted in a highly reliable PTZ unit with extended lifetime of the motors, high precision gear technology and improved accessibility. This improves not only the installation time, but also the reparability of the camera station over its lifetime, thus lowering the operational costs of the camera in general.

Corrosion free 316L construction

The EX3-PTZ T camera is made of corrosion proof 316L stainless steel body, maintenance free and suited to operate in an corrosive atmosphere.

Low power consumption

The EX3-PTZ T is characterized by its low power consumption. While most PTZ cameras consume a lot of power even when the camera is not moving, the EX3-PTZ T consumes less than 10 W when the camera is in stationary position. Mechanical brakes in both pan and tilt positions hold the camera in its stationary position, while the motors are switched off.

Thermal camera

The EX3-PTZ T is to be fitted with one of TKH Security TC3-X open-frame thermal cameras series. Thermal imaging can be used 24/7 for all sorts of monitoring and detection purposes. The module is fitted with video analytics to actively help with perimeter surveillance, fire detection, flare monitoring, and hotspot detection.

ATEX, IECEx, UKEX and INMETRO certified

The EX3-PTZ is fully certified for hazardous areas zone 1 and 2 for gas and zone 21 and 22 for dust for Europe (ATEX), world-wide (IECEx), United Kingdom (UKEX), and for Brazil (INMETRO). The certification includes the thermal camera modules.

(c) 20250210

Mechanical	
Body material	Electro-polished 316L stainless steel
Window	AR/DLC germanium window
- Size	diameter 50 mm; with protective grid
Sunshield	Standard
Rotation	360° Continuous rotation
Tilt angle	+90° to -90°
Variable speed	0° to 40°/sec pan, 0° to 20°/sec tilt (peak)
Pan/tilt torque	20 Nm (limited by safety device)
Drive mechanism	Reinforced toothed belt
Backlash	less than 0.1°
Preset accuracy	better than 0.04°
Operating temperature (Tamb)	-20 °C to +75 °C (-4 °F to +167 °F)
Relative humidity	5% to 100%
Cable entry	1x M25x1.5
Weight	30.5 kg (Packaged: 35.5 kg)

Certifications	
Certification	ATEX; IECEx, UKEX, INMETRO
Rating	II 2 G Ex db IIC T6/5/4 Gb -60°C Tamb +60/75/80°C II 2 D Ex tb IIIC T85/100/135°C Db -60°C Tamb +60/75/80°C
Ingress protection rating	IP66, IP68 (3m, 30min) and IP69, Nema-4x
Impact rating (casing)	IK10
Vibrations and shock	EN/IEC 60068-2-6; EN/IEC 60068-2-27; DNV-CG-0339
ATEX/UKEX Standards	EN 60079-0; EN 60079-1; EN 60079-31
IECEX Standards	IEC 60079-0; IEC 60079-1; IEC 60079-31
INMETRO Standards	ABNT NBR IEC 60079-0:2020 ABNT NBR IEC 60079-1:2016 ABNT NBR IEC 60079-31:2022
EMC	EN 55035; EN/IEC 61000-6-4; EN/IEC 61000-3-2; EN/IEC 61000-3-3; EN/IEC 61000-6-2; CISPR-32; CISPR-35
LVD	EN/IEC 62368-1

Electrical			
Power rating	EX3-PTZ24	EX3-PTZ120	EX3-PTZ230
	24 Vac +/-10%	120 Vac +/-10%	230 Vac +/-10%
	50/60Hz	50/60Hz	50/60Hz
Max power consumption	130W	130W	130W
Min power consumption (no heater, no P/T)	10W min	10W min	10W min
Internal Heater	Standard		
- Heater control	On:12°C +/- 4°C; Off: 20°C +/- 3°C		
- Gears/Motors	Electronically controlled de-icing		
Integrated wiper	No		

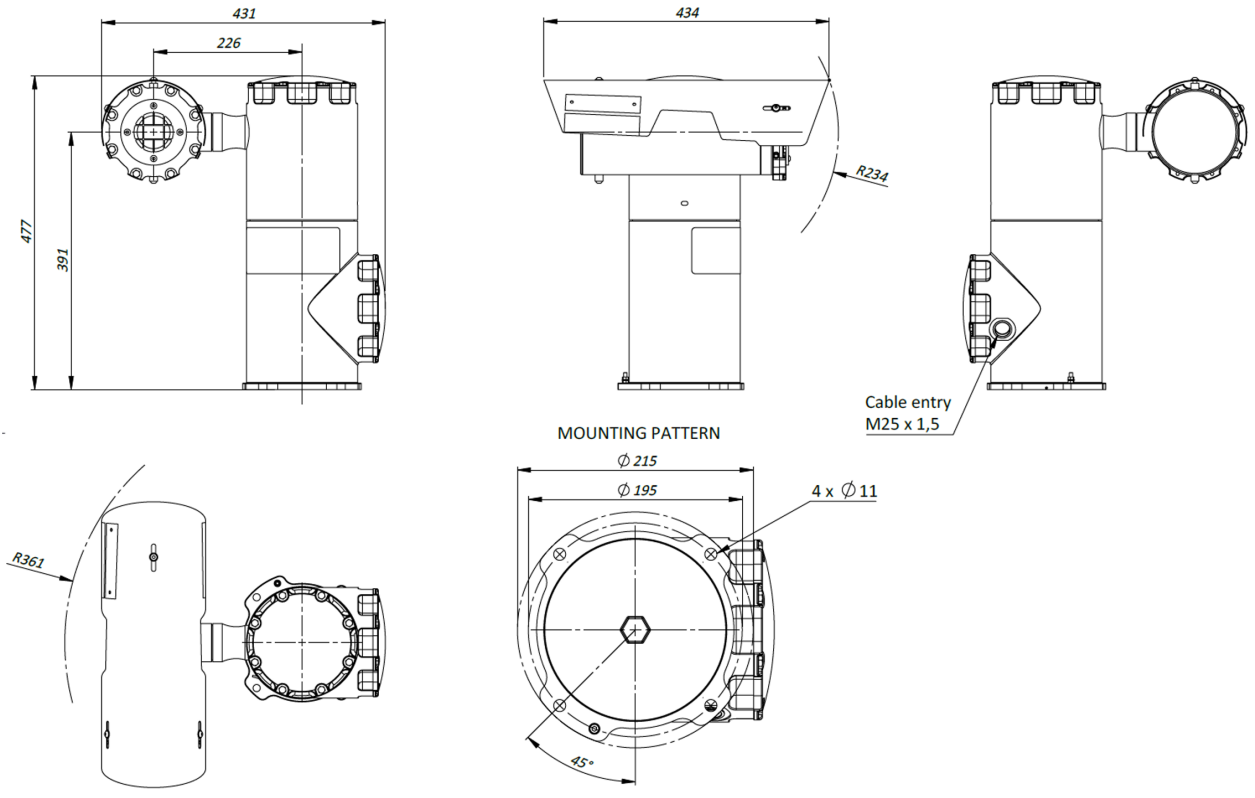
Ordering information	
EX3-PTZ24T	3rd Gen EX thermal PTZ Camera 316L, 24VAC

Specs



Ordering information	
EX3-PTZ120T	3rd Gen EX thermal PTZ Camera 316L, 120VAC
EX3-PTZ230T	3rd Gen EX thermal PTZ Camera 316L, 230VAC
Thermal modules	See TC3-X.
Cable tails and interfaces	See "Siquira INT3-RJ / INT3-SM / INT3-MM"

EX3-PTZ T DIMENSIONS IN MM



RELATED



Siqua TC3-X

Open-frame 3rd generation thermal camera, 384x288 or 640x512



Siqua INT3-RJ / INT3-SM / INT3-MM / INT3-EoC

Network Interface and cable tail of the Siqua SA3 or EX3 cameras



Siqua EX-JB01

316L Ex e termination box for EX cameras



Siqua EX mounting accessories

316L Mounting accessories for the EX-FIX and EX-PTZ series
