

# FD2002F2-EI (EOL)

Network fixed dome, 2.8 mm fixed lens, 2MP, H.265/H.264

## DESCRIPTION

This product is End-of-Life as of ma 29-aug-2022; replacement is FD2002v2F. The FD2002F2-EI is a 2-megapixel IP fixed dome camera fitted with a wide-angled 2.8 mm fixed focus lens allows for easy setup and ensures sharp and clear images. The camera has a wide range of intelligent video analytics features to detect numerous events. Intelligent video encoding ensures good image quality and low storage costs.

## FEATURES

---

Compact Full-HD fixed dome camera

---

Ultra low-light CMOS sensor

---

2MP @ 25/30 fps (1920x1080)

---

2.8 mm fixed lens

---

120 dB WDR

---

Built-in IR illuminator (30 m)

---

Multi-codec multi-stream: H.265,  
H.264, MJPEG

---

Intelligent VCA

---

IP67 and IK10

---

ONVIF Profile S and G

---



## Description

### Multi-encoder & multi-streaming

The camera can support dual streaming of H.265, H.264 or MJPEG. Multiple combinations of resolution, frame rate, and encoding can be configured to satisfy different live viewing and recording scenarios.

### High Efficiency Video Coding (HEVC)

H.265 or HEVC is a video compression standard, the successor of H.264. In comparison H.265 offers about double the compression ratio at the same level of video quality, or substantially improved video quality at the same bit rate. Thus saving bandwidth and recording space.

### Open standards

The FD2002F2-EI can easily be integrated in a video management system using either Siquira's open Programming Interface (SPI) or ONVIF. The fixed dome camera is listed for ONVIF Profile S and Profile G.

### Video analytics

The camera features an extensive set of intelligent video analysis tools to assist the operator detecting any anomalies. This camera features among others, behavior analysis and face detection.

### Image enhancement

The FD2002F2-EI features smart IR with built-in IR illumination for 30 m, BLC and 3D noise reduction to improve the image quality and exposure quality.

### Ease of installation

The extreme compact dome camera can be fitted almost anywhere. It is fitted with a break-out cable to make installation easy.

Camera	
Image sensor	1/2.8" Ultra-low light CMOS
Lens	Fixed 2.8 mm, F/1.6
Field of view	108
Min. illumination	Color: 0.005 lux, B/W: 0.001 lux, 0 lux with IR (F/1.2)
Day/Night	IR-cut filter with auto switch
Built-in IR illuminator	Working distance up to 30 m Wavelength 850 nm
WDR	120 dB
Shutter speed	1/3 s to 1/100,000 s
Slow shutter	Supported

Video	
Video compression	H.265 MP, H.264 MP/HP, MJPEG
Video Output	512 Kbps 24 Mbps
Region of interest	1 region per stream
Max resolution	1x 1920x1080 at 30 fps (640x360@30 for MJPEG)
Frame rate	25/30 fps
Number of simultaneous streams	3
- Main stream	1920x1280@25/30fps; 1280x960@25/30fps; 1280x720@25/30fps; 704x576@25fps or 704x480@30fps
- Sub stream	640x480@25/30fps; 640x360@25/30fps; 352x288@25fps or 352x240@30fps
- Third Stream*	1920x1280@25/30fps; 1280x720@25/30fps; 640x360@25/30; 352x288@25fps or 352x240@30fps
Image enhancement	3D DNR, Back Light Compensation
Image setting	Rotate mode**, saturation, brightness, contrast, sharpness
Day/Night switch	Auto/Scheduled
Privacy mask	Yes
Video output	Not supported
Note*	Enabling the Third-Stream, disables the face detection.
Note**	The combination WDR and rotation limits the frame rate to 20 fps

Network	
Protocols	TCP/IP, UDP, ICMP, HTTP, HTTPS, FTP, DHCP, DNS, DDNS, RTP, RTSP, RTCP, PPPoE, NTP, UPnP, SNMP, SMTP, IGMP, 802.1x, QoS, IPv4/v6, Bonjour
Security	3-level user authentication, 802.1x, Watermark, IP address filtering
API	ONVIF (Profile S, Profile G), PSIA, Siqua Programming Interface
Communication interface	1x 10/100 Base T/TX (RJ-45)

# Specs



## Analytics

Behavior analytics	Line Crossing Detection, Loitering Detection, Object Abandoned, Object Removal
Face detection	supported
Alarm trigger	Motion detection, Tampering alarm, Network disconnect, IP address conflict, illegal login, disk full, disk error

## Storage

Networked storage	NAS (NFS, SMB/CIFS), ANR
On-board storage	Built-in micro SD/SDHC/SDXC slot, up to 256 GB

## Powering

Power supply	12 Vdc 25% (Barrel connector), PoE (802.3af class3)
Power consumption	5 W for 12 Vdc; 6.5 W for PoE

## Environmental

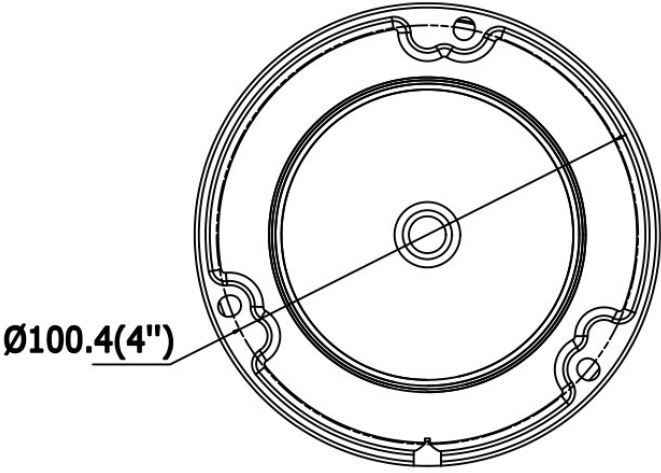
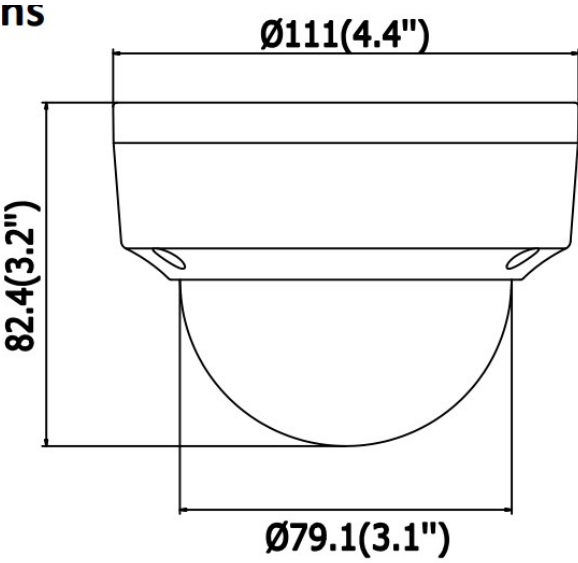
Ingress protection level	IP67
Impact protection	IK10
Operating temperature	-30 °C to +60 °C (-22 °F to +140 °F)
Relative humidity	+5% to 100%

## Housing

Material	Die cast aluminum
Dimensions	diameter111 x 82.4 mm (diameter 4.4"x 3.2")
Weight	500 g (1.1 lbs)
Color	RAL 9003 (signal white)

## Ordering information

FD2002F2-EI	Network fixed dome, 2.8 mm fixed lens, 2MP, H.265/H.264
-------------	---



**RELATED**



**Siqura Fixed Camera Accessories**  
Mounting kits for fixed dome and bullet camera