

FD2002V2M (UNTIL STOCK LAST)

Fixed dome, 2.7–13.5 mm motorized lens, 2MP, H.265/H.264

DESCRIPTION

*** This product is status Until stock last. ***

The FD2002v2M is a 2-megapixel IP fixed dome camera providing clear images in any situation. A wide angle 2.7 to 13.5 mm motorized autofocus lens allows for easy setup and ensures sharp and clear images. The camera has a wide range of intelligent video analytics features to detect numerous events. Intelligent video encoding ensures good image quality and low storage costs.

FEATURES

Max 1920x1080(2MP) Resolution

2MP @ 25/30 fps

Quad stream H.264, H.265 and MJPEG

40m Built-in IR illuminator

Embedded Video analytics

ONVIF Profile S, G and T

IP67, IK10





(c) 20240229

Camera	
Image Sensor	1/2.8" Progressive CMOS
Effective pixels	1920x1080(2MP)
Minimum scene illumination	Color: 0.002lux, B/W: 0 lux, Olux with IR illumination on, F1.4
Shutter Speed	1/3s to 1/100,000s
Lens	Motorized 2.7 to 13.5mm, F/1.4, Auto-iris
Field of View	34° to 113° horizontal, 19° to 58° vertical
Focus Control	Autofocus
Slow Shutter	Supported
Day/Night	Automatic IR-cut Filter

Video	
Video Compression	H.265 (Main Profile) / H.264 (High Profile/Main Profile/High Profile) / MJPEG
Video Bitrate	32Kbpf to 16Mbps
Max. Resolution	1920x1080 30fps
Supported Resolution	1920x1080, 1280x960, 1280x720, 704x576, 640x480, 640x360
Frame Rate	25/30fps
Number of simultaneous streams	Quad streams*
Max. Streaming	
30fps*	1920x1080, 640x480, 1920x1080, 1280x720
30fps	1920x1080, 640x480
Bitrate Control	Constant bit rate (CBR), variable bit rate (VBR), Smart bitrate(H.265+, H.264+)**
Number of video output streams	Up to 6(RTSP)
Region of interest	Support
	*Monitor mode enabled. 3rd and 4th streaming are limited to 10fps.
	**Main Stream support

Image	
Wide dynamic range	120dB
White Balance	Auto(3 levels), Fixed, Manual
Image Setting	Saturation, Brightness, Contrast, Sharpness, Backlight Compensation, Highlight Compensation, WDR, Exposure control, Gain, Backlight compensation
Day/Night Switch	Auto/Scheduled/Triggered by Alarm In
SNR	52dB
Image Enhancement	3DNR, Defog
Image Rotation	90°, 180°, 270° rotation
Text and picture overlay	Date & time, Preset title

Analytics	
Smart Analytics***	Line crossing, Intrusion Detection, Region exiting detection, Object Abandoned, Object Removal
Event detections	External Input, External Output, Tampering, Audio Detection, Manual Trigger, recording notification, Network disconnected, IP Address Conflicted, Illegal Login
Event Action	Alarm output, Record video clip to NAS/SD card, Send alarm message and image

Analytics

by E-mail/FTP, Send HTTP notification

***Smart event mode enabled.

Audio

Audio Interface 1x 3.5 mm audio in (LINE IN, MIC IN); 1x 3.5 mm audio out interface (LINE OUT)

Compression G.711, G.726, AAC, PCM

Alarm

Input 1x(max. 24VDC/24VAC, 1A)

Output 1x(max. 24VDC/24VAC, 1A)

Operational modes Motion detection, Tampering alarm, Alarm I/O, Smart Analytics Events

Network

Communication Interface 10/100 Mb (RJ45)

Network protocols IPv4/IPv6, HTTP, HTTPS (TLS1.2), 802.1x, Qos, FTP, SMTP(SSL), UPnP, SNMP(v1/v2/v3/Traps), DNS, DDNS, NTP, RTSP, RTCP, RTP/UDP, TCP/IP, IGMP(v2/v3), DHCP, PPPoE, SSL/TLS, ONVIF Profile S/G/T, Siquira Programming Interface (SPI API)

Security User authentication, Privilege Management, Digest authentication (RTSP, HTTP),

HTTPS encryption (TLS1.1/1.2); IEEE 802.1x port-based network access control, IP filtering

Web Viewer Internet Explorer 11, Microsoft Edge, Google Chrome, Mozilla Firefox

General

Protection Level IP67, IK10

Material Die cast aluminum

Edge Storage Built-in micro SD/SDHC/SDXC slot, up to 256 GB

Power DC12V (terminal block), Max. 10.8W; IEEE 802.3af PoE Class 3, Max. 12.9W

IR illumination 850nm IR LEDs, 40m IR Viewable Length

Operating temperature -30°C ~ 60°C (-22°F ~ 140°F)

Relative Humidity (Operating) 95% or less, no condensation

Storage temperature -30°C ~ 60°C (-22°F ~ 140°F)

Relative Humidity (Storage) 90% or less, no condensation

Dimensions(camera body) diameter 153.4 x 133.1 mm

Weight 1.1kg

Colour RAL 9003 (Signal white)

Ordering Information

FD2002v2M 2MP Fixed Dome, 2.7-13.5mm motorized, H.265/H.264/MJPEG, IR, IK10, IP67

PM10 Pole mount for BL/FD2000 series cameras

WM20 Corner mount for BL/FD2000 series cameras

WM21 Wall mount for FD2002/2005

CM21 Ceiling pendant mount for FD2002/2005

CM22 In-ceiling mount for FD2002M1-EI and FD2005M1-EI

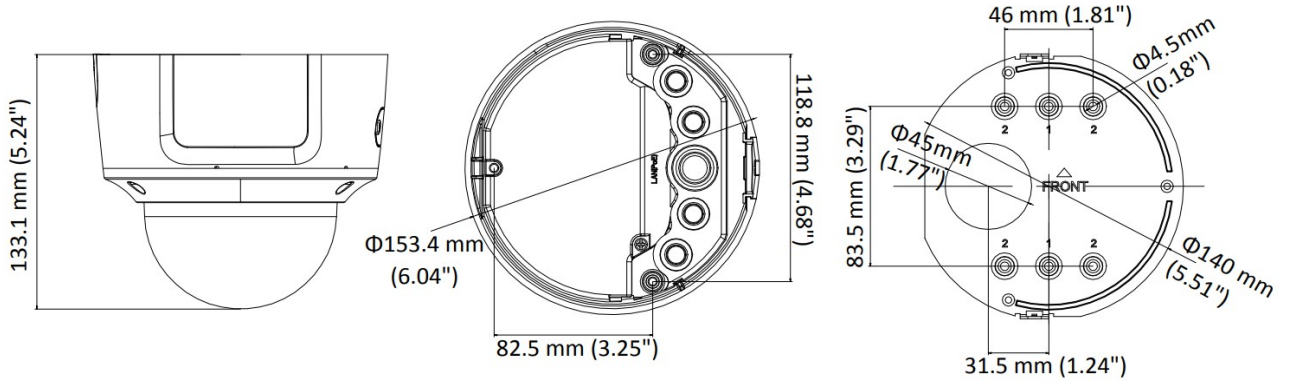
DC31 Dome cover, transparent, vandal proof, for FD200xM1-EI, FD200xv2M

Specs



Ordering Information

DC31S Dome cover, smoked, vandal proof, for FD200xM1-EI, FD200xv2M



RELATED



TKH Security WM21
Wall mount, for FD200xM1-EI, FD200xv2M, FD202xM



TKH Security WM20
Corner mount, for 200xM, 200xv2M, 202xM



TKH Security PM10
Pole mount, for BL/FD200xM1-EI, FD202xv2M, BL/FD200xM



TKH Security CM21
Ceiling mount, for FD200xM1-EI, FD200xv2M, FD202xM



TKH Security CM22
Flush mount, for FD200xM1-EI, FD200xv2M, FD202xM



TKH Security DC31
Dome cover, Transparent, IK10, for FD202xM, FD200xv2M, FD200xM1-EI



TKH Security DC31S
Dome cover, Smoked, IK10, for FD202xM, FD200xv2M, FD200xM1-EI