

FD2024M

4MP IP Fixed dome camera with 5x motor zoom, IR, 1/3" CMOS

DESCRIPTION

The FD2024M is a 4 megapixel fixed dome camera providing clear images in any situation. A wide angle 2.7 to 13.5 mm motorized autofocus lens allows for easy setup and ensures sharp and clear images. The camera has a wide range of intelligent video analytics features to detect numerous events. Intelligent video encoding ensures good image quality and low storage costs. It offers many image enhancement techniques, such as BLC and HLC, Electronic Image Stabilization, Defog and 3D DNR.

FEATURES

1/3 Progressive scan CMOS

2.7 .. 13.5 mm (5x motor zoom)

2688x1520 (4MP)

120 dB WDR

Quad stream H.265, H.264 and MJPEG video

Day/Night with IR-cut filter / WDR / BLC

Electronic Image Stabilisation

ONVIF Profile S, T, G



Description

Multi-encoder & multi-streaming

High-Efficiency Video Coding (HEVC)

H.265 or HEVC is a video compression standard, the successor of H.264. In comparison, H.265 offers about double the compression ratio at the same level of video quality or substantially improved video quality at the same bit rate. Thus saving bandwidth and recording space.

ONVIF

Multiple options are available to easily integrate the FD2024M into a video management system. In support of open standards, the camera is ONVIF conformant. Any VMS today supports this camera via its ONVIF driver.

Image enhancement

The FD2024M features a set of tools to enhance the image quality, such as smart IR, Defog, BLC, and 3D noise reduction.

Ease of installation

The FD2024M comes with mounting options (separately sold) for pendant wall mounting and pole mounting.

(c) 20260420

Camera	
Image sensor	1/3" CMOS
Max. Resolution	2688x1520 (4MP)
Max. Frame rate	30 fps
Minimum scene illumination	0.003 lx (Color); 0 lx (B/W, IR lighting); F1.4, AGC ON
Shutter Speed	1/3 .. 1/100000 s
Lens	Motorized 2.7 .. 13.5 mm (5x zoom), F1.4, Auto-iris
Field of View	107.6° .. 32.9° horizontal, 56° .. 18.5° vertical
Focus Control	Auto, Semi-Auto, Manual
Slow Shutter	Supported
Day/Night	Automatic IR-cut Filter
IR illumination	40 m; 850 nm

Video	
Stream 1 resolutions	2688x1520, 1920x1080, 1280x720
Stream 2 resolutions	1280x720, 640x480, 640x360
Stream 3 resolutions	1920x1080, 1280x720, 640x480, 640x360
Stream 4 resolutions	1280x720, 640x480, 640x360
Video Compression	H.265, H.264, MJPEG
H.264 profiles	Baseline profile, Main profile, High profile
H.265 profiles	Main profile
Video Bitrate	32 .. 8000 kbps
Bitrate Control	CBR, VBR
Number of video output streams	Up to 6
Region of interest	Supported, 5x

Image	
Image control	Brightness, Contrast, Saturation, Sharpness, Whitebalance, AGC
Day/Night control	Day, Night, Auto
Wide dynamic range	120 dB
SNR	52 dB
Image enhancement	BLC, HLC, Defog, 3DNR, 2DNR
Rotation	Supported
Mirror	Off, Left/Right, Up/Down, Center
Privacy masks	4 (Polygon, Solid)
Text and picture overlay	8x Text, Date/time, Camera name, Image (bmp)

Mechanical adjustment	
Pan range	0° .. 355°
Tilt range	0° .. 75°

Analytics	
Smart analytics	Line crossing, Intrusion detection, Zone enter, Zone exit, Scene changed, Left luggage, Object removed, Loitering

Specs



Analytics

Event detections	Motion detection, Tampering, Network disconnected, IP address conflict, Invalid login, Storage full, Storage error, Image quality, Bad focus, Bad lighting, Bad contrast, Bad SNR, Audio detection
Event actions	Alarm output, Record video clip, Send message, Upload image

Audio

Audio input	1x Line IN (mono, 3.5mm connector)
Audio output	1x Line OUT (mono, 3.5mm connector)
Compression	G.711ulaw, G.711alaw, G.722.1, G.726, MP2L2, MP3, AAC

Alarm

Input	1x Alarm IN
Output	1x Digital OUT (max. 24 VDC/AC 24 V, 1 A)

Network

Interface	100Base-TX (FE, IEEE 802.3u), MDI/MDI-X Auto negotiation, Flow control (IEEE 802.3x)
Protocols	TCP, UDP, ICMP, HTTP, FTP, SFTP, SRTP, RTP, DHCP, DNS, DDNS, RTSP, RTCP, PPPoE, NTP, UPnP, SMTP, SNMP v1/v2/v3, IGMP v1/v2, 802.1x, QoS, IPv4, IPv6, Bonjour, SSL, TLS v1.0/v1.1/v1.2/v1.3, ONVIF Profile S/G/T, SPI, ISAPI, SMB, NFS, CIFS
Interoperability	ONVIF Profile S/G/T, SPI, ISAPI
Security	Password, Complex password, HTTPS encryption, 802.1x port authentication, EAP, Watermark, IP address filter, Basic authentication, Digest authentication, HTTP authentication, ONVIF WSSE authentication, ONVIF digest authentication, RTP over HTTPS, RTSP over HTTPS, SRTP, Logout after idle timeout, Security audit log, TLSv1.2 (HTTPS, 802.1x), TLSv1.3 (HTTPS, 802.1x), Signed firmware, Secure boot
Web browser	Internet Explorer 11, Microsoft Edge, Google Chrome, Mozilla Firefox
Local Storage	uSD, uSDHC, uSDXC, max. 512 GB

Environmental

Protection Level	IP67, IK10
Operating temperature	-30 .. 60 °C (-22 .. 140 °F)
Relative humidity (Operating)	Max. 95% (non-condensing)
Storage temperature	-30 .. 60 °C (-22 .. 140 °F)
Relative humidity (Storage)	Max. 95% (non-condensing)
Power supply	DC 12 V +/-10% (max. 15W) PoE 802.3at class 4 (max. 18W)

Mechanical

Specs

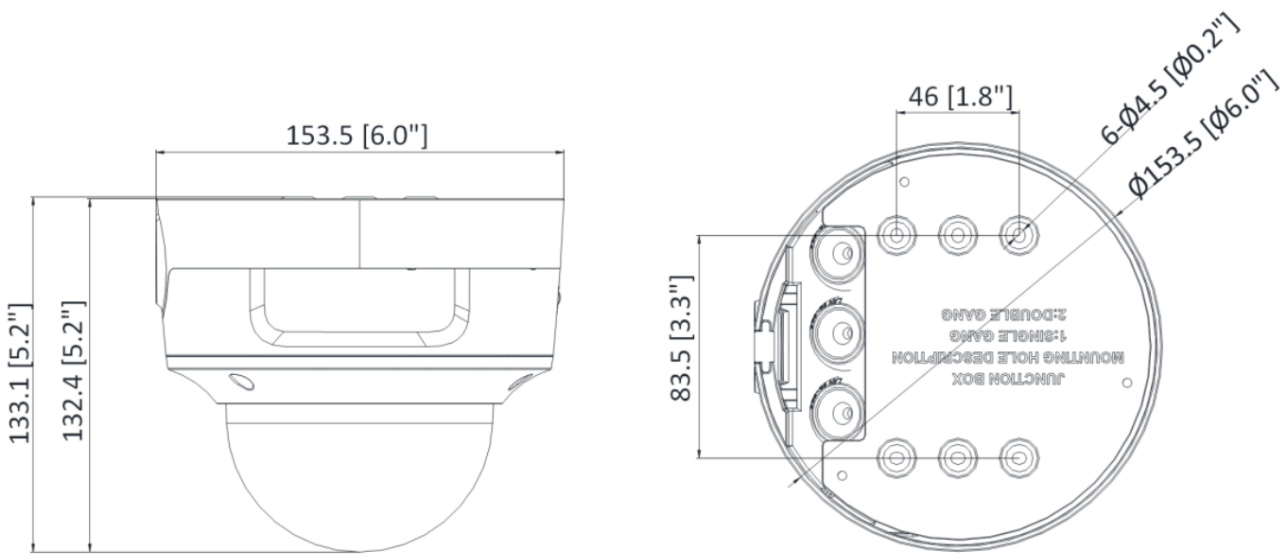


Mechanical

Material	Metal
Connectivity	Terminal connectors
Product dimensions	153.5 x 153.5 x 133.1
Product weight	0.9 kg (1.9 lbs)
Package dimensions	244 x 174 x 173
Package weight	1.8 kg (3.9 lbs)
Color	Signal white, black

Ordering Information

FD2024M	4MP IP Fixed dome camera with 5x motor zoom, IR, 1/3" CMOS
WM21	Wall mount, for FD200xM1-EI, FD200xv2M, FD202xM
PM10	Pole mount, for BL/FD200xM1-EI, FD202xv2M, BL/FD200xM
CM21	Ceiling mount, for FD200xM1-EI, FD200xv2M, FD202xM
CM22	In-Ceiling mount for FD2002M1, FD2005M1, FD2002v2M1, FD2005v2M1
WM20	Corner mount, for 200xM, 200xv2M, 202xM



Unit: mm (inch)

RELATED



TKH Security WM21

Wall mount, for FD200xM1-EI, FD200xv2M, FD202xM



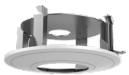
TKH Security PM10

Pole mount, for BL/FD200xM1-EI, FD202xv2M, BL/FD200xM



TKH Security CM21

Ceiling mount, for FD200xM1-EI, FD200xv2M, FD202xM



TKH Security CM22

Flush mount, for FD200xM1-EI, FD200xv2M, FD202xM



TKH Security WM20

Corner mount, for 200xM, 200xv2M, 202xM



TKH Security DC31

Dome cover, Transparent, IK10, for FD202xM, FD200xv2M, FD200xM1-EI



TKH Security DC31S

Dome cover, Smoked, IK10, for FD202xM, FD200xv2M, FD200xM1-EI