

# FD2026M

6MP IP Fixed dome camera with 5x motor zoom, IR, 1/2.4" CMOS

## DESCRIPTION

The FD2026M is a 6 megapixel fixed dome camera providing clear images in any situation. A wide angle 2.7 to 13.5 mm motorized autofocus lens allows for easy setup and ensures sharp and clear images. The camera has a wide range of intelligent video analytics features to detect numerous events. Intelligent video encoding ensures good image quality and low storage costs. It offers many image enhancement techniques, such as BLC and HLC, Electronic Image Stabilization, Defog and 3D DNR.

## FEATURES

---

1/2.4 Progressive scan CMOS

---

2.7 .. 13.5 mm (5x motor zoom)

---

3200x1800 (6MP)

---

120 dB WDR

---

Triple stream H.265, H.264 and MJPEG video

---

Day/Night with IR-cut filter / WDR / BLC

---

Electronic Image Stabilisation

---

ONVIF Profile S, T, G

---



## Description

### Multi-encoder & multi-streaming

### High-Efficiency Video Coding (HEVC)

H.265 or HEVC is a video compression standard, the successor of H.264. In comparison, H.265 offers about double the compression ratio at the same level of video quality or substantially improved video quality at the same bit rate. Thus saving bandwidth and recording space.

### ONVIF

Multiple options are available to easily integrate the FD2026M into a video management system. In support of open standards, the camera is ONVIF conformant. Any VMS today supports this camera via its ONVIF driver.

### Image enhancement

The FD2026M features a set of tools to enhance the image quality, such as smart IR, Defog, BLC, and 3D noise reduction.

### Ease of installation

The FD2026M comes with mounting options (separately sold) for pendant wall mounting and pole mounting.

(c) 20260420

| <b>Camera</b>                  |  |
|--------------------------------|--|
| Image sensor                   | 1/2.4" CMOS  |
| Max. Resolution                | 3200x1800 (6MP)  |
| Max. Frame rate                | 30 fps   |
| Minimum scene illumination     | 0.003 lx (Color); 0 lx (B/W, IR lighting); F1.6  |
| Shutter Speed                  | 1/3 .. 1/100000 s  |
| Lens                           | Motorized 2.7 .. 13.5 mm (5x zoom), F1.6, Auto-iris  |
| Field of View                  | 106° .. 35.6° horizontal, 55.9° .. 20° vertical  |
| Focus Control                  | Auto, Semi-Auto, Manual  |
| Slow Shutter                   | Supported  |
| Day/Night                      | Automatic IR-cut Filter  |
| IR illumination                | 40 m; 850 nm   |
| <b>Video</b>                   |  |
| Stream 1 resolutions           | 3200x1800, 2688x1520, 1920x1080, 1280x720  |
| Stream 2 resolutions           | 1920x1080, 1280x720, 640x480, 640x360  |
| Stream 3 resolutions           | 640x480, 640x360   |
| Video Compression              | H.265, H.264, MJPEG  |
| H.264 profiles                 | Baseline profile, Main profile, High profile   |
| H.265 profiles                 | Main profile   |
| Video Bitrate                  | 32 .. 16000 kbps   |
| Bitrate Control                | CBR, VBR   |
| Number of video output streams | Up to 6  |
| Region of interest             | Supported, 5x  |
| <b>Image</b>                   |  |
| Image control                  | Brightness, Contrast, Saturation, Sharpness, Whitebalance, AGC   |
| Day/Night control              | Day, Night, Auto   |
| Wide dynamic range             | 120 dB   |
| SNR                            | 52 dB  |
| Image enhancement              | BLC, HLC, Defog, 3DNR, 2DNR  |
| Rotation                       | Supported  |
| Mirror                         | Off, Left/Right, Up/Down, Center   |
| Privacy masks                  | 8 (Solid)  |
| Text and picture overlay       | 8x Text, Date/time, Camera name, Image (bmp)   |
| <b>Mechanical adjustment</b>   |  |
| Pan range                      | 0° .. 355°   |
| Tilt range                     | 0° .. 75°  |
| <b>Analytics</b>               |  |
| Smart analytics                | Line crossing, Intrusion detection, Zone enter, Zone exit,<br>Scene changed, Left luggage, Object removed, Loitering |
| Event detections               | Motion detection, Tampering, Network disconnected,   |

## Analytics

|               |  |
|---------------|--|
|               | IP address conflict, Invalid login, Storage full, Storage error, |
|               | Image quality, Bad focus, Bad lighting, Bad contrast, Bad SNR,   |
|               | Audio detection  |
| Event actions | Alarm output, Record video clip, Send message, Upload image      |

## Audio

|              |  |
|--------------|--|
| Audio input  | 1x Line IN (mono, 3.5mm connector)                         |
| Audio output | 1x Line OUT (mono, 3.5mm connector)                        |
| Compression  | G.711ulaw, G.711alaw, G.722.1, G.726, MP2L2, PCM, MP3, AAC |

## Alarm

|        |   |
|--------|---|
| Input  | 1x Alarm IN                               |
| Output | 1x Digital OUT (max. 24 VDC/AC 24 V, 1 A) |

## Network

|                  |   |
|------------------|---|
| Interface        | 100Base-TX (FE, IEEE 802.3u), MDI/MDI-X Auto negotiation,<br>Flow control (IEEE 802.3x)   |
| Protocols        | TCP, UDP, ICMP, HTTP, FTP, SFTP, SRTP, RTP, DHCP, DNS, DDNS, RTSP,<br>RTCP, PPPoE, NTP, UPnP, SMTP, SNMP v1/v2/v3, IGMP v1/v2, 802.1x, QoS,<br>IPv4, IPv6, Bonjour, SSL, TLS v1.0/v1.1/v1.2/v1.3,<br>ONVIF Profile S/G/T, SPI, ISAPI, SMB, NFS, CIFS  |
| Interoperability | ONVIF Profile S/G/T, SPI, ISAPI   |
| Security         | Password, Complex password, HTTPS encryption,<br>802.1x port authentication, EAP, Watermark, IP address filter,<br>Basic authentication, Digest authentication, HTTP authentication,<br>ONVIF WSSE authentication, ONVIF digest authentication,<br>RTP over HTTPS, RTSP over HTTPS, SRTP, Logout after idle timeout,<br>Security audit log, TLSv1.2 (HTTPS, 802.1x), TLSv1.3 (HTTPS, 802.1x),<br>Signed firmware, Secure boot |
| Web browser      | Internet Explorer 11, Microsoft Edge, Google Chrome, Mozilla Firefox  |
| Local Storage    | uSD, uSDHC, uSDXC, max. 512 GB  |

## Environmental

|                               |   |
|-------------------------------|---|
| Protection Level              | IP67, IK10  |
| Operating temperature         | -30 .. 60 °C (-22 .. 140 °F)                                |
| Relative humidity (Operating) | Max. 95% (non-condensing)                                   |
| Storage temperature           | -30 .. 60 °C (-22 .. 140 °F)                                |
| Relative humidity (Storage)   | Max. 95% (non-condensing)                                   |
| Power supply                  | DC 12 V +/-10% (max. 15W)<br>PoE 802.3at class 4 (max. 18W) |

## Mechanical

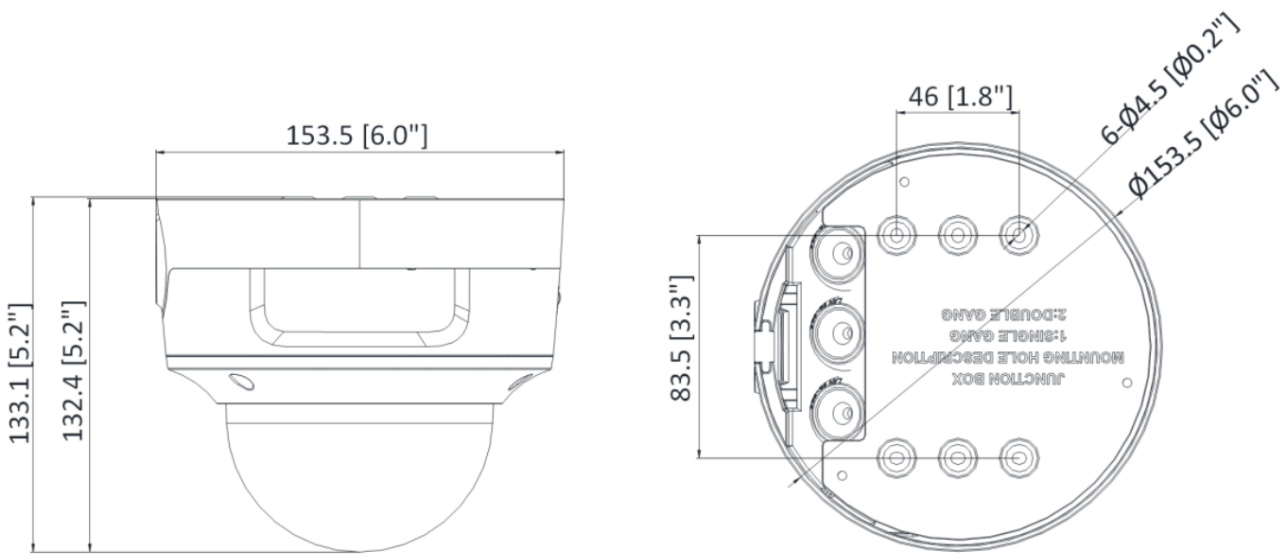
|          |       |
|----------|-------|
| Material | Metal |
|----------|-------|

# Specs



| Mechanical         |                       |
|--------------------|-----------------------|
| Connectivity       | Terminal connectors   |
| Product dimensions | 153.5 x 153.5 x 133.1 |
| Product weight     | 1.1 kg (2.4 lbs)      |
| Package dimensions | 244 x 174 x 173       |
| Package weight     | 1.7 kg (3.7 lbs)      |
| Color              | Signal white, black   |

| Ordering Information |   |
|----------------------|---|
| FD2026M              | 6MP IP Fixed dome camera with 5x motor zoom, IR, 1/2.4" CMOS    |
| WM21                 | Wall mount, for FD200xM1-EI, FD200xv2M, FD202xM                 |
| PM10                 | Pole mount, for BL/FD200xM1-EI, FD202xv2M, BL/FD200xM           |
| CM21                 | Ceiling mount, for FD200xM1-EI, FD200xv2M, FD202xM              |
| CM22                 | In-Ceiling mount for FD2002M1, FD2005M1, FD2002v2M1, FD2005v2M1 |
| WM20                 | Corner mount, for 200xM, 200xv2M, 202xM                         |



Unit: mm (inch)

## RELATED



### TKH Security WM21

Wall mount, for FD200xM1-EI, FD200xv2M, FD202xM



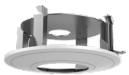
### TKH Security PM10

Pole mount, for BL/FD200xM1-EI, FD202xv2M, BL/FD200xM



### TKH Security CM21

Ceiling mount, for FD200xM1-EI, FD200xv2M, FD202xM



### TKH Security CM22

Flush mount, for FD200xM1-EI, FD200xv2M, FD202xM



### TKH Security WM20

Corner mount, for 200xM, 200xv2M, 202xM



### TKH Security DC31

Dome cover, Transparent, IK10, for FD202xM, FD200xv2M, FD200xM1-EI



### TKH Security DC31S

Dome cover, Smoked, IK10, for FD202xM, FD200xv2M, FD200xM1-EI