

# FD980 (UNTIL STOCK LAST)

4K Fixed dome camera, 4-8mm motorized, H.265/H.264/MJPEG

## DESCRIPTION

This product is status Until stock last.

The FD980 is an 8MP HD fixed dome camera with built-in IR illumination providing razor sharp 4K images even under difficult lighting conditions. Its unique cable-managed bracket, built-in IR, weather and vandal resistance, makes it the ideal camera for almost any outdoor application. As underlined by its ONVIF Profile S, G, T conformance, installation is fast and easy.

## FEATURES

---

4K resolution, 8 MP @ 30 fps

---

4-8 mm motorized varifocal lens

---

Quad-stream H.265, H.264 and MJPEG video

---

120 dB High Dynamic Range

---

Lens Distortion Correction

---

Built-in IR illuminator

---

IP66 ingress protection

---

IK10 impact rating

---

24 Vac, 12 Vdc, PoE

---

ONVIF Profile S, G and T

---



## Description

### Multi-stream multi-codec

The camera has quad-stream capability for simultaneous streaming of H.265, H.264 and MJPEG. Multiple combinations of resolution, frame rate, and encoding can be configured to fit all possible live viewing and recording scenarios. The 4K or 8 Mpixel resolution is available at 25/30 fps still offering multiple exposure WDR (or HDR, in short) with the possibility to add a second stream. Built-in IR illuminator

With a working distance of up to 40 m the camera has its own IR illumination built-in. The intelligent lighting control make sure that under every condition the exposure on the subjects and surroundings is nicely balanced

### Open standards

Multiple options are available to easily integrate the FD980 to a video management system. In support of open standards, the camera is compliant with the ONVIF Profile Q for out of the box installation, profile G from local recording and profile S for streaming and VMS compatibility.

### Image enhancement

The FD980 utilizes advanced image processing technology. Crisp and detailed 4K images with an extremely high dynamic range in real time due to multiple exposure HDR within one frame. Back-light and High-light compensation enhances image-visibility in difficult lighting situations. In addition the camera provides for 3D motion compensated noise reduction for the best images.

### Power source choices

The FD980 can be powered by 12 Vdc, 24 Vac, or over the network with PoE.

(c) 20240715

| Camera                     |  |
|----------------------------|--|
| Image sensor               | 1/1.8" CMOS  |
| Effective pixels           | 3864(H) x 2180(V)  |
| Minimum scene illumination | 0.04 Lux color, 0.002 Lux B/W, f/1.6<br>0 lux with IR      |
| Shutter speed              | 1 to 1/100,000 sec   |
| IR illumination            | 850 nm, up to 40 m   |
| IR function                | Auto, Night, Day, Light sensor, Light On, Light Off, Smart |
| Lens                       | Motorized varifocal  |
| Focal length               | 4 to 8 mm, f/1.6   |
| Horizontal field of view   | 113° (Wide) to 59° (Tele)                                  |
| Lens material              | High-grade optical glass                                   |

| Image control    |   |
|------------------|---|
| Dynamic range    | 120 dB (HDR)  |
| Exposure control | P-Iris  |
| White balance    | Auto, ATW, One push, Manual   |
| Image settings   | Sharpness, Brightness, Contrast, Color, EV, Backlight Compensation, Highlight Compensation, WDR |
| SNR              | Better than 54dBw   |
| Noise reduction  | 2DNR, 3DNR, motion compensated noise reduction  |
| Image rotation   | 90°, 180°, 270° rotation  |
| Digital zoom     | 10x   |

| Functions                       |  |
|---------------------------------|--|
| Privacy masks                   | 8 colors, 5 masks  |
| Text and picture overlay        | Date, time, date & time, subtitle, image   |
| Video motion detection          | On / off / by schedule   |
| Video motion detection alarm    | Alarm output, record video clip, send alarm message, upload image  |
| Network failure detection       | On / off / by schedule   |
| Network failure detection alarm | Alarm output, record video clip, send alarm message, upload image  |
| Tamper detection                | On / off / by schedule   |
| Tamper detection alarm          | Alarm output, record video clip, send alarm message, upload image  |
| Behavior Analytics*             | Abandoned Object, Intrusion Detection, Camera Sabotage<br>Wrong Direction, Loitering Detection, Object Counting<br>Object Removal, Stopped Vehicle |
| *Offer by request               |  |

| Video                    |  |
|--------------------------|--|
| Compression algorithm(s) | H.265, H.264, MJPEG  |
| Number streams           | 4x, individually configurable H.265/H.264/MJPEG streams in resolution, frame rate and bandwidth.   |
| Supported resolutions    | 3840x2160, 3200x1800, 1920x1080, 1280x1024, 1280x720, 1024x768, 800x600, 720x480, 640x480, 352x240 |

# Specs



| Video                           |  |           |           |           |
|---------------------------------|--|-----------|-----------|-----------|
| Max streaming (H264/H265/MJPEG) |  |           |           |           |
| 60fps                           | 1920x1080  | 1920x1080 | 352x240   |           |
| 30fps (HDR)                     | 3840x2160  | 800x600   |           |           |
| 30fps (HDR)                     | 3200x1800  | 1920x1080 | 800x600   |           |
| 30fps (HDR)                     | 1920x1080  | 1920x1080 | 1920x1080 | 1920x1080 |
| Compression bit rate control    | Constant bit rate (CBR), variable bit rate (VBR), Low bit rate (LBR) |           |           |           |
| Max frame rate MJPEG            | 1080p (1920x1080) @ 30 fps   |           |           |           |
| Compression bit rate control    | Low bit rate (LBR), constant bit rate (CBR), variable bit rate (VBR) |           |           |           |
| Output bit rate (per stream)    | Up to 10240 kbit/s   |           |           |           |
| Number of clients               | Up to 20 (RTSP)  |           |           |           |
| Total output data rate (max)    | 50000 kbit/s   |           |           |           |

| Audio                     |   |
|---------------------------|---|
| Two-way audio             | Line in, Line out                         |
| Compression               | G.711 (μ-law, a-law) / G.726 / AAC / LPCM |
| Input level, Output level | Adjustable gain                           |
| Connector type            | Female phone jacks, 3.5 mm                |

| Alarm inputs/output |  |
|---------------------|--|
| Input               | 2x 0 - 5V 10k pull-up, 0.5A as limit             |
| Output              | 1x Photo relay output 300 Vdc/ac, 0.13A as limit |
| Connector type      | Terminal block on breakout cable                 |

| Storage         |   |
|-----------------|---|
| Storage options | Supports up to 512 GB capacity of SD/SDHC/SDXC memory (vFAT/EXT4) |
| Network storage | NAS   |

| Network            |  |
|--------------------|--|
| Interface(s)       | 100/1000 Mb Ethernet   |
| Connector type     | RJ-45  |
| Protocols          | IPv4/IPv6 (ICMP), HTTP, HTTPS (TLS1.2), 802.1x, QoS, FTP, SMTP(SSL), UPnP, SNMP(v1/v2/v3/Traps), DNS, DDNS, NTP, RTSP, RTCP, RTP/UDP, TCP/IP, IGMP(v2/v3), DHCP, PPPoE |
| Security           | User authentication, Digest authentication (RTSP, HTTP), HTTPS encryption (TLS1.2); IEEE 802.1x port-based network access control, IP filtering                        |
| Standard           | ONVIF (Profile S, Profile G, Profile T), Siqua API   |
| Supported browsers | Internet Explorer 11, Edge, Chrome, Firefox, Safari  |
| Password levels    | User and Administrator   |
| User accounts      | 20   |

| Powering          |  |
|-------------------|--|
| Power consumption | Max. 13.68 W, including heater   |
| Power             | 24 VAC +/- 10%; 12 VDC +/- 10%; PoE (IEEE 802.3af class 0, max 12.95W) |

# Specs



## Powering

|                |                         |
|----------------|-------------------------|
| Connector type | 1x 4 Pin terminal block |
|----------------|-------------------------|

## Environmental

|                               |                                |
|-------------------------------|--------------------------------|
| Operating temperature         | -30°C to 60°C (-22°F to 140°F) |
| Relative humidity (Operating) | 5 to 95%, No condensation      |
| Storage temperature           | -20°C to 70°C (-4°F to 158°F)  |
| Relative humidity (Storage)   | 10 to 60%                      |

## Mechanical

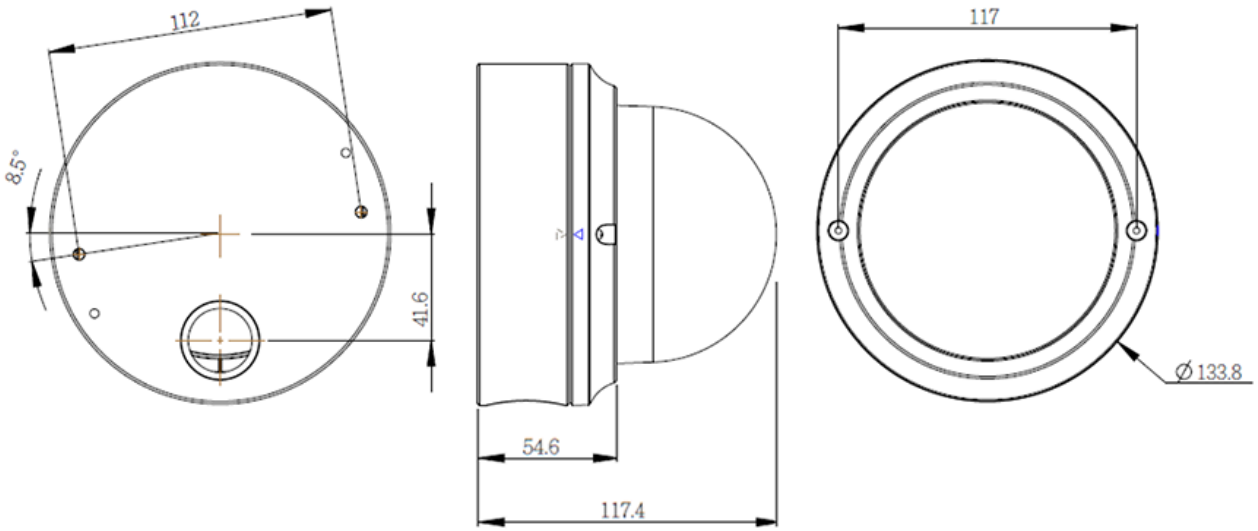
|                    |                          |
|--------------------|--------------------------|
| Dimensions         | diameter133.8 x 117.4 mm |
| Weight             | 760 g                    |
| Color              | RAL 9003 (Signal white)  |
| Ingress protection | IP66                     |
| Impact rating      | IK10                     |

## Ordering information

|       |   |
|-------|---|
| FD980 | 4K fixed domecamera, 4-8mm motorized, H.265/H.264/MJPEG |
|-------|---|

## Accessories

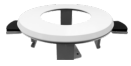
|         |  |
|---------|--|
| CM13/FD | Flush mount kit for FD800, FD910 and FD980 series              |
| TA01/FD | Tube adapter/pendant mount for FD800, FD910 and FD980 series   |
| WM19/FD | Wall mount for FD800, FD910 and FD980 series                   |
| DC21    | Dome cover, transparent, vandal proof, for FD910, FD950, FD980 |
| DC21S   | Dome cover, smoked, vandal proof, for FD910, FD950, FD980      |



## RELATED



**TKH Security WM19/FD**  
Wall mount for FD820v2, FD910, FD950, FD980 (Obsolete)



**TKH Security CM13/FD**  
Flush mount kit for FD800, FD910, FD950, FD980 series



**TKH Security TA27**  
Tube adapter/pendant mount for FD810, FD820v2, FD910, FD950, FD980, FD360



**TKH Security DC21**  
Dome cover, transparent, vandal proof, for FD910, FD950, FD980



**TKH Security DC21S**  
Dome cover, smoked, vandal proof, for FD910, FD950, FD980