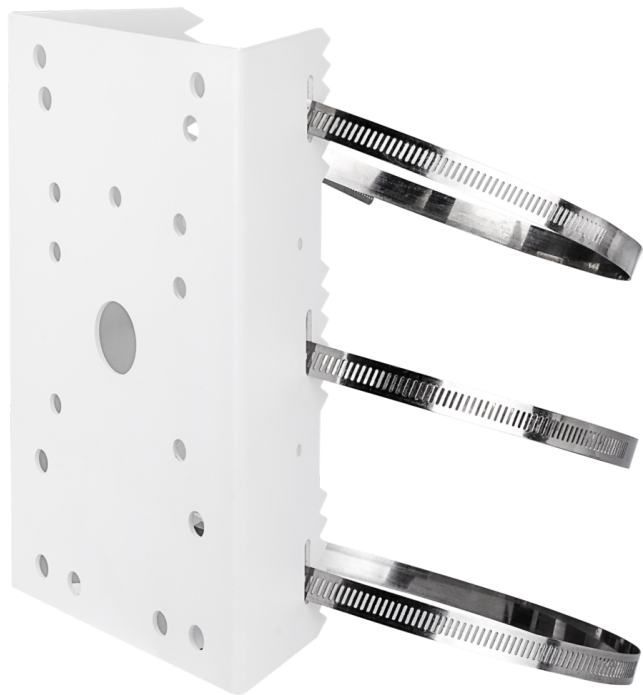


HSG04-POLE

Pole mount for HSG04-Wall

DESCRIPTION

HSG04-Pole is an accessory for pole mounting the HSG04 or HSG05 fixed housings. Note that the HSG04-Wall mount will also be needed to complete the pole mounting.

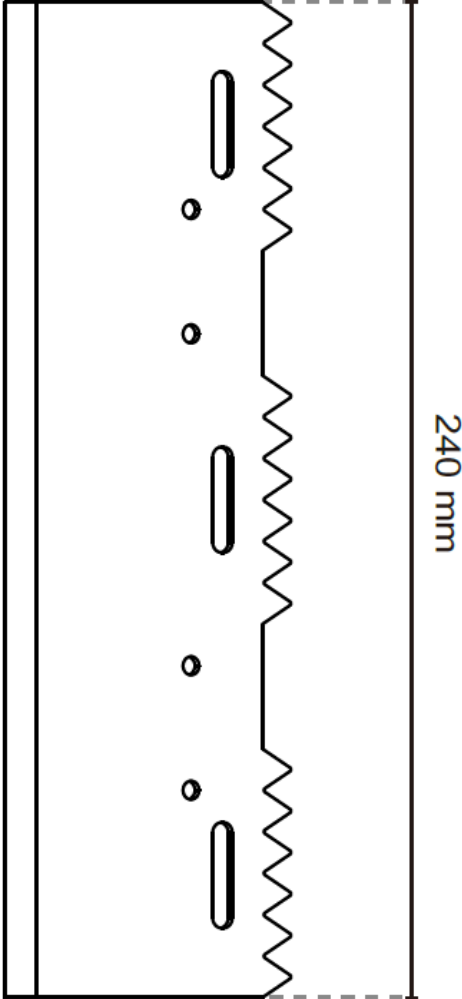
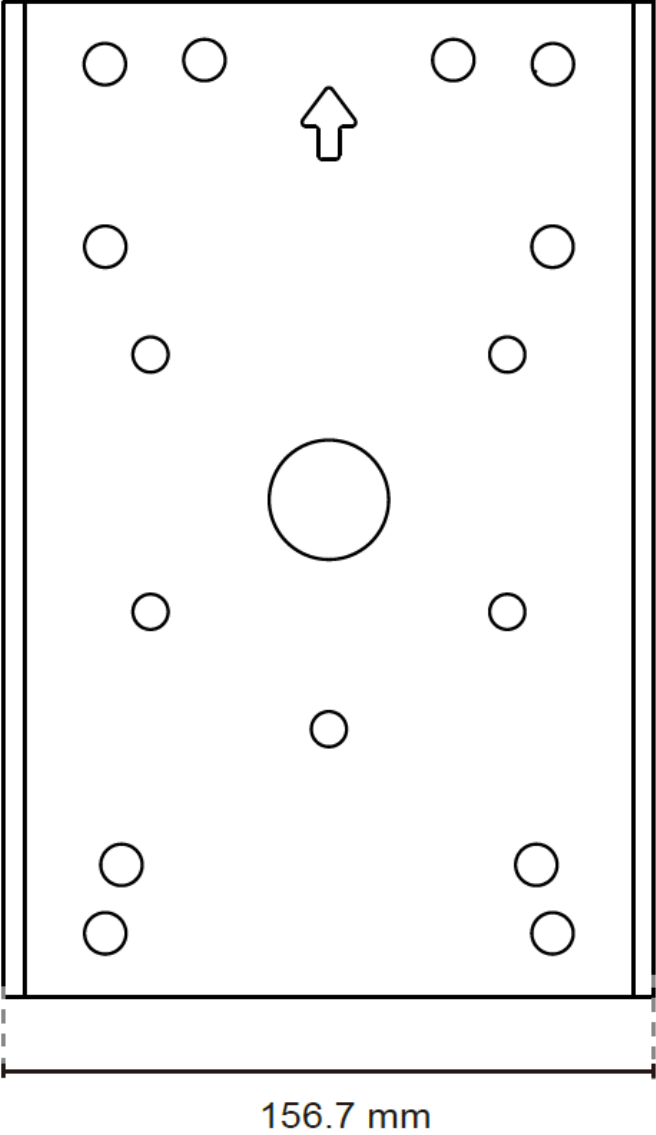
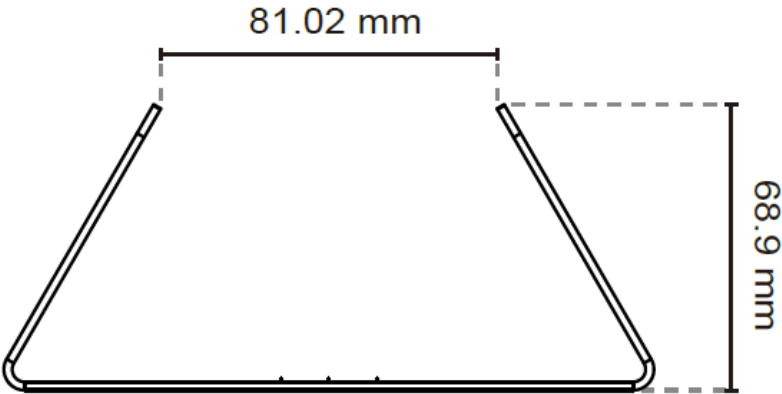


Mechanical

Materials	SPCC
Dimensions (L x W x H)	240 x 156.7 x 68.9 (mm)
Pole diameter	89-152.4mm
Color	White
Max. Load	25 kg
Weight	1.26 kg

Ordering Information

HSG04-Pole	Pole mount for HSG04-Wall
HSG04-Wall	Wall mount for HSG04, HSG05
HSG04	Outdoor Wiper housing for a fixed box camera
HSG05	Outdoor fixed housing, 90-260VAC



RELATED



TKH Security HSG04-Wall
Wall mount for HSG04, HSG05



TKH Security HSG04
Outdoor Wiper housing for a fixed box camera



TKH Security HSG05
Outdoor fixed housing, 90-260VAC
