

HSG05

Outdoor fixed housing, 90-260VAC

DESCRIPTION

HSG05 all-weather outdoor housing offers robust and easy, secure installation. It is operated by 90-260V AC line voltage and has direct power to the installed box camera. The IK10-, IP66- rated casing protects against water and dust in all weather conditions. With an anti-drop design, it enables easy and secure installation without spare screws. The housing operates in a wide temperature range, and to prevent ice or condensation from forming on the optical window, the housing comes with a built-in heater and blower.

FEATURES

IP66 water ingress protection

IK10 impact cast aluminum housing

-20 °C to +65 °C operating temperature

Easy and secure installation

Sun shield included

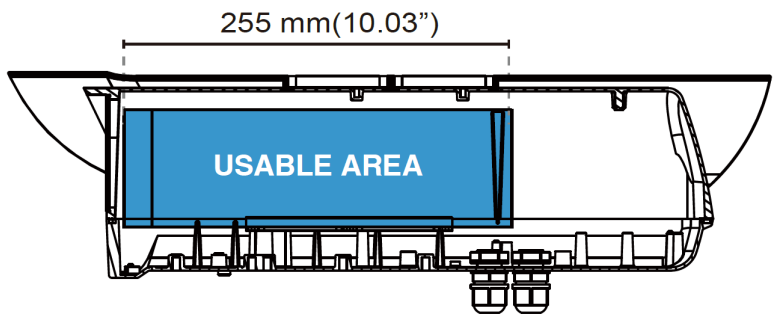
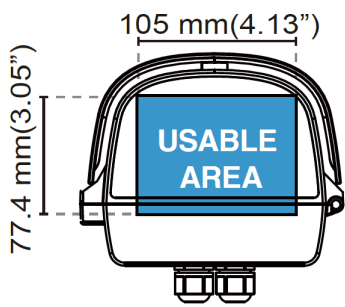
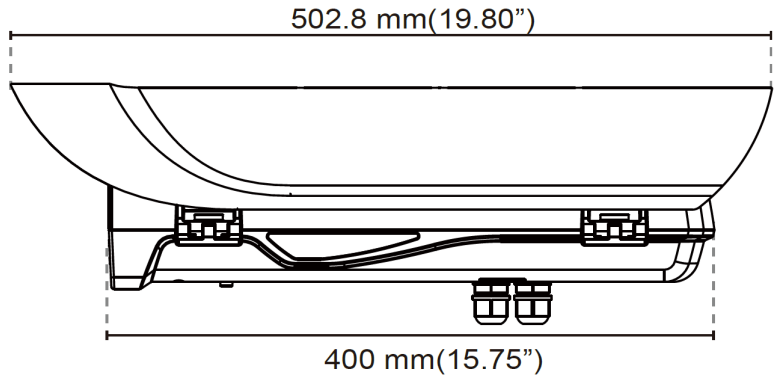
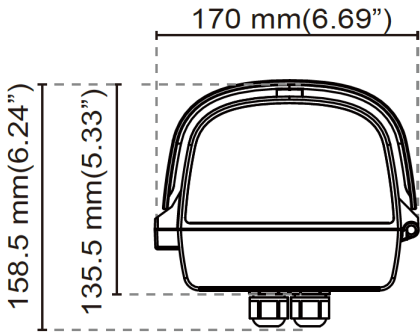


HSG05 Housing

IP Rating	IP66
IK Rating	IK10, without glass
Corrosion Class	C2 (ISO 12944)
Temperature control	heater/blower
Power	90-260 Vac
Output power budget	30 W
Power consumption	Window Heater: 10W
	Blower: 2W
	Camera: 6.15W
Relative Humidity	5% to 95%, no condensation
Operating temperature	-20°C to 65°C (-4°F ~ 149°F)
Window Heater ON/OFF	20°C (68°F) ON, 30°C (86°F) OFF
Cold Start Heater ON/OFF	0°C (32°F) ON, 5°C (41°F) OFF
Blower ON/OFF	35°C (95°F) ON, 25°C (77°F) OFF
Material	Aluminum
Dimensions	158 x 170 x 502 mm (6.2 x 6.69 x 19.7 in)
Weight	2.2 kg (4.85 lbs)

Ordering information

HSG05	Outdoor fixed housing, 90-260VAC
HSG04-Wall	Wall mount bracket, 360° pan, -66.5°~ 0° tilt angle, 10KG Max Load
HSG04-Pole	Pole mount bracket, 25kg Max Load



RELATED



TKH Security HSG04-Wall
Wall mount for HSG04, HSG05



TKH Security HSG04-Pole
Pole mount for HSG04-Wall



TKH Security HSG04
Outdoor Wiper housing for a fixed box camera
