

# IPR-IX30-IK10-SPC

Spacer for Sirius iX30-ik10 card reader

## DESCRIPTION

The standard Spacer for the Sirius IX30-ik10 is often used on door posts where cable entry from the rear is not possible, or where additional space must be created from a metal door post. The Spacer is equipped with a made-to-measure profile which always enables a precise installation of the card reader.

The Spacer is available in color black.

## FEATURES

---

Installation on metal surfaces

---

Dimensions: 144.66 x 82 x 11mm

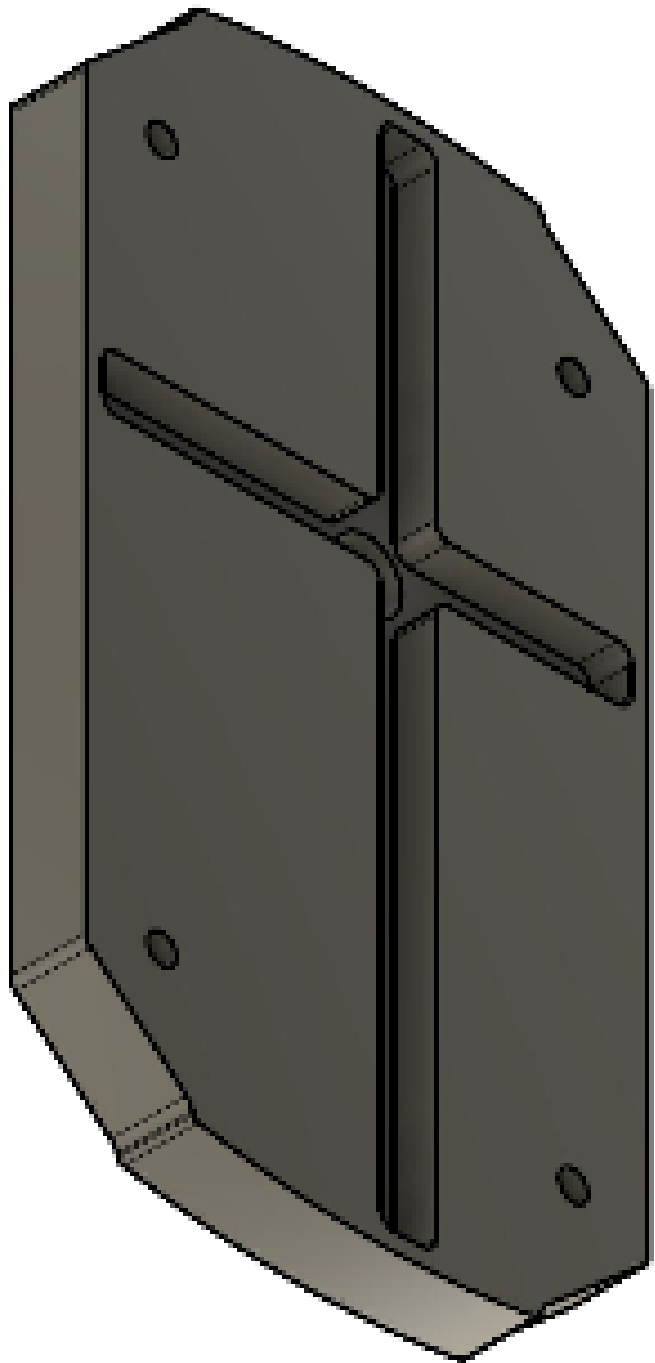
---

Temperature -40 °C to +90 °C

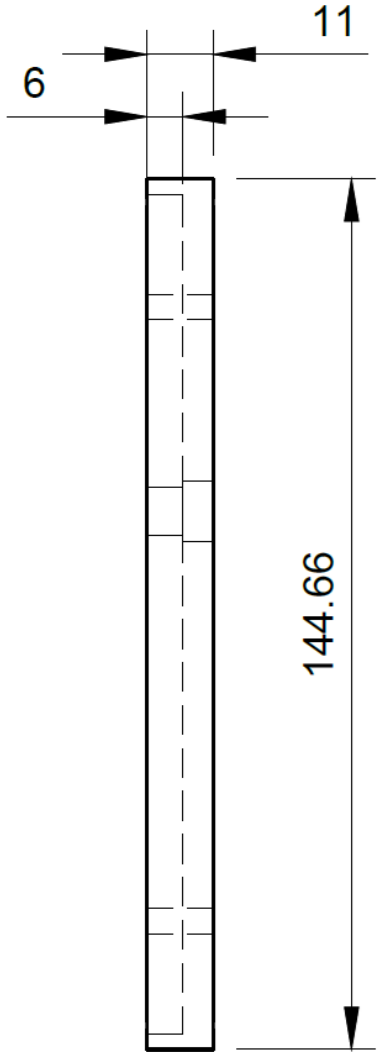
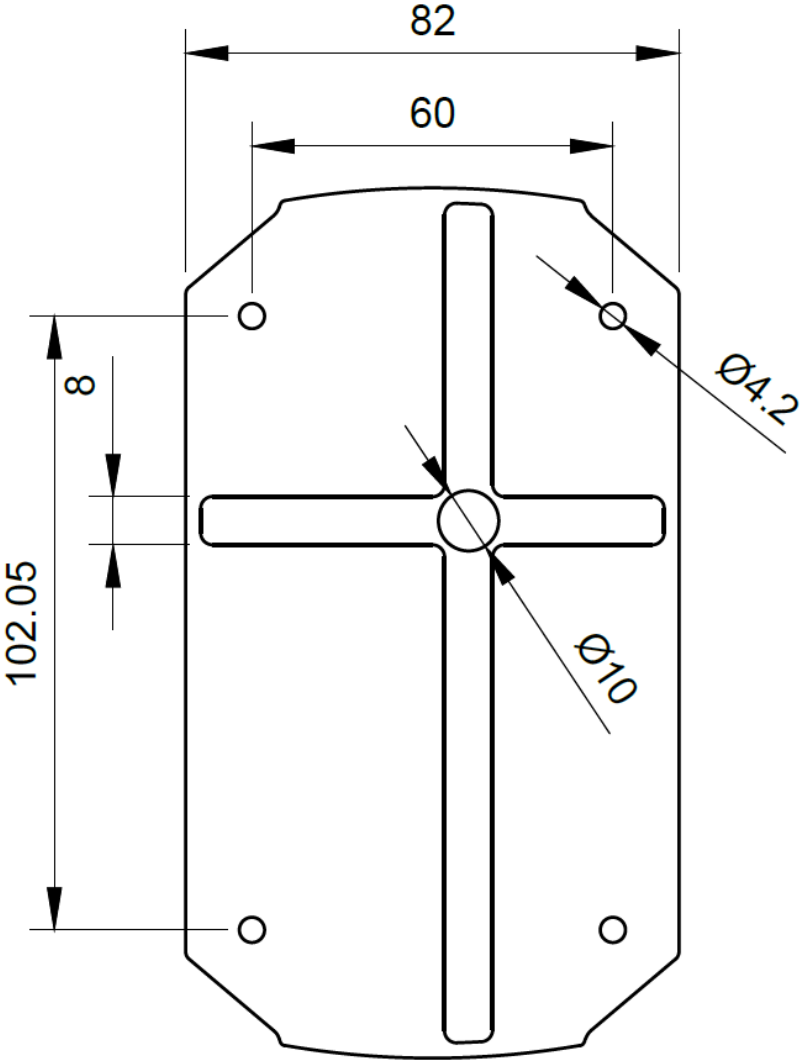
---

Easy to install

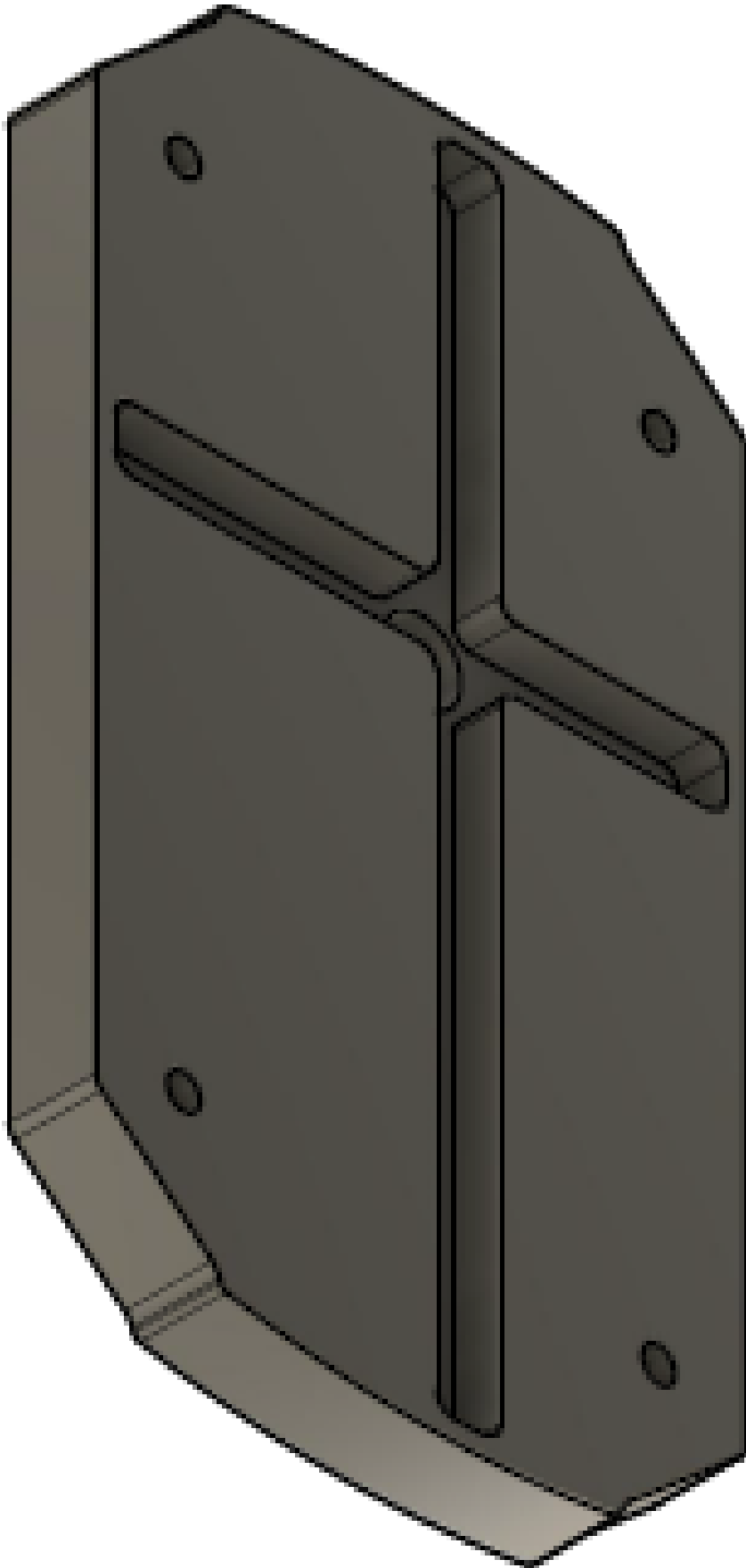
---



Dimensions: 144.66 x 82 x 11mm







## RELATED

---



**Sirius IPR-iX30-IK10**  
Sirius iX30-IK10 card reader MIFARE DESFire

---



**Sirius IPR-iX30-IK10**  
Sirius iX30-IK10 card reader MIFARE DESFire

---



**Sirius IPR-iX30-MDF**  
Sirius iX30 card reader MIFARE/DESFire

---