

IRL-VAR2-I2-2

Vario2 i2, double panel, 120m, 850nm, 12-24V AC/DC input, 20W

DESCRIPTION

VARIO2 illuminators use PLATINUM Elite SMT LED technology to deliver more power and greater distances from a smaller platform than current generation illuminators. Providing a broader range of solutions, the VARIO2 series also offers a suite of advanced security features for easier programming and safer operation of smart lighting systems.

FEATURES

Distances up to 120m (394ft)

PLATINUM Elite SMT LED
Technology

Hot-spot Reduction Technology (HRT)

VARIO Interchangeable Lens System

VARIO Remote Control (optional)

Angles from 10-120 degrees from 1
product

Semi-Covert (850nm) or Covert
(940nm - optional)

Advanced Security Settings





VARIO2 features an interchangeable lens system with adaptive illumination on double and triple panel models to deliver highly even illumination, where it is most needed, for outstanding night-time images. With the optional hand-held remote control, VARIO2 also makes installation and commissioning quicker, easier and safer.

The VARIO2 i2-2 Infra-Red series delivers maximum distances up to 120m (394ft).

ILLUMINATOR	
Max Distance	120m (394ft)
Angle	Each single unit standard pack includes 10 circular + 35 x 10 (fitted as standard) and 60 x 25 elliptical
Optics	Platinum Elite SMT LEDs
Consumption	20W max
Input	12/24V AC/DC
Weight	1.5kg (3.3lbs)
Environmental	IP66
Temp Range	-50 to +50°C (-58 to 122°F)
Cable Length	2.5m
Colour	Black
Wavelength	850 or 940nm (optional)
Dimensions	159 x 144 x 63mm
	6 x 5 x 2.5 approx
BRACKETRY	Adaptive Illumination mounting bracket included.

Integrated Standard Features	
	Power adjust from 20-100%
	In-built photocell for automatic on/off operation
	Photocell following output
	Photocell sensitivity adjust
	LED status indicator provides status on performance of the unit
	LED status indicator on/off
	Disable programming mode

Advanced Features (accessed via VARIO remote control)	
	Timer function (up to 30 mins)
	Telemetry control
	Remote Dimming
	Restore factory default settings
	Optional PIN to lock in settings and limit access
	Remote Control can be disabled for improved security

Ordering Info	
IRL-VAR2-i2-2	Vario2 i2, double panel, 120m, 850nm, 12-24V AC/DC input, 20W

VARIO Accessories	
IRL-i2-LENS-8030	VARIO i2 lens insert 80H x 30V
IRL-i2-LENS-12050	VARIO i2 lens insert 120H x 50V
IRL-WB1	Wall Bracket, L shaped
IRL-PBC-1	Pole bracket clamp for Var2-series
IRL-PBC-2	Pole bracket clamp for 2x Var2-series
VUB-WALL	Wall mount (incl. fixings)
VUB-POLE	Pole mount (incl. fixings)

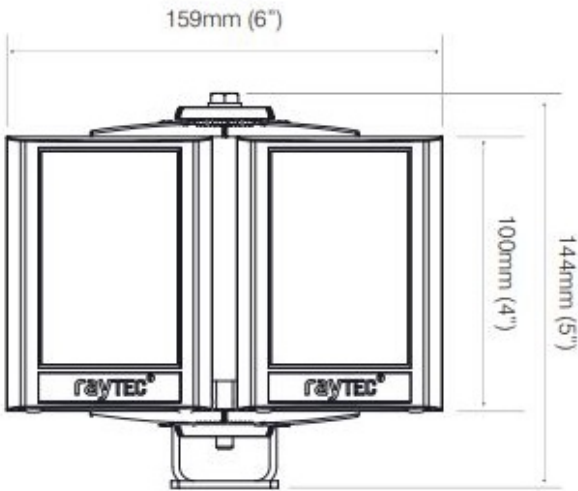
Specs

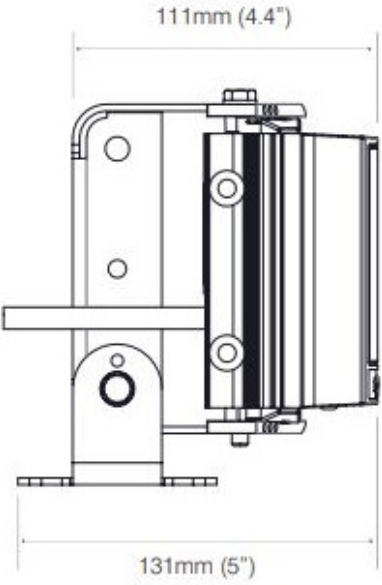


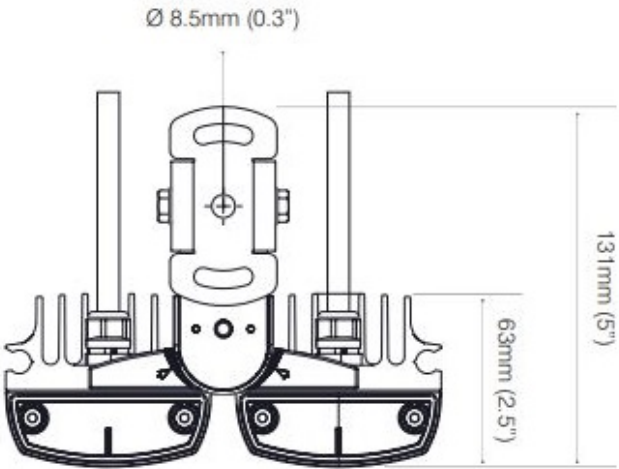
VARIO Accessories

VUB-PLATE-3x2	Mounting plate for 3x Var2-i2 or 2x Var2-i4 (single panel)
IRL-VAR-RC-V1	Remote control for RayTec Vario series









RELATED



RayTec IRL-VAR2-i2-1

Vario2 i2, single panel, 78m, 850nm, 12V-24V AC/DC input, 10W



RayTec IRL-VAR2-i4-1

Vario2 i4, single panel, 144m, 850nm, 12V-24V AC/DC input, 13W



RayTec IRL-VAR2-i4-2

Vario2 i4, double panel, 220m, 850nm, 12-24V AC/DC input, 26W



RayTec IRL-VAR2-i4-3

Vario2 i4, triple panel, 260m, 850nm, 12-24V AC/DC input, 39W



RayTec IRL-VAR2-i8-1

Vario2 i8, single panel, 350m, 850nm, 12-24V AC/DC input, 46W



RayTec IRL-VAR2-i8-2

Vario2 i8, double panel, 500m, 850nm, 12-24V AC/DC input, 92W



RayTec IRL-VAR2-i8-3

Vario2 i8, triple panel, 606m, 850nm, 12-24V AC/DC input, 140W



RayTec IRL-VAR2-i16-1

Vario2 i16, single panel, 500m, 850nm, 12-24V AC/DC input, 100W



RayTec VAR Mountings

A Complete Range of Mounting Solutions for VARIO Illuminators