

JBBL50

Junction box, for BL50xxM

DESCRIPTION

*** Planned release October 1, 2025 ***

The JBBL50 is the junction box for the BL500xM bullet cameras from the 5000-series cameras.

FEATURES

Aluminum alloy material with surface spray treatment

Bottom inlet and side inlet

Available for wall or ceiling mounting

Water-proof design





Description

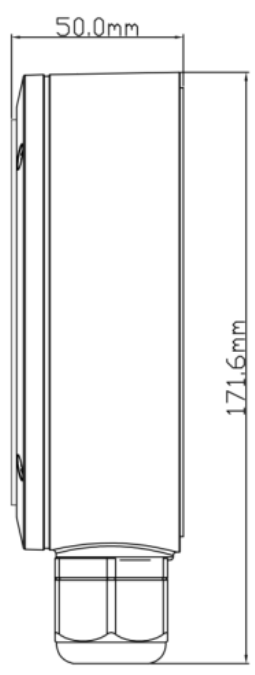
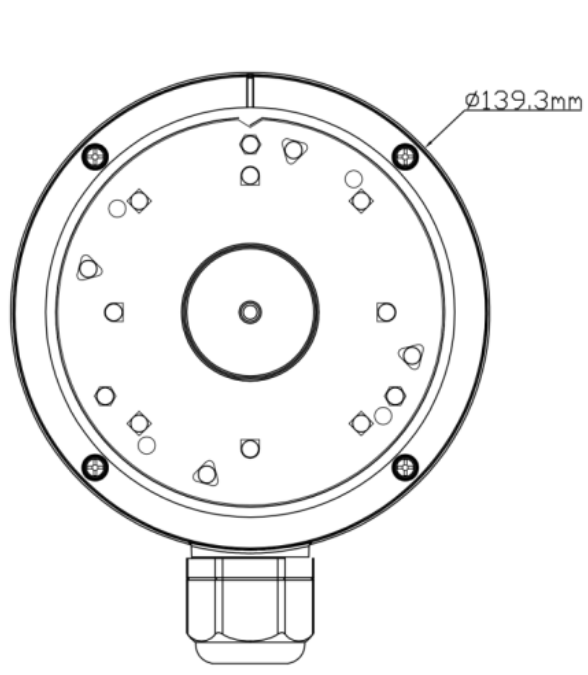
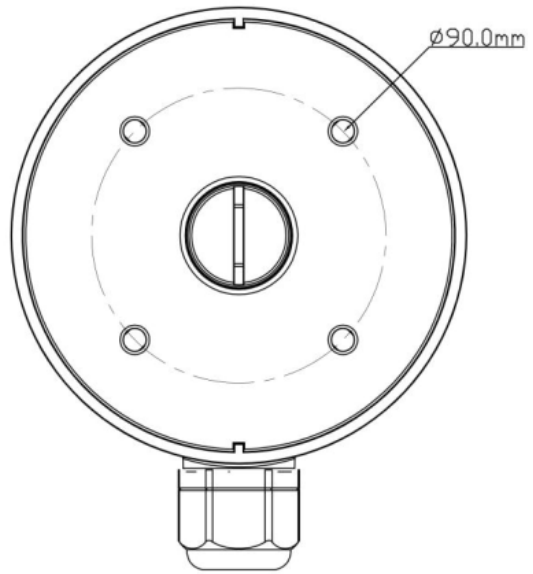
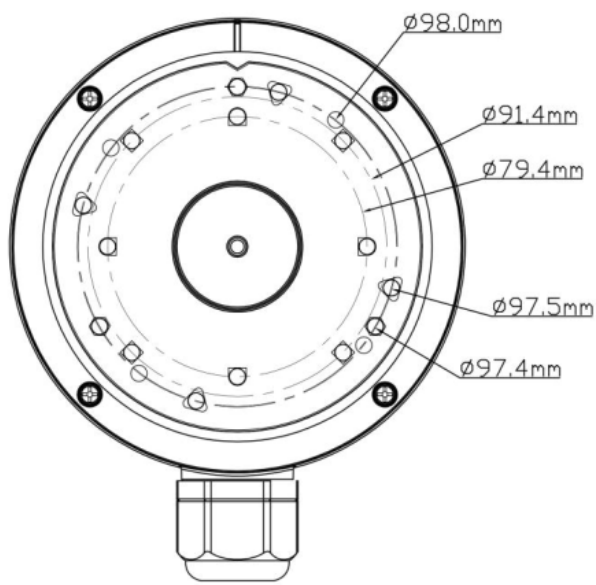
(c) 20250822

Mechanical

Material	Aluminium alloy
Color	RAL 9003 (signal white)
Dimensions (H x W x D)	50 x 139 x 139 mm
Weight	0.512 kg
Load Bearing	The wall must be strong enough to withstand at least 3 times the weight of the camera and the junction box
Working Temperature	-40 .. +60 °C (-40 .. +140 °F)
Working Humidity	10 .. 90 % RH

Ordering Information

JBBL50	Junction box, for BL50xxM
--------	---------------------------



RELATED



TKH Security BL5006M

6MP IP Bullet camera with 5x motor zoom, IR, 1/2.5" CMOS



TKH Security BL5008M

4K IP Bullet color camera with 4x motor zoom, 1/1.8" CMOS



TKH Security PM50

Pole mount, for BL50xxM, FD50xxM, FE5012
