

JBFD50

Junction box, for FD50xxM

DESCRIPTION

The JBFD50 is the junction box for the FD50xxM fixed dome cameras from the 5000-series cameras.

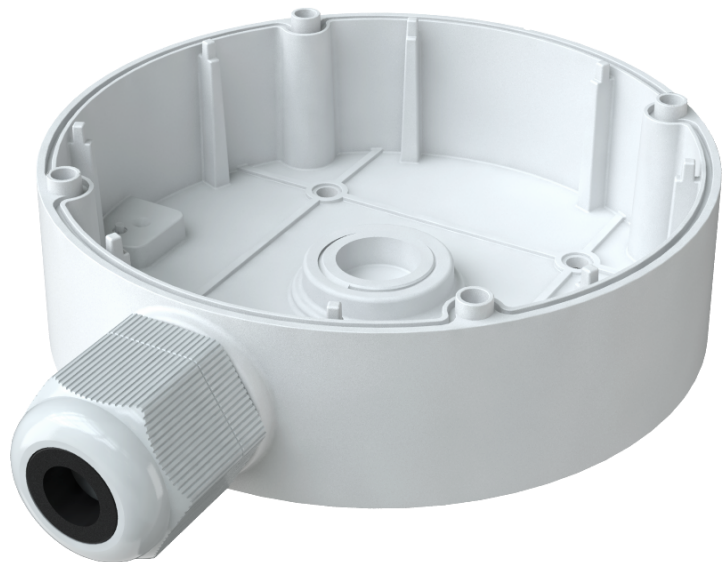
FEATURES

Aluminum alloy material with surface spray treatment

Bottom inlet and side inlet

Available for wall or ceiling mounting

Water-proof design





Description

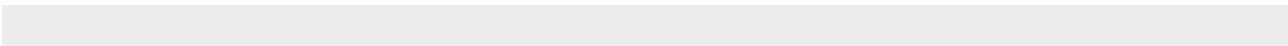
(c) 20260210

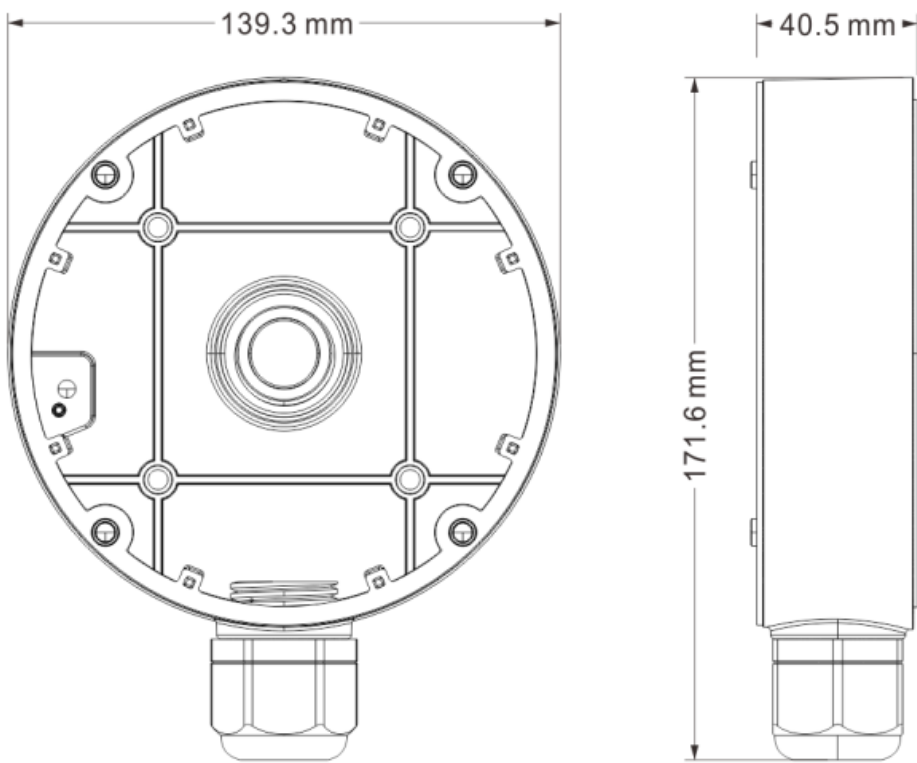
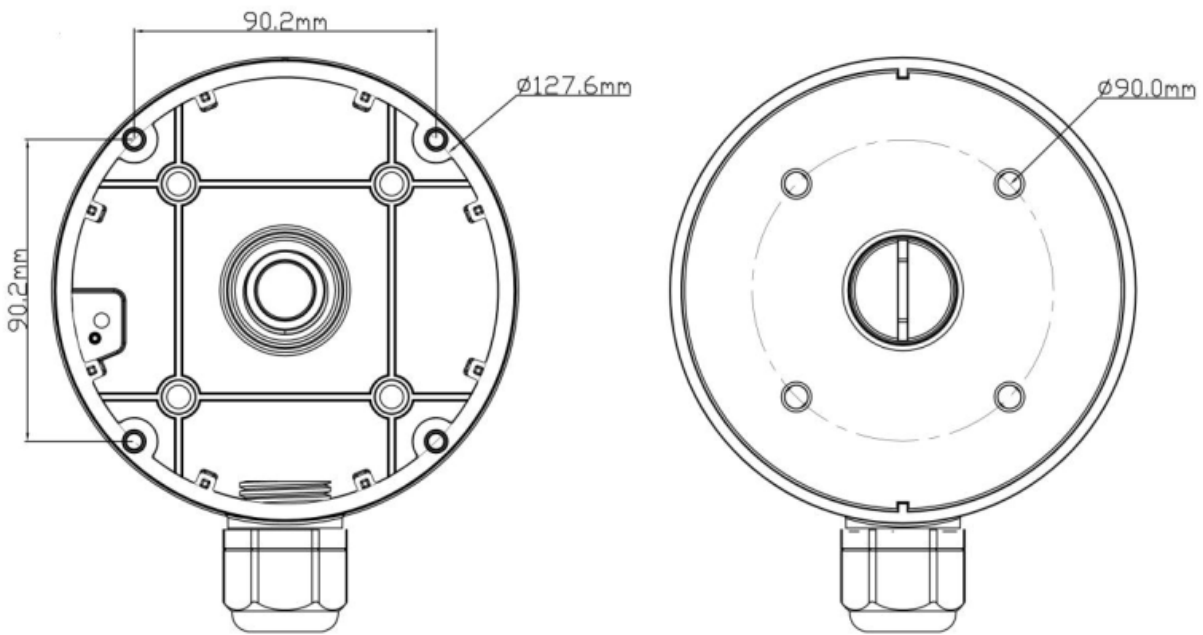
Mechanical

Material	Aluminum alloy
Color	RAL 9003 (signal white)
Dimensions (H x W x D)	41 x 139.3 x 139.3 mm
Weight	0.360 kg
Load Bearing	The wall must be strong enough to withstand at least 3 times the weight of the complete camera assembly
Working Temperature	-40 .. +60 °C (-40 .. +140 °F)
Working Humidity	10 .. 90 % RH

Ordering Information

JBFD50	Junction box, for FD50xxM
--------	---------------------------





RELATED



TKH Security FD5006M
6MP IP Fixed dome camera with 5x motor zoom, IR, 1/2.5"



TKH Security FD5008M
4K IP Fixed dome color camera with 4x motor zoom, 1/1.8" CMOS



TKH Security WMFD50
Wall mount, for FD50xxM



TKH Security PM50
Pole mount, for BL50xxM, FD50xxM, FE5012



TKH Security WM50
Corner mount, for FD50xxM, FE5012
