

NVH-KEY1001

PTZ joystick for use with Sense Client

DESCRIPTION

The NVH-KEY1001 controls IP dome cameras connected to Sense with variable speed and full pan, tilt & zoom. This compact PTZ surveillance controller, features a two button, three axis Hall effect joystick, 10 tactile pushbuttons and USB interface.

It integrates seamlessly with Sense, simply attach the controller and the system is operational. No additional programming is required.

FEATURES

- Small compact design
- 3D joystick with hall effect
- Variable speed pan/tilt/zoom control
- Programmable pushbutton switches
- USB HID compliant
- Plug-and-Play installation



Control

Control interface	Hall effect three axis joystick
	X/Y/Z for positioning control
	36 for X and Y axis
	60 for Z axis
Pushbutton control	10 tactile pushbuttons on housing
	Two tactile pushbuttons on joystick
Supported protocols	USB HID 1.1, DirectX

System Requirements

Operating system	Windows 7, Windows 8, Windows 10, OSX, Linux
------------------	--

Power

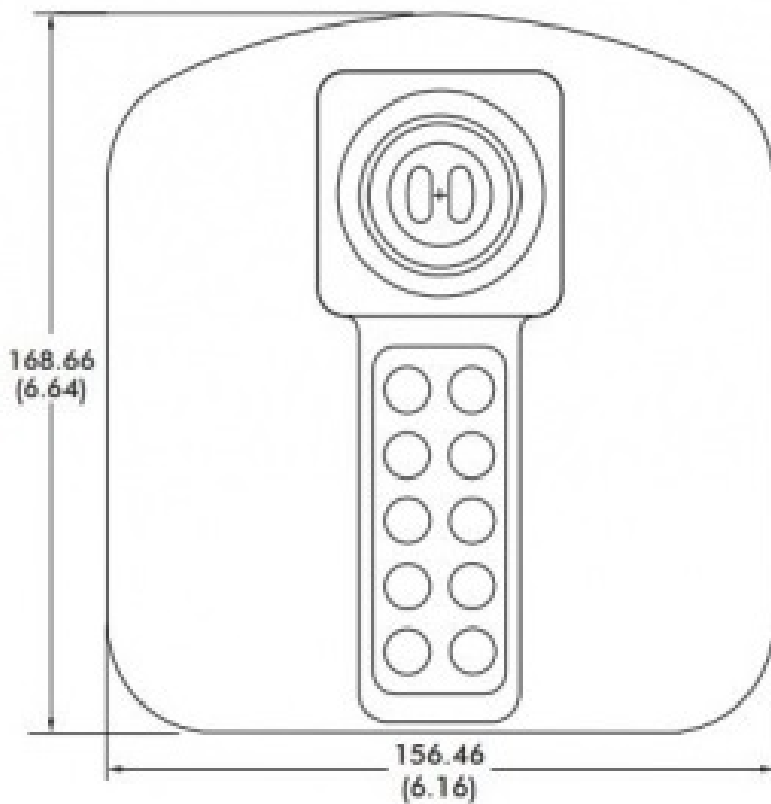
Input voltage	Via USB interface (5V DC)
Power consumption	32mA

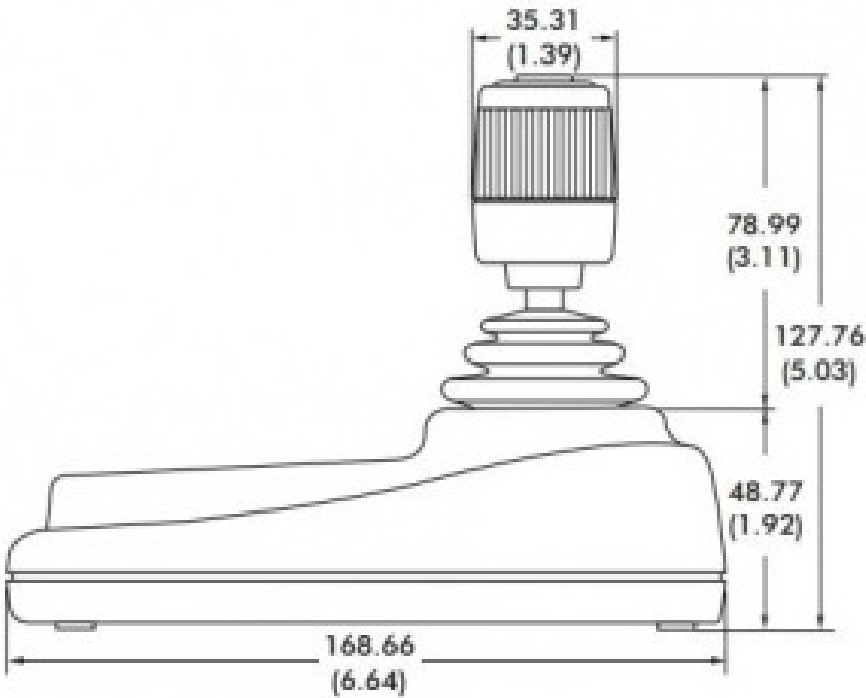
Environmental

Operating temperature	-25°C to +85°C (-13°F to +185°F)
Approvals	EN 55024:1998, EN 55022, CE
	FCC Part 15 Subpart B Class B
	RoHs compliant

Mechanical

Dimensions	127.76(H) x 156.46(W) x 168.66(D) mm (5.03 x 6.16 x 6.64 in.)
Weight	440gr





RELATED



VDG NVH-KEY1002

An easy-to-use, plug-and-play control keyboard.



VDG NVH-KEY1003

PTZ joystick for use with Sense Client, USB
