

PD1024

4MP IP PTZ dome camera with 25x motor zoom lens, IR, 1/2.8" CMOS

DESCRIPTION

The PD1024 is a compact PTZ dome suitable for indoor and outdoor usage. With its 25x optical zoom block, it can stream 4MP resolution images from up close and far away. The camera supports the latest technology such as H.265, for an even better compression of the video stream; to save bandwidth and storage requirements. The PD1024 offers many image enhancement techniques, such as BLC and HLC, Electronic Image Stabilization, Defog and 3D DNR.

FEATURES

1/2.8 Progressive scan CMOS

4.8 to 120 mm zoom lens

2560x1440 (4MP)

120 dB WDR

Triple-stream H.265, H.264 and MJPEG video

Day/Night with IR-cut filter / WDR / BLC

Electronic Image Stabilisation

ONVIF Profile S, T, G



Description

Small form factor moveable PTZ camera

The PD1024 is a compact form factor dome camera with PTZ capabilities. It is the ideal companion camera for building security with active surveillance. With the 25 times zoom capability, it will be possible to overview even the larger halls and walkways.

Multi-encoder & multi-streaming

High-Efficiency Video Coding (HEVC)

H.265 or HEVC is a video compression standard, the successor of H.264. In comparison, H.265 offers about double the compression ratio at the same level of video quality or substantially improved video quality at the same bit rate. Thus saving bandwidth and recording space.

ONVIF

Multiple options are available to easily integrate the PD1024 into a video management system. In support of open standards, the PD1024 is compliant with ONVIF (Profile S, Profile G, Profile T).

Image enhancement

The PD1024 features a set of tools to enhance the image quality, such as smart IR, Defog, BLC, and 3D noise reduction.

Ease of installation

The PD1024 comes with mounting options (separately sold) for pendant wall mounting and pole mounting.

(c) 20250219

Camera	
Image sensor	1/2.8" CMOS
Max. Resolution	2560x1440 (4MP)
Max. Frame rate	30
Minimum scene illumination	0.005 lx (Color); 0.001 lx (B/W); F1.6
Shutter Speed	1 .. 1/30000 s
Lens	Motorized 4.8 .. 120 mm (25x zoom), F1.6, Auto-iris
Field of View	53.3 .. 2.6 deg horizontal, 30.6 .. 1.5 deg vertical
Focus Control	Auto, Semi-auto, Manual
Slow Shutter	Supported
Day/Night	Automatic IR-cut Filter
IR illumination	50 m; 850 nm

Video	
Stream 1 resolutions	2560x1440, 1920x1080, 1280x960, 1280x720
Stream 2 resolutions	640x480, 4CIF, CIF
Stream 3 resolutions	1920x1080, 1280x960, 1280x720, 640x480, 4CIF, CIF
Video Compression	H.265, H.264, MJPEG
H.264 profiles	Baseline profile, Main profile, High profile
H.265 profiles	Main profile
Video Bitrate	32 .. 8000 Kbps
Bitrate Control	CBR, VBR
Number of video output streams	Up to 20
Region of interest	Supported, 8x

Image	
Image control	Brightness, Contrast, Saturation, Sharpness, Whitebalance, AGC
Day/Night control	Day, Night, Auto, Schedule
Wide dynamic range	120 dB
SNR	52 db
Image enhancement	BLC, HLC, Defog, 3DNR, 2DNR
Rotation	0, 180
Privacy masks	Video.1.Image.PrivacyMask.Line
Text and picture overlay	8x Text, Date/time, Camera name, Picture

PTZ	
Pan range	0 .. 360° Endless
Tilt range	-5 .. 90° Auto flip
Pan speed	0.1 .. 350 °/s
Pan speed	0.1 .. 200 deg/s
Preset accuracy	0.1°
PTZ functions	Presets, Tour, Pattern, Pan scan, Tilt scan,

Specs



PTZ

	Random scan, Calibrate North position, Speed by zoom
Number of presets	300

Analytics

Smart analytics	Line crossing, Intrusion detection, Zone enter, Zone exit, Audio exception, Left luggage, Object removed, Face detection
Event detections	Motion detection, Tampering, Network disconnected, IP address conflict, Invalid login, Storage full, Storage error
Event actions	Alarm output, Record video clip, Send message, Upload image

Audio

Audio input	1x Line IN (mono)
Audio output	1x Line OUT (mono)
Compression	G.711ulaw, G.711alaw, G.722.1, G.726, MP2L2, PCM, AAC-LC

Alarm

Input	2x Alarm IN
Output	2x Digital OUT

Network

Interface	RJ45 10 M/100 M self-adaptive Ethernet port
Protocols	TCP, UDP, ICMP, HTTP, FTP, SRTP, RTP, DHCP, DNS, DDNS, RTSP, RTCP, PPPoE, NTP, UPnP, SMTP, SNMP v1/v2/v3, IGMP v1/v2, 802.1x, QoS, IPv4, IPv6, Bonjour, TLS, ONVIF Profile S/G/T, SPI, ISAPI, SMB, NFS, CIFS
Interoperability	ONVIF Profile S/G/T, SPI, ISAPI
Security	Password, Complex password, HTTPS encryption, 802.1x port authentication, EAP, Watermark, IP address filter, Basic authentication, Digest authentication, HTTP authentication, ONVIF WSSE authentication, ONVIF digest authentication, TRTP over HTTPS, RTSP over HTTPS, Logout after idle timeout, Security audit log, TLSv1.2, TLSv1.3, Signed firmware, Secure boot
Web browser	Internet Explorer 11, Microsoft Edge, Google Chrome, Mozilla Firefox
Local Storage	Supported, max. 256 GB

Environmental

Protection Level	IP66
Operating temperature	-30 .. 60 °C (-22 .. 140 °F)
Relative humidity (Operating)	Max. 90% (non-condensing)
Storage temperature	-30 .. 60 °C (-22 .. 140 °F)

Specs



Environmental

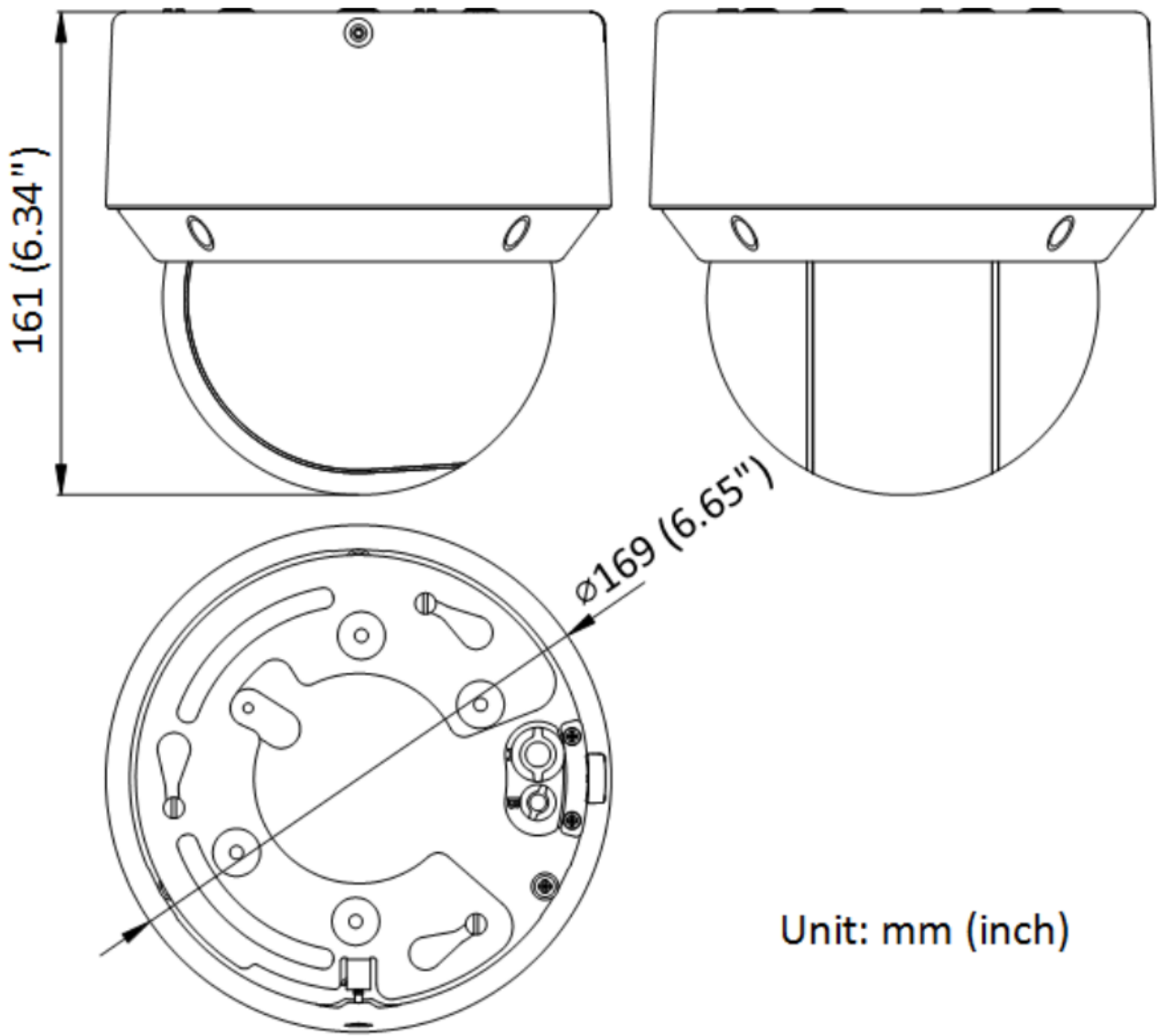
Relative humidity (Storage)	Max. 90% (non-condensing)
Power supply	12VDC (max. 24W)
	PoE 802.3at
Overvoltage protection	TVS 6000V lightning protection, surge protection and voltage transient protection

Mechanical

Material	
Product dimensions	169 x 169 x 161
Product weight	2.5 kg (5.4 lbs)
Package dimensions	216 x 216 x 260
Package weight	3.3 kg (7.3 lbs)

Ordering Information

PD1024	4MP IP PTZ dome camera with 25x motor zoom, IR, 1/2.8" CMOS
JB02	Junction box, for PD1022v2, PD1024
WM18	Wall mount, for PD1022v2, PD1024
PM06	Pole mount, for PD1000/2000-series
CM19	Flush mount, for PD1022v2, PD1024
DC33	Dome cover, transparent, for PD1022v2, PD1024
DC33S	Dome cover, smoked, for PD1022v2, PD1024



RELATED



TKH Security WM18
Wall mount, for PD1022v2, PD1024



TKH Security JB02
Junction box, for PD1022v2, PD1024



TKH Security CM19
Flush mount, for PD1022v2, PD1024



TKH Security DC33
Dome cover, transparent, vandal proof, for PD1022, PD1102v2



TKH Security DC33S
Dome cover, smoked, vandal proof, for PD1022, PD1102v2
