

PD900 (EOL)

3 MP High-speed PTZ dome camera 30x zoom

DESCRIPTION

*** This product is Obsolete as of July 1, 2023; successor model is PD950DC ***

The PD900 is a 3MP IP outdoor PTZ camera with 30x optical zoom lens. Utilizing the latest Technology, PD900 efficiently ensures the low bandwidth by real-time H.264/H.265 streams. Its IP66 waterproof and IK10 vandal resistant housing make it suitable for outdoor usage.

FEATURES

1/2.8 inch Progressive scan CMOS imager

Quad stream H.264, H.265 and MJPEG

3MP @ 30 fps HDR

30x optical zoom, 10x digital zoom

120 dB WDR (HDR)

Support EIS

PT servo feedback

IEEE 802.1x, TACACS+ user authentication

NEMA TS-2

IP66, IK10 vandal proof

ONVIF Profile S, G, and T



Description

Multi-stream high definition

The integrated camera has a multi-stream capability for simultaneous streaming of H.265, H.264 or MJPEG. Up to 4 combinations of resolutions and frame rates can be configured to satisfy different live viewing and recording scenarios.

Open standards

Multiple options are available to easily integrate the PD900 to a video management system. In support of open standards, the PD900 is compliant with a range of VMS's, it supports ONVIF (Profiles S, G, and T) and the Siquira API.

PT Servo feedback

The PD900 pan and tilt motors are controlled by servo feedback, keeping track of the PTZ position at all times. No more drifting PTZ head due to shocks, vibration or vandalism. When the head is forced from its position, it will return immediately.

Power source choices

The PD900 can be powered with 24Vdc, 24 Vac or over the network with PoE+ sources.

Camera	
Image sensor	1/2.8" Progressive scan CMOS
Effective pixels	2065x1553
Min. illumination	0.04 lux Color, 0.002 lux B/W (F/1.6)
Shutter speed	1 to 1/10,000 sec
Day/Night	IR-cut filter
Lens	30x zoom
Iris	P-iris and auto-iris
Focal length	4.3mm to 129 mm (F/1.6)
Horizontal field of view	62° (W) to 2.1° (T)
Lens material	High-grade optical glass

PTZ	
Pan range	360° Continuous rotation
Tilt range	-20° to +90°
Number of presets	256
Preset speed	300°/s
Manual speed	0.1°/s to 90°/s Pan; 0.1°/s to 55°/s Tilt
Preset accuracy	0.16°
Features	Speed by zoom
Sequence Scan	8
Cruise Scan	8
Autopan	4
Body material	Aluminum alloy, ABS
Internal demister/heater	Standard

Image control	
Dynamic range (WDR)	120 dB, dual exposure HDR
White balance	Auto, ATW, Manual, One push
Image settings	Contrast Brightness Saturation Hue Sharpness
SNR	Better than 54dB
Noise reduction	3DNR, 2DNR, Color Low, mid, high (w/ Motion Compensation)
Image Stabilization	Yes (Digital)
Digital zoom	10x
Text and picture overlay	Compass, date & time, 4x line (40 characters each), preset title, image, image transparency
Privacy masks	16
Image rotation	90°, 180°, 270° rotation

Video	
Video compression	H.265, H.264 (main or high profile); MJPEG
Number of compression instances	Any combination of H.265 or H.264 streams with possibly one MJPEG stream.
Supported resolutions	2065x1553 (3MP); 1920x1080; 1280x1024; 1280x720; 1024x768; 800x600;

Specs



Video				
	720x576(D1); 640x480 (VGA); 352x288 (CIF)			
Max streaming (H264/H265/MJPEG)				
60fps	2048x1536	1280x720		
60fps	2048x1536	800x600	720x480	352x240
30fps	2048x1536	1920x1080	1280x1024	1280x1024
30fps (dual shutter WDR)	2048x1536	1920x1080	1280x1024	720x480
Compression bit rate control	Constant bit rate (CBR), variable bit rate (VBR), Low bit rate (LBR)			
Number of video output streams	Up to 20 (RTSP)			
Total output data rate (max)	60 Mb/s			
Video frame rate	1 to 60 fps, 1 to 50 fps			
Analog video output	PAL/NTSC (BNC)			
Audio				
Audio compression	G.711, G.726, AAC, LPCM			
Audio Input	Line in			
Audio Output	Line out			
Data				
Serial port	RS-485, 2-wire			
Protocols	Pelco D, Pelco P			
Connector type	Terminal block			
Analytics				
Loitering Detection	Enter and loiter in a user-defined region			
Intrusion Detection	Enter in a user-defined region			
Wrong Direction	Cross a user-defined unidirectional or bidirectional			
Event detections	Motion Detection, Audio detection, Abandoned Object, Object Removal, Camera Sabotage			
Event Triggers	External Input, Analytics, Network Failure Detection, Periodical Event, Manual Trigger			
Autotracking	Support			
Network				
Local storage	SDHC/SDXC up to 512 GB;			
Network storage	NAS (Support NFS, SMB/CIFS)			
Protocols	IPv4/IPv6 (ICMP), HTTP, HTTPS (TLS1.2), 802.1x, Qos, FTP, SMTP(SSL), UPnP, SNMP(v1/v2/v3/Traps), DNS, DDNS, NTP, RTSP, RTCP, RTP/UDP, TCP/IP, IGMP(v2/v3), DHCP, PPPoE, Pelco D (TCP/UDP), Diamond (TCP/UDP), NTCIP (TCP/UDP), TACACS+			
Security	User authentication, TACACS+, Syslog, Digest authentication (RTSP, HTTP), HTTPS encryption (TLS1.2); IEEE 802.1x port-based network access control, IP filtering			
Standard	ONVIF (Profile S, Profile G, Profile T), Siqua API			
Web browser	IE 9, 10 and 11; limited support for Edge, Chrome, Firefox			
Network interface	10/100 Mb (RJ45)			

Network

Environmental

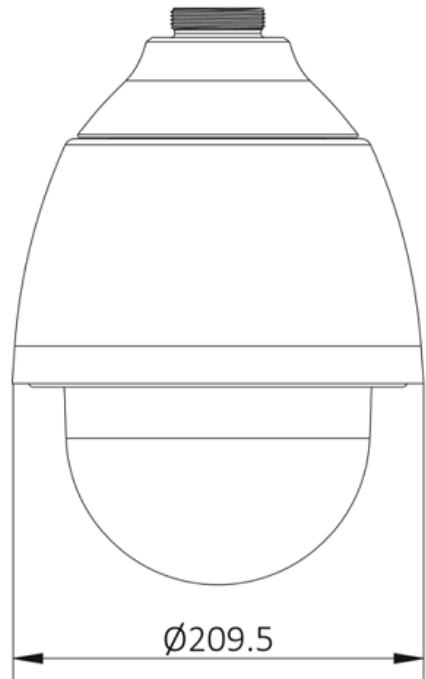
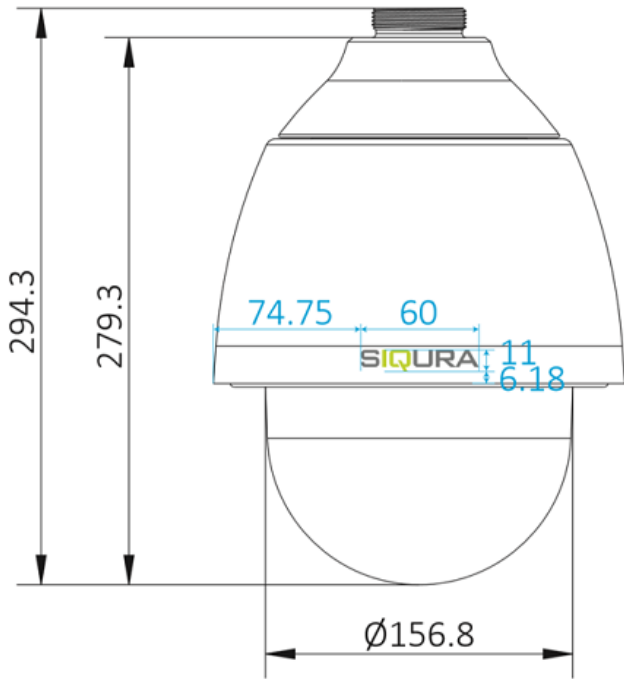
Ingress protection level	IP66
Impact rating	IK10
Overvoltage protection	Lightning Protection, Surge Protection and Voltage Transient Protection
Ambient temperature (NEMA TS-2)	-40 °C to +74 °C (-40 °F to +165 °F)
Relative humidity	5 to 100%
MTBF (@40°C)	>130,000 h
Power supply	24Vdc, 24 Vac, 802.3at, class 4
Power consumption	Max. 25.4 W

Mechanical

Interfaces	
- Ethernet	RJ45
- Alarm in / out	4x / 2x Terminal Block
- 24Vdc, 24Vac	Terminal Block
- Audio in / out	terminal Block
- Video out	BNC Connector
- RS485	Terminal Block
Dimensions	diameter 210 x 279 mm with Sunshield
Weight	2.9 kg
Color	RAL 9003 (signal white)

Ordering information

PD900	3 MP High-speed PTZ dome camera 30x zoom
WM27	Wall mount, for PD9x0
CM27	Ceiling mount 25cm for PD9x0
CM27A	Extension 25cm for CM27
WM12	Wall mount for PD110x and PD9x0 PTZ dome series
WM12B	Wall mount incl. junction box for PD110x and PD9x0 series
WM16	Gooseneck bracket for PD110x and PD9x0 PTZ dome series
WM17	Corner mount for PD110x and PD9x0 PTZ dome series
WM17B	Corner mount incl. junction box for PD110x and PD9x0 series
PM06	Pole mount, for PD9x0-series, 1100-series
PM07	Pole mount for PD110x and PD9x0 PTZ dome series
PM07B	Pole mount incl. junction box for PD110x and PD9x0 series
PM08	Parapet wall mount for PD110x and PD9x0 PTZ dome series
PTM02	Bracket adapter for PD9x0 series
CM11	Ceiling mount for PD110x and PD9x0 PTZ dome series
CM12	Ceiling mount for PD110x and PD9x0 PTZ dome series, 50 cm
CM15	Ceiling mount for PD110x and PD9x0 PTZ dome series, 25 cm
DC34	Dome cover, transparent, vandal proof, for PD900, PD950DC
DC34S	Dome cover, smoked, vandal proof, for PD900, PD950DC



RELATED



TKH Security WM27
Wall mount, for PD9x0



TKH Security PM01
Pole mount, for WM01A, WM27



TKH Security WM05
Corner mount, for WM01A, WM27



TKH Security JB27
Junction box, for WM01A, WM27



TKH Security CM27
Ceiling mount 25cm for PD9x0



TKH Security CM27A
Extension 25cm for CM27



TKH Security CTA01
Cable tail adapter for PD900, PD910, PD920, PD950DC, PD950NW



TKH Security DC34
Dome cover, transparent, for PD900 and PD950DC, 6.2"



TKH Security DC34S
Dome cover, smoked, for PD900 and PD950DC, 6.2"