

# PD910 (EOL)

3 MP high-speed PTZ camera with 40x zoom, IR

## DESCRIPTION

\*\*\* This product is Obsolete as of July 1, 2023; successor model is PD950NW \*\*\*  
 The PD910 is a 3-megapixel IP outdoor PTZ camera. A powerful high-grade 40x optical zoom lens ensures sharp and clear images over a wide range. Built-in IR for zero lux operation. The high-speed pan, tilt, and zoom mechanism and auto-focus give instantaneous and stable focused images. Due to its unique servo feedback control the camera will always maintain its original (PT) position. When forced away from its original position the camera will return immediately.

## FEATURES

---

1/2.8 inch Progressive scan CMOS imager

---

Quad stream H.264, H.265 and MJPEG

---

3MP @ 30 fps HDR

---

40x optical zoom, 10x digital zoom

---

20° tilt above horizon without optical distortion

---

IEEE 802.1x, TACACS+ user authentication

---

NEMA TS-2

---

120 dB WDR (HDR)

---

Supports EIS

---

Built-in IR illumination up to 200 m

---

PT servo feedback

---

ONVIF Profile S, G, and T



## Description

The PD910 is a 3MP intelligent IP outdoor high-speed PTZ camera with built-in IR-illumination and 40x optical zoom. The absence of the dome-cover eliminates problems like optical distortion, IR scattering, or sun glare due to dirt or water on the bubble.

### PT Servo feedback

The PD910 pan and tilt motors are controlled by servo feed back, keeping track of the PTZ position at all times. No more drifting PTZ head due to shocks, vibration or vandalism. When the head is forced from its position, it will return immediately.

### Multi-stream high definition

The integrated camera has multi-stream capability for simultaneous streaming of H.265, H.264 or MJPEG. Up to 4 combinations of resolutions and frame rates can be configured to satisfy different live viewing and recording scenarios.

### Open standards

Multiple options are available to easily integrate the PD910 to a video management system. In support of open standards, the PD910 is compliant with a range of VMS's, it supports ONVIF (Profiles S, G, and T) and the Siqua API.

### Power source choices

The PD910 can be powered with 24 Vdc, 24 Vac or over the network with Hi-PoE sources. (802.3bt Type 3: max 60 W)

Camera	
Image sensor	1/2.8" Progressive scan CMOS
Effective pixels	2065x1553
Min. illumination	0.04 lux Color, 0.002 lux B/W (F/1.6)
Shutter speed	1 to 1/10,000 sec
Day/Night	IR-cut filter
Lens	40x zoom
IR Illumination	850 nm
IR illumination distance	200m
Iris	P-iris and auto-iris
Focal length	4.3mm to 170 mm (F/1.6)
Horizontal field of view	64° (W) to 1.6° (T)
Lens material	High-grade optical glass

PTZ	
Pan range	360° Continuous rotation
Tilt range	-20° to +90°
Tilt travel	-20° to +200° (Mechanical Flip)
Number of presets	256
Pan speed	0.1°/s to 300°/s
Tilt speed	0.1°/s to 300°/s
Preset accuracy	0.16°
Features	Speed by zoom
Sequence Scan	8
Cruise Scan	8
Autopan	4
Body material	Aluminum alloy, ABS
Internal demister/heater	Standard

Image control	
Dynamic range (WDR)	120 dB, dual exposure HDR
White balance	Auto, ATW, Manual, One push
Image settings	Contrast Brightness Saturation Hue Sharpness
SNR	Better than 54dB
Noise reduction	3DNR, 2DNR, Color Low, mid, high (w/ Motion Compensation)
Image Stabilization	Yes (Digital)
Digital zoom	10x
Text and picture overlay	Compass, date & time, 4x line (40 characters each), preset title, image, image transparency
Privacy masks	16

# Specs



## Image control

Image rotation 90°, 180°, 270° rotation

## Video

Video compression H.265, H.264 (main or high profile); MJPEG

Number of compression instances Any combination of H.265 or H.264 streams with possibly one MJPEG stream.

Supported resolutions 2065x1533 (3MP); 1080p30,1280x1024; 720p30; 1024x768; 800x600; 720x576(D1); 640x480 (VGA); 352x288 (CIF)

### Max streaming (H264/H265/MJPEG)

60fps	2048x1536	1280x720		
60fps	2048x1536	800x600	720x480	352x240
30fps	2048x1536	1920x1080	1280x1024	1280x1024
30fps (dual shutter WDR)	2048x1536	1920x1080	1280x1024	720x480

Compression bit rate control Constant bit rate (CBR), variable bit rate (VBR), Low bit rate (LBR)

Number of video output streams Up to 20 (RTSP)

Total output data rate (max) 60 Mb/s

Video frame rate 1 to 60 fps, 1 to 50 fps

Analog video output PAL/NTSC (BNC)

## Audio

Audio compression G.711, G.726, AAC, LPCM

Audio Input Line in

Audio Output Line out

## Data

Serial port RS-485, 2-wire

Protocols Pelco D, Pelco P

Connector type Terminal block

## Analytics

Loitering Detection\* Enter and loiter in a user-defined region

Intrusion Detection\* Enter in a user-defined region

Wrong Direction\* Cross a user-defined unidirectional or bidirectional

Event detections Motion Detection, Audio detection\*, Abandoned Object\*, Object Removal\*, Camera Sabotage\*

# Specs



## Analytics

Event Triggers	External Input, Analytics, Network Failure Detection, Periodical Event, Manual Trigger
*Offer by request	
Autotracking	Support

## Network

Local storage	SDHC/SDXC up to 512 GB;
Network storage	NAS (Support NFS, SMB/CIFS)
Protocols	IPv4/IPv6 (ICMP), HTTP, HTTPS (TLS1.2), 802.1x, Qos, FTP, SMTP(SSL), UPnP, SNMP(v1/v2/v3/Traps), DNS, DDNS, NTP, RTSP, RTCP, RTP/UDP, TCP/IP, IGMP(v2/v3), DHCP, PPPoE, Pelco D (TCP/UDP), Diamond (TCP/UDP), NTCIP (TCP/UDP), TACACS+
Security	User authentication, TACACS+, Syslog, Digest authentication (RTSP, HTTP), HTTPS encryption (TLS1.2); IEEE 802.1x port-based network access control, IP filtering
Standard	ONVIF (Profile S, Profile G, Profile T), Siquira API
Web browser	IE 9, 10 and 11; limited support for Edge, Chrome, Firefox
Network interface	10/100 Mb (RJ45)

## Environmental

Ingress protection level	IP66
Impact rating casing	IK10
Overvoltage protection	Lightning Protection, Surge Protection and Voltage Transient Protection
Ambient temperature (NEMA TS-2)	-40 °C to +74 °C (-40 °F to +165 °F)
Relative humidity	5 to 100%
MTBF (@40°C)	>130,000 h
Vibration (NEMA TS-2)	5 to 30 Hz, 0.5 g during 1 h. (x, y, and z)
Shock (NEMA TS-2)	10 g (x, y, and z)
Max wind velocity	225 km/h (150 mph)
Power supply	24 Vdc, 24 Vac, UPoE
Power consumption	Max. 48 W

## Mechanical

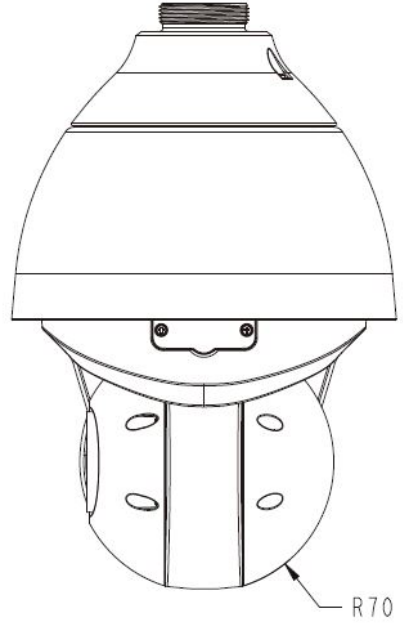
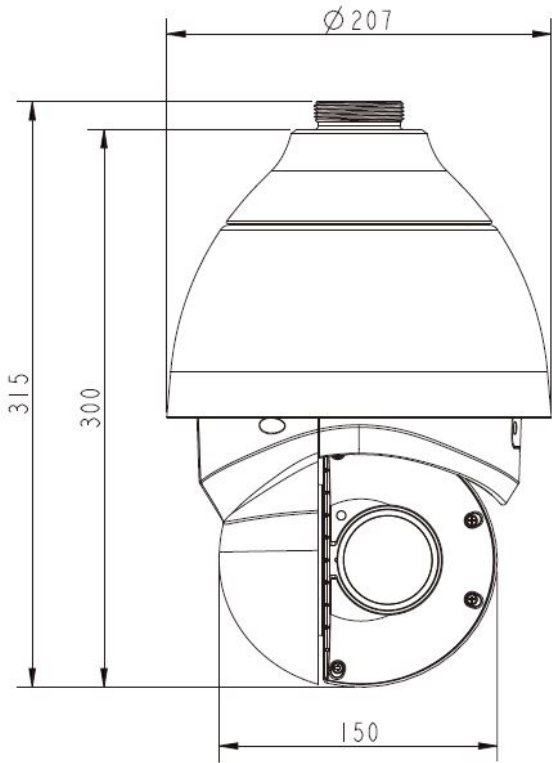
Interfaces	
- Ethernet	RJ45
- Alarm in / out	4x / 2x Terminal Block
- 24Vac/dc	Terminal Block
- Audio in / out	Terminal Block
- Video out	BNC Connector

# Specs



Mechanical	
- RS485	Terminal Block
Dimensions	diameter 207.4 x 300.4 mm with Sunshield
Weight	3.8 kg
Color	RAL 9003 (signal white)

Ordering information	
PD910	3 MP high-speed PTZ camera with 40x zoom, IR
WM27	Wall mount, for PD9x0
CM27	Ceiling mount 25cm for PD9x0
CM27A	Extension 25cm for CM27
WM12	Wall mount for PD110x and PD9x0 PTZ dome series
WM12B	Wall mount incl. junction box for PD110x and PD9x0 series
WM16	Gooseneck bracket for PD110x and PD9x0 PTZ dome series
WM17	Corner mount for PD110x and PD9x0 PTZ dome series
WM17B	Corner mount incl. junction box for PD110x and PD9x0 series
PM06	Pole mount, for PD9x0-series, 1100-series
PM07	Pole mount for PD110x and PD9x0 PTZ dome series
PM07B	Pole mount incl. junction box for PD110x and PD9x0 series
PM08	Parapet wall mount for PD110x and PD9x0 PTZ dome series
PTM02	Bracket adapter for PD9x0 series
CM11	Ceiling mount for PD110x and PD9x0 PTZ dome series
CM12	Ceiling mount for PD110x and PD9x0 PTZ dome series, 50 cm
CM15	Ceiling mount for PD110x and PD9x0 PTZ dome series, 25 cm



## RELATED



**TKH Security WM27**  
Wall mount, for PD9x0



**TKH Security PM01**  
Pole mount, for WMO1A, WM27



**TKH Security WM05**  
Corner mount, for WMO1A, WM27



**TKH Security JB27**  
Junction box, for WMO1A, WM27



**TKH Security CM27**  
Ceiling mount 25cm for PD9x0



**TKH Security CM27A**  
Extension 25cm for CM27



**TKH Security CTA01**  
Cable tail adapter for PD900, PD910, PD920, PD950DC, PD950NW