

# PD950NW

5MP intelligent IP outdoor PTZ camera 40x zoom, IR

## DESCRIPTION

The PD950NW is a 5-megapixel IP outdoor PTZ camera. A powerful high-grade 40x optical zoom lens ensures sharp and clear images over a wide range. Built-in IR for zero lux operation. The high-speed pan, tilt, and zoom mechanism and auto-focus give instantaneous and stable focused images. Due to its unique servo feedback control the camera will always maintain its original (PT) position. When forced away from its original position the camera will return immediately.

## FEATURES

---

1/2.7 inch Progressive scan CMOS imager

---

Quad stream H.264, H.265 and MJPEG

---

Max 5MP 30fps, 1080p 60fps

---

40x optical zoom, 10x digital zoom

---

20° tilt above horizon without optical distortion

---

Secured Streaming, IEEE 802.1x authentication

---

120 dB WDR (HDR)

---

Built-In Gyro, EIS

---

PT servo feedback

---

ONVIF Profile S, G, T, M

---



## Description

### Multi-stream high definition

The camera has the capability to stream simultaneous 4 video streams in H.265, H.264 and MJPEG. Multiple combinations of encoding, resolution and frame rate can be configured to satisfy different live viewing and recording scenarios. Each selected resolution-frame rate combination can be freely set to a stream number. Also, the optimized encoding H.265/HEVC streaming provides the clear images with less transmission bandwidth and storage capacity required.

### Open standards

Multiple options are available to easily integrate the PD950NW to a video management system. In support of open standards, the PD950NW is compliant with a range of VMS's, it supports ONVIF (Profiles S, G, T, M) and the Siquira API.

### PT Servo feedback

The PD950NW pan and tilt motors are controlled by servo feedback, keeping track of the PTZ position at all times. No more drifting PTZ head due to shocks, vibration or vandalism. When the head is forced from its position, it will return immediately.

### Power source choices

The PD950NW can be powered with 24 Vac or over the network with PoE++ (802.3bt) sources.

(c) 20250211

Camera	
Image sensor	1/2.7" CMOS
Max. Resolution	2688x1944 (5MP)
Max. Frame rate	60 (1080p, HDR off)
Minimum scene illumination	0.05 lx (Color); 0.005 lx (B/W); F1.6
Shutter Speed	1 .. 1/10000 s
Lens	Motorized 4.3 .. 170 mm (40x zoom), F1.6, Auto-iris
Field of View	64.5 .. 1.8 ° horizontal, 48.6 .. 1.4 ° vertical
Focus Control	Auto, Manual, Push-AF
Slow Shutter	Supported
Day/Night	Automatic IR-cut Filter
IR illumination	200 m; 850 nm

Video	
Stream 1 resolutions	2688x1944, 2592x1944, 2688x1512, 1920x1080, 1280x1024, 1280x720, 800x600
Stream 2 resolutions	2688x1944, 2592x1944, 2688x1512, 1920x1080, 1280x1024, 1280x720, 800x600, 640x480, 320x240, D1, CIF
Stream 3 resolutions	1920x1080, 1280x1024, 1280x720, 800x600, 640x480, 320x240, D1, CIF
Stream 4 resolutions	320x240
Video Compression	H.265, H.264, MJPEG
H.264 profiles	Main profile, High profile
H.265 profiles	Main profile
Video Bitrate	64 .. 60000 Kbps
Bitrate Control	CBR, VBR, Smart
Number of video output streams	Up to 10
Video output	Supported, 1x (For test/installation only)

Image	
Image control	Brightness, Contrast, Saturation, Sharpness, Whitebalance, AGC
Day/Night control	Auto, Night, Day, Light sensor, Light On, Light Off, Smart
Wide dynamic range	120 dB (Dual exposure HDR)
SNR	52 dB
Image enhancement	BLC, Defog, 3DNR, 2DNR, ColorNR
Rotation	0, 90, 180, 270
Mirror	Horizontal
Privacy masks	24 (Solid, Mosaic)
Text and picture overlay	8x Text, Date/time, Compass (Custom direction texts), Picture
Image stabilization	Supported (Gyro)
Digital Zoom	10x

# Specs



## Image

### PTZ

Pan range	0 .. 360° Endless
Tilt range	-20 .. 100° Mechanical flip
Pan speed	0.1 .. 90 °/s; Preset: max. 300 °/s
Tilt speed	0.1 .. 55 °/s; Preset: max. 300 °/s
Preset accuracy	0.16°
PTZ functions	Presets (256x), Tour (8x), Pattern, Pan scan, Calibrate North position, Speed by zoom
Number of presets	256
Number of sequences	8

### Analytics

Smart analytics	Intrusion detection, Car stopped, Wrong direction, Left luggage, Object removed, Object counting, Loitering, Face detection, Face recognition, License plate recognition, Auto tracking
Event detections	Motion detection, Tampering, Network disconnected, Audio detection, Periodical, Manual trigger
Event actions	Alarm output, Record video clip, Send message, Upload image

### Audio

Audio input	1x Line IN (stereo, 3.5mm connector)
Audio output	1x Line OUT (stereo, 3.5mm connector)
Compression	G.711ulaw, G.711alaw, PCM, AAC

### Data

Serial port	1x RS-485 2-wire
Protocols	Pelco-D, Diamond

### Alarm

Input	4x Alarm IN
Output	2x Digital OUT

### Network

Interface	10Base-T (IEEE 802.3i) / 100Base-TX (FE, IEEE 802.3u) / 1000Base-T (GbE, IEEE 802.3ab), Self-adaptive RJ45
Protocols	TCP, UDP, ICMP, HTTP, FTP, RTP, SRTP, DHCP, DNS, DDNS, RTSP, RTCP, PPPoE, NTP, UPnP, SMTP, SNMP v1/v2/v3, IGMP v1/v2/v3, 802.1x, QoS, IPv4, IPv6, SSL, TLS v1.0/v1.1/v1.2, ONVIF Profile S/G/T/M, SPI, DC, SMB, NFS, CIFS, TACACS+, NTCIP 1205, Diamond
Interoperability	ONVIF Profile S/G/T/M, SPI, DC

# Specs



Network	
Security	Password, Complex password, HTTPS encryption, 802.1x port authentication, EAP, IP address filter, Basic authentication, Digest authentication, HTTP authentication, ONVIF digest authentication, RTSP over HTTPS, TLSv1.2 (HTTPS, 802.1x), TLSv1.3 (HTTPS, 802.1x), SRTP, Signed firmware, Secure boot
Web browser	Internet Explorer 11, Microsoft Edge, Google Chrome, Mozilla Firefox
Local Storage	uSD, uSDHC, uSDXC, max. 512 GB

Environmental	
Protection Level	IP66, IK10
Operating temperature	-40 .. 74 °C (-40 .. 165.2 °F) (conform NEMA TS2)
Relative humidity (Operating)	Max. 95% (non-condensing)
Storage temperature	-20 .. 70 °C (-4 .. 158 °F)
Relative humidity (Storage)	Max. 60% (non-condensing)
Demister/Heater	Built-in
Power supply	24VAC (max. 78W), PoE 802.3bt type 3 (max. 51 W) Heater: 10W, Lamps: 18W

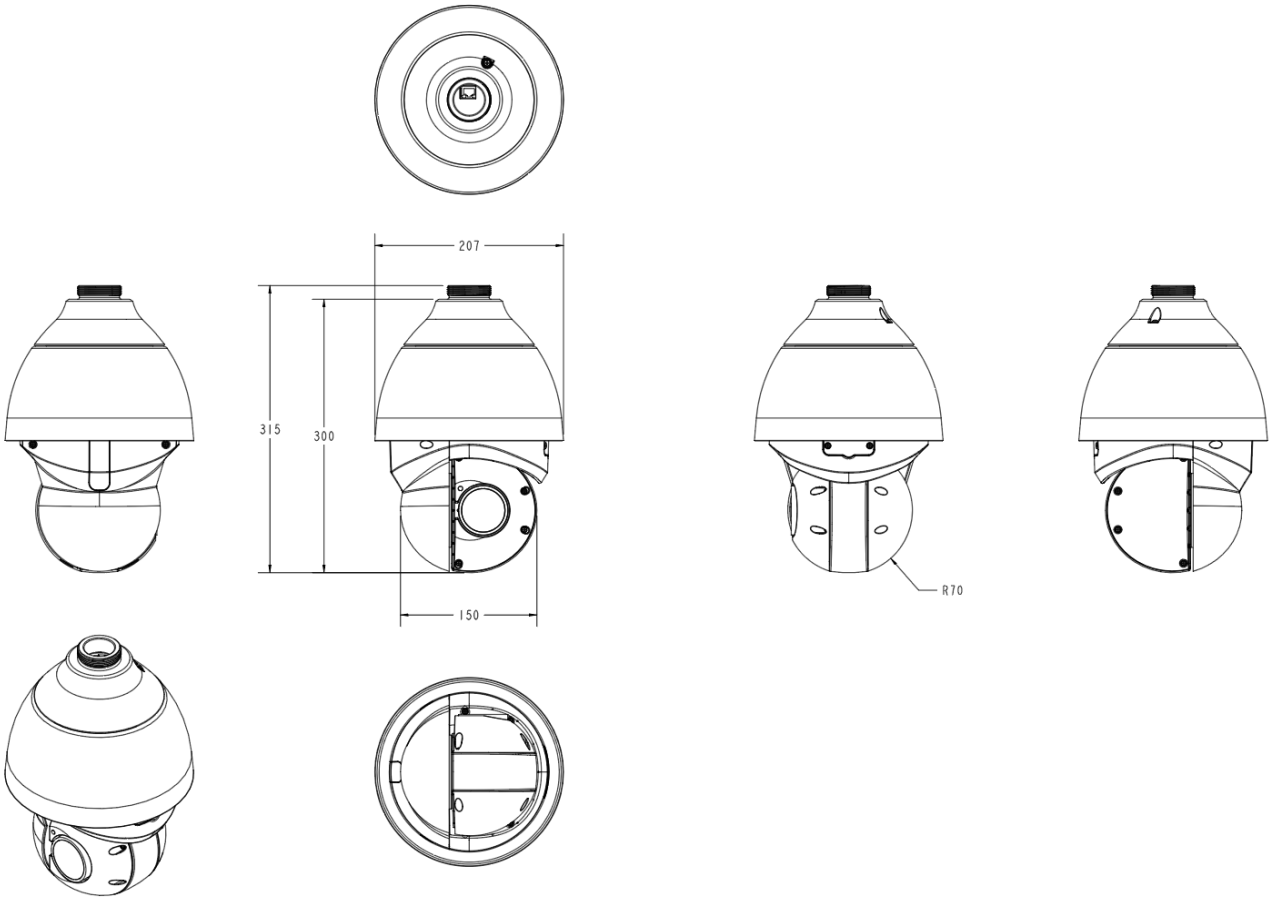
Mechanical	
Material	Aluminium, ABS
Product dimensions	207 x 207 x 300
Product weight	
Package dimensions	405 x 250 x 370
Package weight	5.8 kg (12.8 lbs)

Ordering Information	
PD950NW	5MP IP Pendant PTZ camera with 40x motor zoom, IR, 1/2.7" CMOS
WM27	Wall mount, for PD9x0
CM27	Ceiling mount 25cm for PD9x0
CM27A	Extension 25cm for CM27
WM12	Wall mount for PD110x and PD9x0 PTZ dome series
WM12B	Wall mount incl. junction box for PD110x and PD9x0 series
WM16	Gooseneck bracket for PD110x and PD9x0 PTZ dome series
WM17	Corner mount for PD110x and PD9x0 PTZ dome series
WM17B	Corner mount incl. junction box for PD110x and PD9x0 series
PM06	Pole mount, for PD9x0-series, 1100-series
PM07	Pole mount for PD110x and PD9x0 PTZ dome series
PM07B	Pole mount incl. junction box for PD110x and PD9x0 series
PM08	Parapet wall mount for PD110x and PD9x0 PTZ dome series

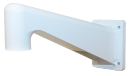
# Specs



Ordering Information	
PTM02	Bracket adapter for PD9x0 series
CM11	Ceiling mount for PD110x and PD9x0 PTZ dome series
CM12	Ceiling mount for PD110x and PD9x0 PTZ dome series, 50 cm
CM15	Ceiling mount for PD110x and PD9x0 PTZ dome series, 25 cm



## RELATED



**TKH Security WM27**  
Wall mount, for PD9x0



**TKH Security PM01**  
Pole mount, for WM01A, WM27



**TKH Security WM05**  
Corner mount, for WM01A, WM27



**TKH Security JB27**  
Junction box, for WM01A, WM27



**TKH Security CM27**  
Ceiling mount 25cm for PD9x0



**TKH Security CM27A**  
Extension 25cm for CM27



**TKH Security CTA01**  
Cable tail adapter for PD900, PD910, PD920, PD950DC, PD950NW