

PM07

Pole mount, for PD20xx PTZ dome series

DESCRIPTION

The PM07 is a pole mount for the PD20xx PTZ dome series cameras.

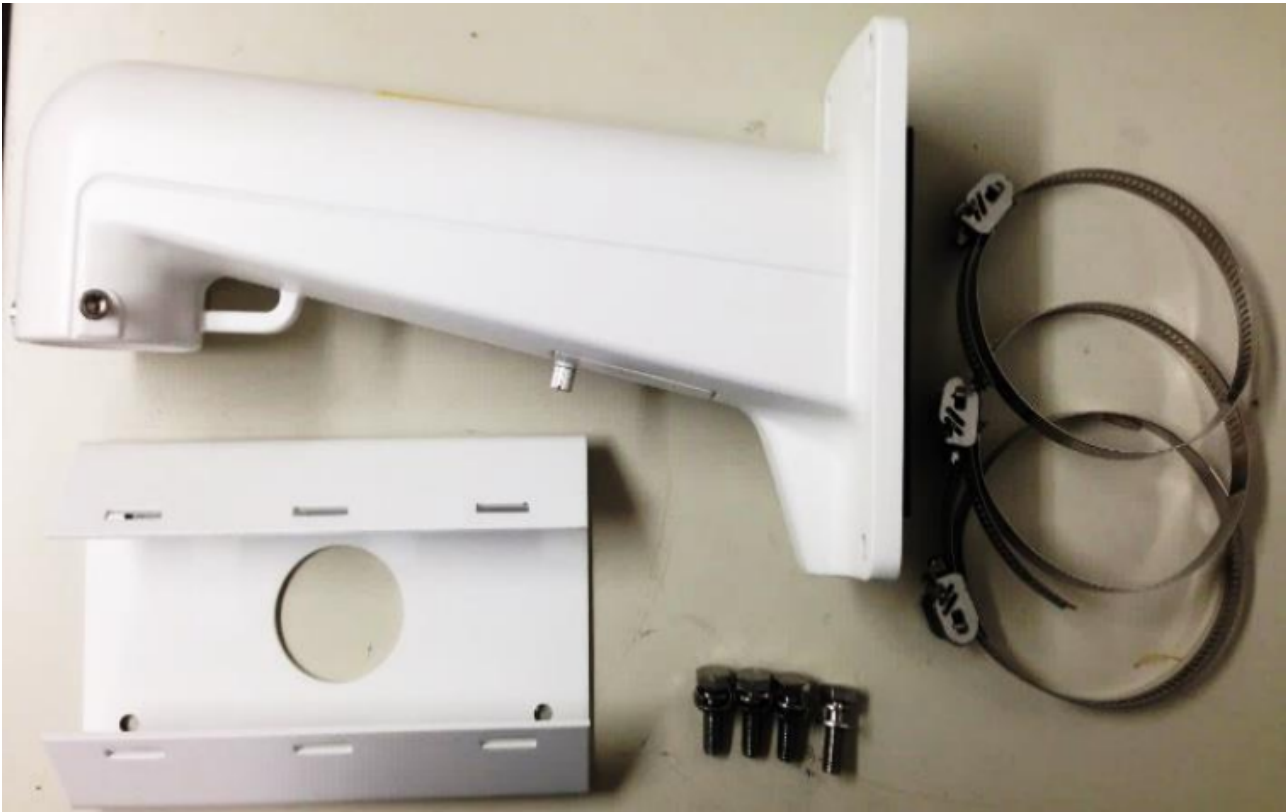


Mechanical

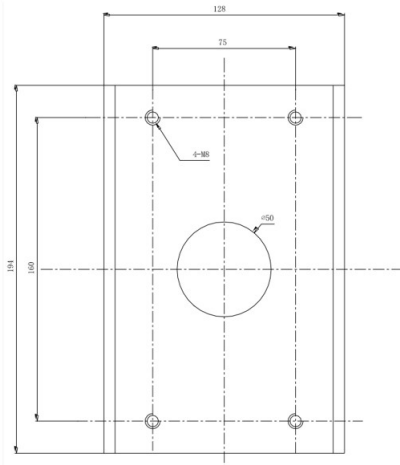
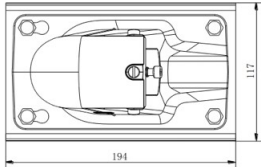
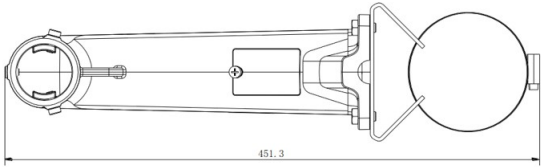
Material	Aluminium alloy and Steel
Color	RAL 9003 (signal white)
Dimensions (H x W x D)	117 x 194 x 451 mm (4.61 x 7.64 x 17.76 in)
Diameter	67 - 127 mm (2.64 - 5.00 in)
Weight	2.0 kg (4.5 lbs)

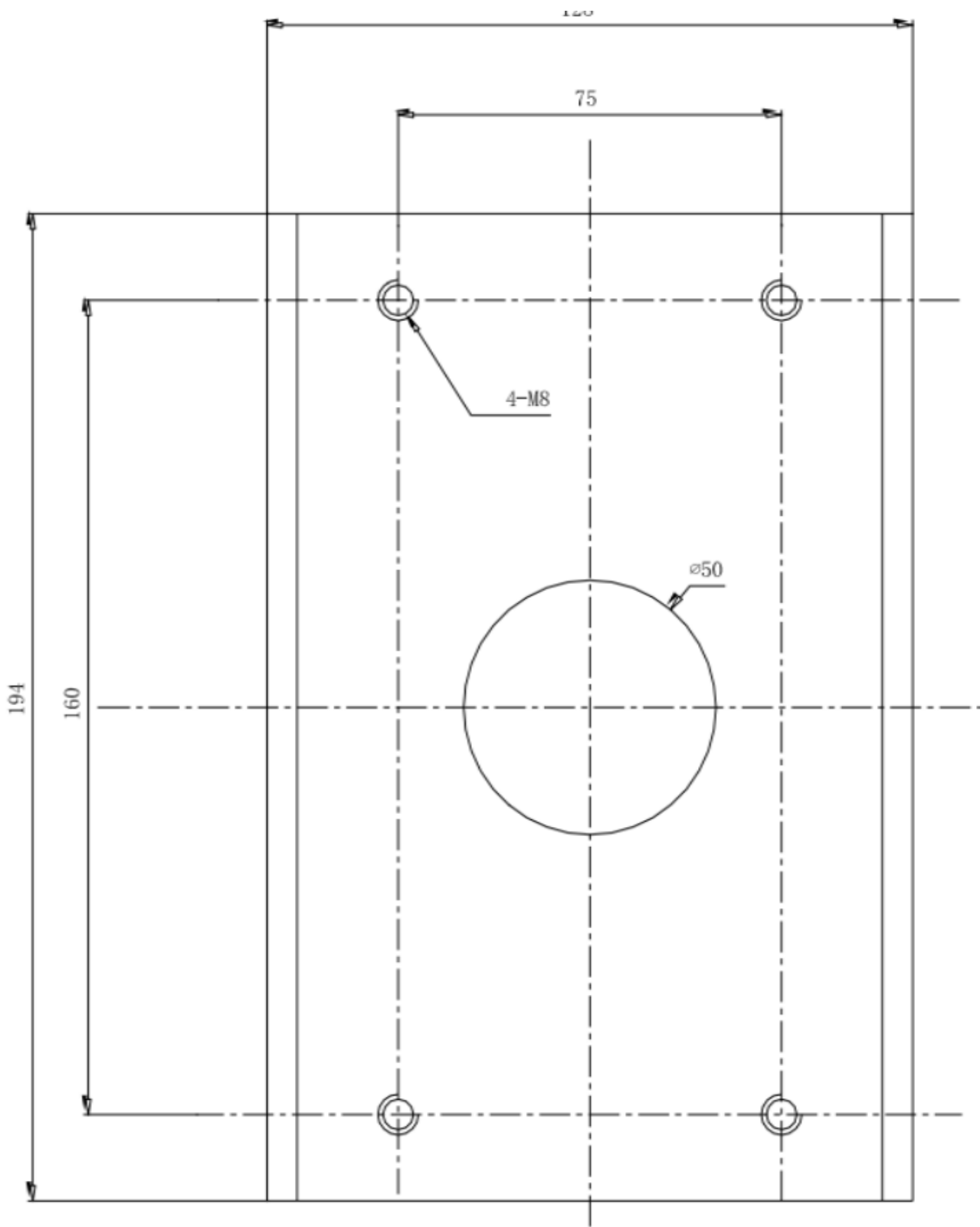
Ordering Information

PM07	Pole mount, for PD20xx PTZ dome series
------	--



PM07 Dimension





RELATED



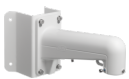
TKH Security WM12
Wall mount, for PD20xx PTZ dome series



TKH Security WM12B
Wall mount with junction box, for PD20xx PTZ dome series



TKH Security PM07B
Pole mount with junction box, for PD20xx PTZ dome series



TKH Security WM17
Corner mount, for PD20xx PTZ dome series



TKH Security WM17B
Corner mount with junction box, for PD20xx PTZ dome series



TKH Security CM11
Ceiling mount, for PD20xx-series PTZ cameras



TKH Security CM15
Ceiling mount, for PD20xx-series PTZ cameras, 25cm



TKH Security WM16
Gooseneck mount, for PD20xx PTZ dome series
