

PM27JB

Pole mount, for JB27

DESCRIPTION

The PM27JB is a pole mount for the JB27 junction box.

FEATURES

SPCC

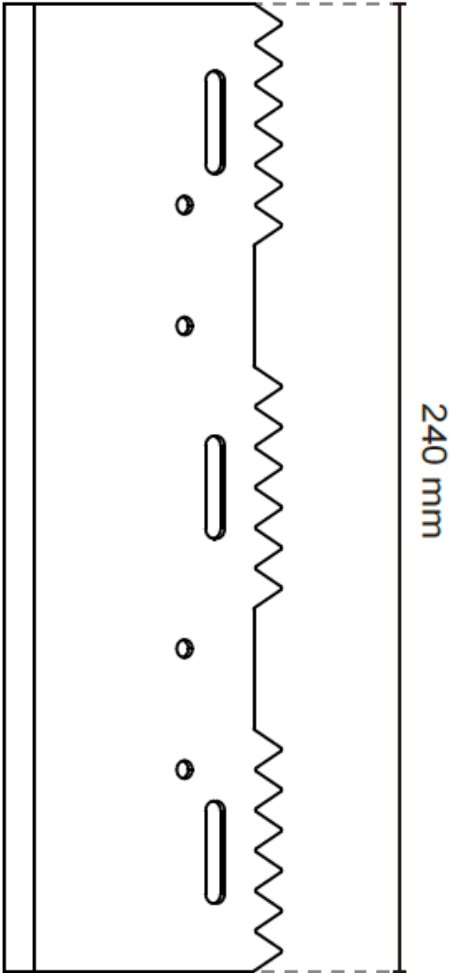
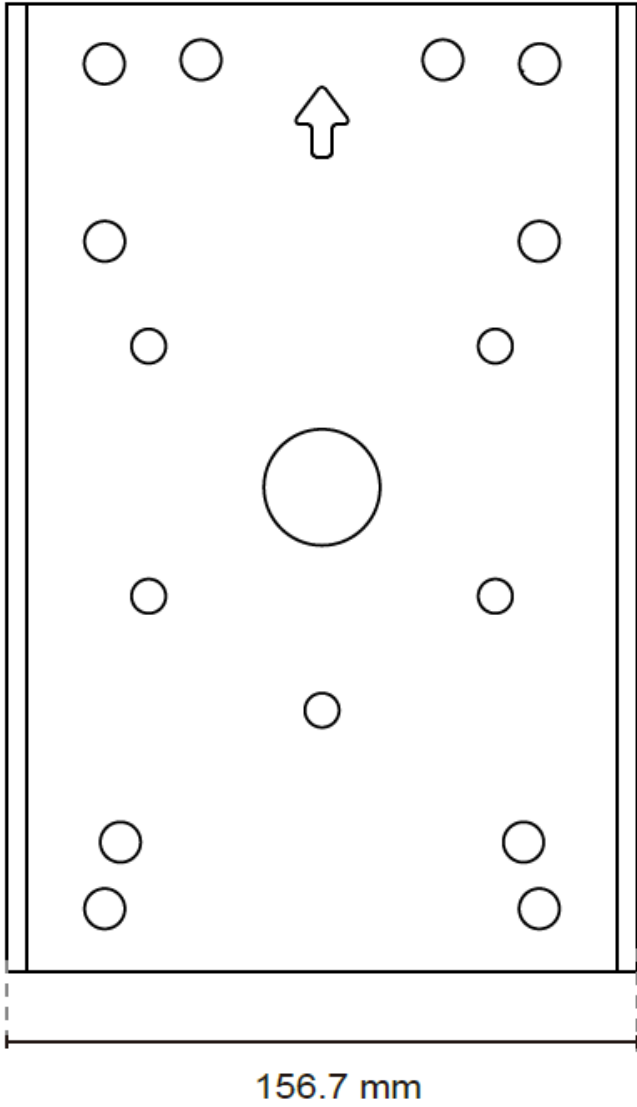
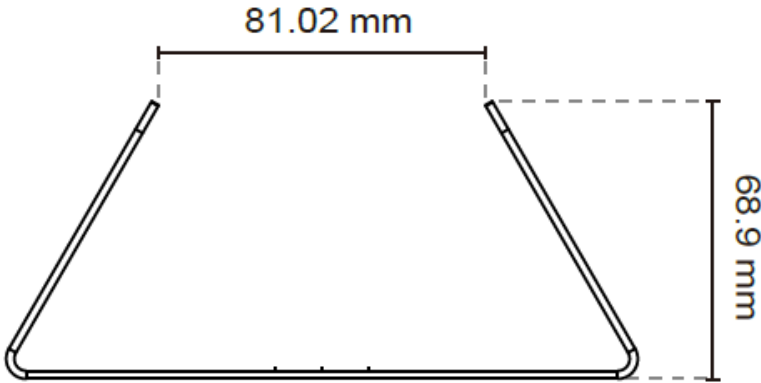


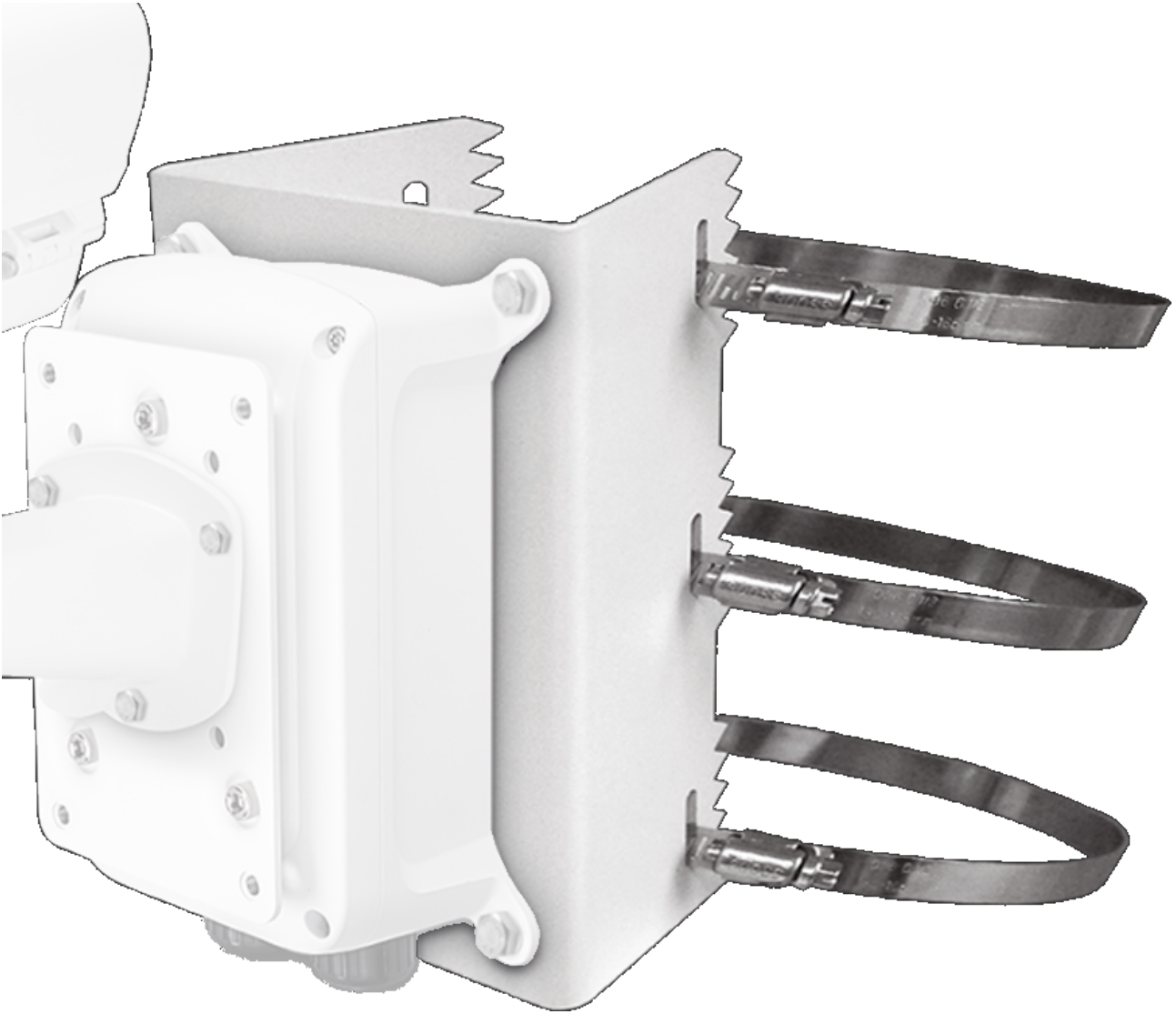
Mechanical

| | |
|------------------------|-------------------------|
| Materials | SPCC |
| Dimensions (L x W x H) | 240 x 156.7 x 68.9 (mm) |
| Color | White |
| Max. Load | 25 kg |
| Weight | 1.26 kg |

Ordering Information

| | |
|--------|-------------------------------|
| PM27JB | Pole mount, for JB27 |
| JB27 | Junction box, for WMO1A, WM27 |
| WM27JB | Corner mount, for JB27 |
| WM27 | Wall mount, for PD9xO |





RELATED



TKH Security JB27
Junction box, for WMO1A, WM27



TKH Security WM27JB
Corner mount, for JB27



TKH Security WM27
Wall mount, for PD9x0
