

SA-FIX T (EOL)

316L all weather fixed IP camera

DESCRIPTION

*** Discontinued. Replaced by SA3-FIX T***

The SA-FIX T camera housing is a rugged corrosion proof camera housing designed for thermal imaging to be used in onshore, offshore, marine and heavy industrial environments. The camera housing is constructed from electro-polished 316L stainless steel for maximum corrosion protection and is fitted with an 316L sun-shield and a thermostatically controlled heater element. The housing is not sold separately, it is only available in combination with a Siqura thermal module TC-336 or TC-640 and an interface (INT-RJ/SM/MM).

FEATURES

Corrosion protected 316L stainless-steel

Hard carbon coated germanium window diameter 50 mm

Suited for 7.5, 9, 13, 19, 25, 35, 50 mm thermal lenses

Integrated power supply (24, 115 or 230 Vac)

Low maintenance

Integrated heater

Electro-polished 316L sun-shield



Description

Thermal imaging

The SA-FIX T is fitted with a hard carbon coated germanium window, specially made to house Siquira's thermal modules TC-336 or TC-640 up to a 50 mm lens. Making thermal imaging or night vision possible in extreme environmental conditions.

Corrosion free 316L construction.

The SA-FIX T housing is suited to be used in salty or sulfur rich environments. 100% of the camera housing is made of corrosion proof 316L steel. The germanium window is treated with a special hard carbon coating (DLC) to protect it against scratches and chemical substances.

(c) 20240802

Mechanical

Ingress protection rating	IP66/ IP67
Impact rating (casing)	IK10
Body material	Electro-polished 316L stainless steel
Window	diameter 50 mm AR/DCL coated germanium window
Sunshield	Standard
Operating temperature	-40 °C to +75 °C (-40 °F to +167 °F)
Cable entry	2x M20
Weight	7 kg

Electrical

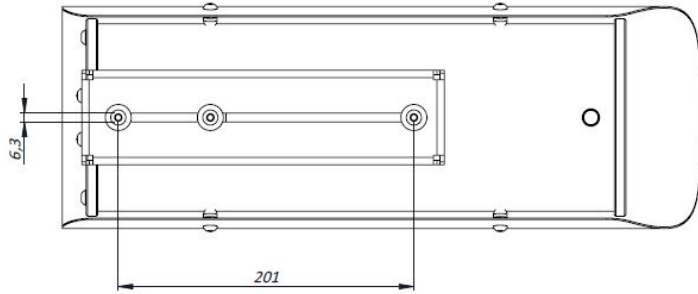
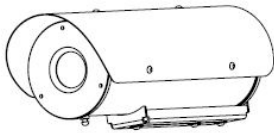
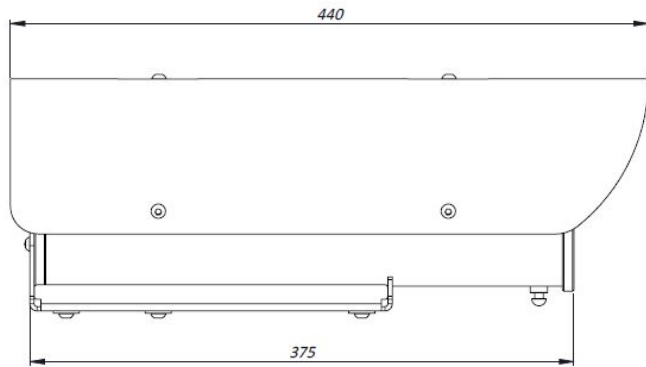
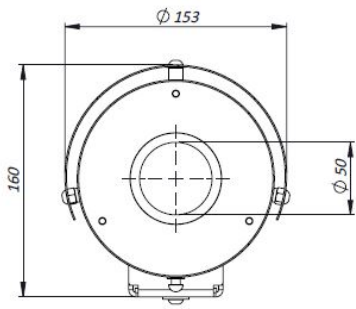
Power rating	SA-FIX24T	SA-FIX115T	SA-FIX230T
	24 Vac +/-10%	115 Vac +/-10%	230 Vac +/-10%
	50/60Hz	50/60Hz	50/60Hz
Internal Heater	Standard		
- Heater control	On:12°C +/- 4°C; Off: 20°C +/- 3°C		
- Heater power dissipation	10W		

Ordering information

SA-FIX24T	Safe Area Fixed Thermal Camera 316L 24VAC
SA-FIX115T	Safe Area Fixed Thermal Camera 316L 115VAC
SA-FIX230T	Safe Area Fixed Thermal Camera 316L 230VAC

Maintenance kits

SA-MK F	Maintenance kit SA Fixed camera: O-Ring, screws, 2 cable glands, desiccant bags
---------	---



Housing	Optical camera	Thermal camera			Interface				
	BC822v2H3-SA	TC(R1)-336	TC(R1)-640	INT-RJ	INT-RJ5 INT-RJ10	INT-SM	INT-SM5 INT-SM10	INT-MM	INT-MM5 INT-MM10
SA-FIX24	✓			✓		✓		✓	
SA-FIX24W	✓			✓		✓		✓	
SA-FIX24T	✓	✓	✓	✓		✓		✓	
SA-PTZ24	✓			✓					
SA-PTZ24T		✓	✓	✓					
SA-PTZ24D	✓	✓	✓	✓					

This chart also applies to the SA cameras versions for 115 Vac and 230 Vac.

RELATED



Siqura SA mounting accessories

316L Mounting accessories for the SA-FIX and SA-PTZ series



Siqura INT-RJ / INT-SM / INT-MM (EoL)

Network Interface and cable tail of the Siqura SA or EX cameras



Siqura

316L all weather fixed IP camera
