

SA MOUNTING ACCESSORIES

316L Mounting accessories for the SA-FIX and SA-PTZ series

DESCRIPTION

Robust and corrosion-free mounting accessories for the SA-FIX and SA-PTZ industrial camera series

FEATURES

316L corrosion free stainless steel

Suited for onshore, offshore, marine, and heavy industry

Robust and easy to install

SA-FIX and SA-PTZ series

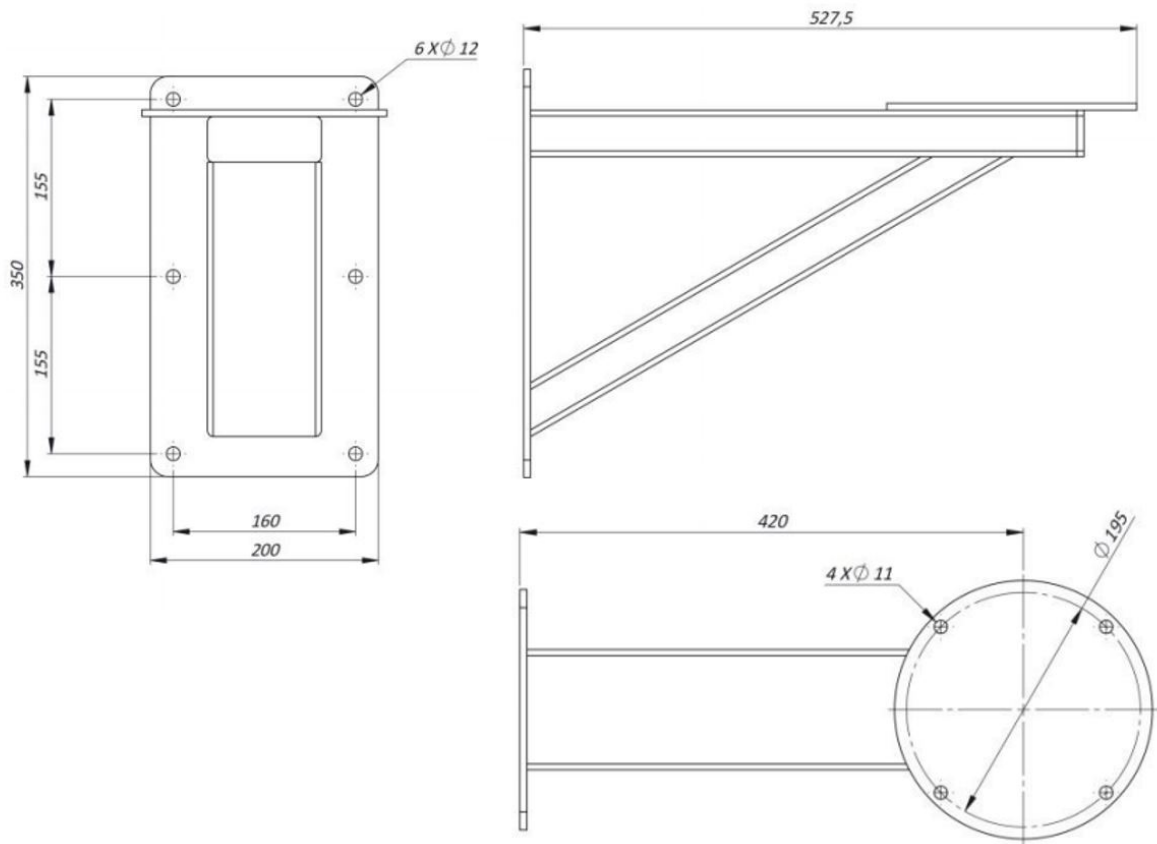


Description

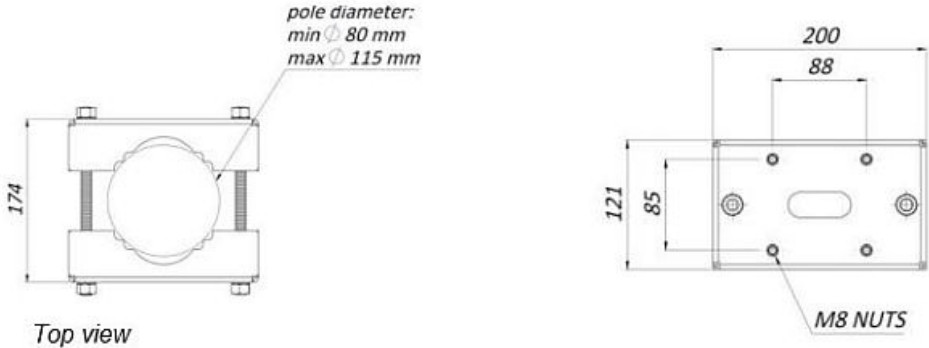
Robust 316L mounting brackets for the safe-area fixed (SA-FIX) and PTZ camera stations (SA-PTZ).

Ordering information

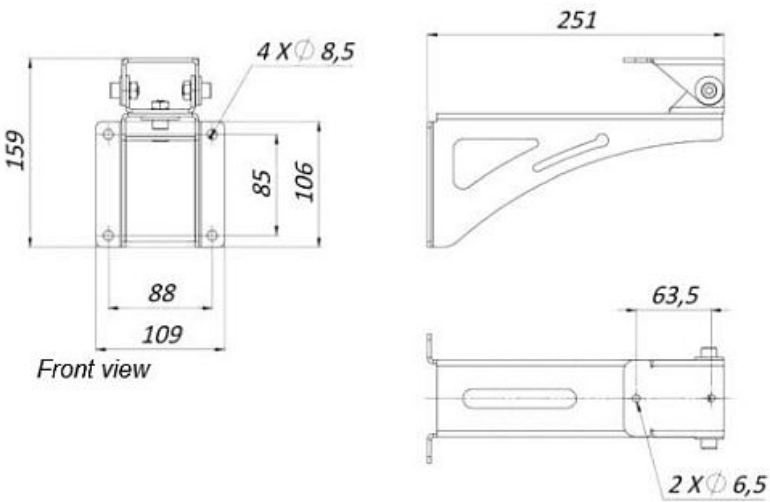
SA-PTZ WMO1	316L wall mounting bracket for SA PTZ camera housings (8 kg)
SA-FIX PMO1	316L pole mounting adapter for SA wall mounting bracket F (5 kg)
SA-FIX WMO1	316L wall mounting bracket for SA fixed camera housings (2 kg)
SA-FIX PTMO1	316L Pole TOP Mounting bracket for SA fixed camera housing (1 kg)
EX/SA-MB-2FIX	316L bracket for mounting EX/SA-FIX with EX/SA-FIX IR illuminator
Note: Fits on EX-FIX WMO1 wall mount or EX-FIX PTMO1 pole top mount.	



Dimensions SA pole mounting adapter F



Dimensions SA wall mounting bracket F (in mm)



Dimensions SA Pole Top Mounting F (in mm)

