

# SA-PTZ D-IR

Safe Area PTZ camera with integrated IR, 316L

## DESCRIPTION

The SA-PTZ D-IR camera housing is a rugged corrosion proof dual head camera station designed for use in onshore, offshore, marine and heavy industrial environments. The combination of infrared illumination and a low light camera facilitates 24/7 remote camera surveillance and analytics. The dual-head camera housing is not sold separately, it is only available in combination with a Siquira BC822v2H3-AS or BC980H2-AS, and an interface (INT-RJ, INT-SM or INT-MM)

## FEATURES

---

Corrosion protected 316L stainless-steel

---

360° Continuous pan and +/-90° tilt

---

Integrated 850 nm IR-LED illuminator

---

34° beam pattern

---

IP66 / IP67

---

Integrated power supply (24, 115 or 230 Vac)

---

Integrated heater and wiper

---

Electro-polished 316L sun-shields

---

Low maintenance

---



## Description

### Day-Night camera

One of the heads of the dual head camera is fitted with Siquira's 33x zoom ip camera, the bc822v2H3-AS or the 22x zoom 4K BC980H2-AS. This part is standard equipped with a wiper and prepared for a washer installation. A 10 liter pressurized washer tank can be obtained separately.

### IR-Illumination

The other tube of the dual-head is fitted with a 14-LED infrared illuminator. This powerful IR-LED array gives a circular beam pattern of 34 degrees, enough to observe a person at long distances.

### Corrosion free 316L construction

The dual head PTZ camera is made of corrosion proof 316L stainless steel suited to operate in salty or sulfur rich environments.

### Integrated heater

The camera is fitted with a thermal controlled heater. It regulates the humidity inside the camera and prevents ice or condensation forming on the optical window.

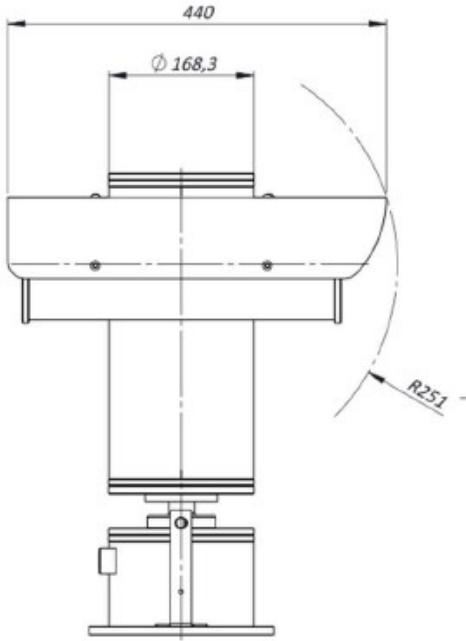
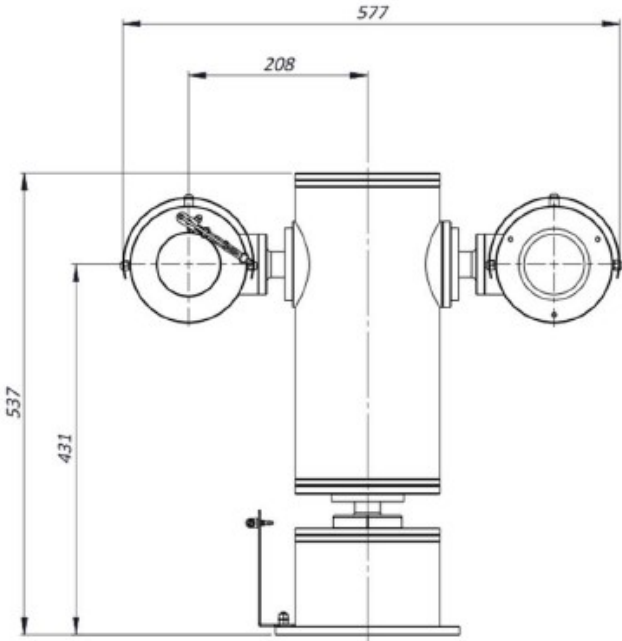
Mechanical	
Ingress protection rating	IP66 / IP67
Body material	Electro-polished 316L stainless steel
Window	High-Grade Tempered Optical Glass
Sunshield	2x, Standard
Rotation	360° Continuous rotation
Tilt angle	+90° to -90°
Variable speed	up to 36°/sec pan and 18°/sec tilt (peak)
Backlash	0.1°
Preset accuracy	0.04°
Operating temperature (Tamb)	-20 °C to +60 °C (-4 °F to +140 °F)
Relative humidity	5% to 100%
Cable entry	1x M25x1.5
Weight	43.5 kg

Electrical			
IR illuminator	14x SMD Led illuminator		
Wavelength	850nm		
Beam-pattern	34° circular		
Power rating	EX-PTZ24D-IR	EX-PTZ115D-IR	EX-PTZ230D-IR
	24 Vac +/-10%	115 Vac +/-10%	230 Vac +/-10%
	50/60Hz	50/60Hz	50/60Hz
Max power consumption	120W	120W	120W
Internal Heater	Standard		
- Heater control	On:12°C +/- 4°C; Off: 20°C +/- 3°C		
Integrated wiper	Standard on the optical window		
Washer	Optional (SA-WP10)		

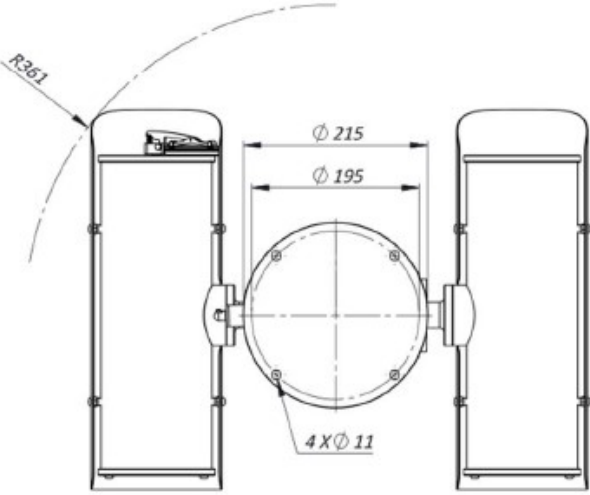
Ordering information	
SA-PTZ24D-IR	Safe Area PTZ camera with integrated IR, 316L 24VAC
SA-PTZ115D-IR	Safe Area PTZ camera with integrated IR, 316L 115VAC
SA-PTZ230D-IR	Safe Area PTZ camera with integrated IR, 316L 230VAC

Maintenance kits	
SA-MK PTZ	Maintenance kit SA PTZ camera: O-Ring, screws, desiccant bags
EX/SA-Wiper	Replacement for Stainless steel wiper (complete assembly)

DIMENSIONS IN MM



MOUNTING PATTERN



## RELATED

---



### **Siquira BC822v2H3-AS**

Assembly 33x zoom IP camera, 3MP, AF, Day/night, H.265/H.264

---



### **TKH Security BC980H2-AS**

8MP IP Box camera with integrated 22x zoom lens

---



### **Siquira SA mounting accessories**

316L Mounting accessories for the SA-FIX and SA-PTZ series

---



### **Siquira INT-RJ / INT-SM / INT-MM**

Network Interface and cable tail of the Siquira SA or EX cameras

---



### **Siquira SA-WP10**

10 liters washer tank, pump 10 m, float sw, 316L frame

---