

# SA-PTZ (EOL)

## Safe Area PTZ Camera 316L

### DESCRIPTION

\*\*\* Discontinued. Replaced by SA3-PTZ\*\*\*

The SA-PTZ camera housing is a rugged corrosion proof PTZ camera station designed for use in onshore, offshore, marine and heavy industrial environments. The camera housing is constructed from electro-polished 316L stainless steel for maximum corrosion protection and is fitted with an 316L sun-shield, a thermostatically controlled heater, and integrated wiper. Combined with a IP zoom camera the SA-PTZ transforms in a full featured PTZ camera station. The housing is not sold separately, it is only available in combination with a Siquira daylight camera module, such as the BC822v2H3-AS or the 22x zoom 4K BC980H2-AS, and an 100Mb Ethernet interface (INT-RJ).

### FEATURES

---

Corrosion protected 316L stainless-steel

---

Ingress protection rating IP66 and IP67

---

360° Continuous rotation, -90° to +90° tilt range

---

Integrated power supply (24, 115 or 230 Vac)

---

Integrated heater and wiper

---

Electro-polished 316L sun-shield

---

Low maintenance

---



## Description

### **Corrosion free 316L construction**

The compact SA-PTZ is designed to withstand the heavy mechanical stress and vibration on board a marine vessel. The PTZ camera is made of corrosion proof 316L stainless steel suited to operate in salty or sulfur rich environments.

### **Integrated wiper and heater**

The camera is standard equipped with wiper and prepared for installing a washer hose and nozzle. A 10 litre washer tank with pump and hose is sold separately. The built-in heater regulates the humidity inside the camera and prevents ice or condensation to form on the camera's window.

### **Special options**

This camera is normally used in upright position, in special cases it is possible to have this camera modified mount it up-side down. Vessels that operate in polar regions require ICE Class cameras, running at an ambient temperature down to  $-30^{\circ}\text{C}$ . These temperatures require different sealing materials and grease. Please, contact Siqura for these special models. (c) 20240802

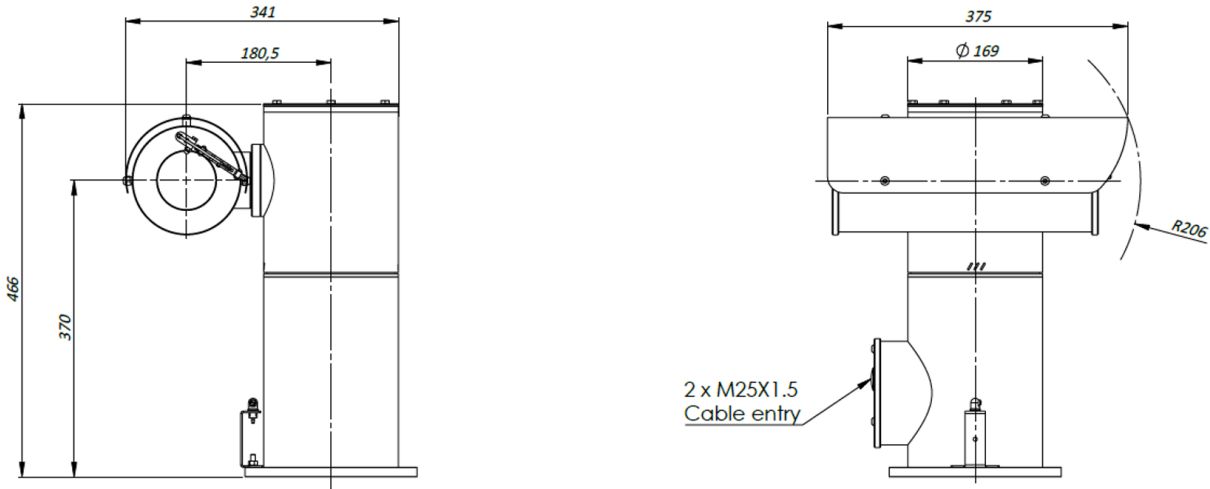
Mechanical	
Ingress protection rating	IP66 / IP67
Impact rating (casing)	IK10
Body material	Electro-polished 316L stainless steel
Widow	High grade optical glass
- Size	diameter 72 mm
Sunshield	Standard
Rotation	360° Continuous rotation
Tilt angle	+90° to -90°
Variable speed	up to 36°/sec pan and 18°/sec tilt (peak)
Drive mechanism	Direct drive
Backlash	<0.1°
Preset accuracy	0.04°
Operating temperature	-20 °C to +75 °C (-4 °F to +167 °F)
Cable entry	2x M25
Weight	25 kg

Electrical			
Power rating	SA-PTZ24	SA-PTZ115	SA-PTZ230
- Voltage	24 Vac +/-10%	115 Vac +/-10%	230 Vac +/-10%
- Frequency	50/60Hz	50/60Hz	50/60Hz
- Dissipation	80 W max	80 W max	80 W max
Internal Heater	Standard		
- Heater control	On:12°C +/- 4°C; Off: 20°C +/- 3°C		
- Heater power dissipation	18W		
Integrated wiper	Standard		
- Wiper dissipation	4 W		
Washer	Optional (SA-WP10)		

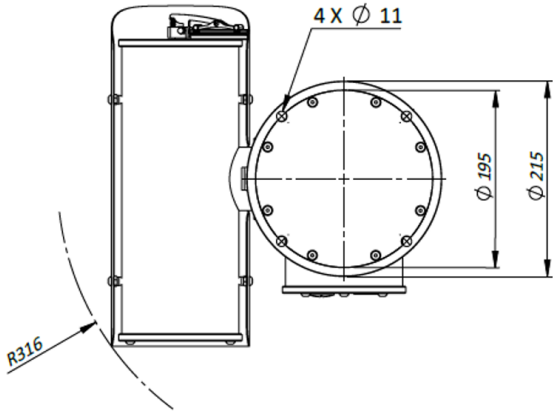
Ordering information	
SA-PTZ24	Safe Area PTZ Camera 316L 24VAC
SA-PTZ115	Safe Area PTZ Camera 316L 115VAC
SA-PTZ230	Safe Area PTZ Camera 316L 230VAC

Maintenance kits	
EX/SA-MK Wiper	Maintenance kit for the wiper: Rubber blade and support
EX/SA-Wiper	Replacement for Stainless steel wiper (complete assembly)

**DIMENSIONS IN MM**



**MOUNTING PATTERN**



## RELATED

---



### **Siqua BC822v2H3-AS**

Assembly 33x zoom IP camera, 3MP, AF, Day/night, H.265/H.264

---



### **TKH Security BC980H2-AS**

8MP IP Box camera with integrated 22x zoom lens

---



### **Siqua SA mounting accessories**

316L Mounting accessories for the SA-FIX and SA-PTZ series

---



### **Siqua INT-RJ / INT-SM / INT-MM (EoL)**

Network Interface and cable tail of the Siqua SA or EX cameras

---



### **Siqua WP10**

10l washer tank, pump 10m, float switch, 316L frame

---