

SA-WP10

10 liters washer tank, pump 10 m, float sw, 316L frame

DESCRIPTION

The SA-WP10 is a washer tank for safe area cameras with a washer and wiper for use in onshore, offshore, marine and heavy industrial environments. The frame is constructed from 316L stainless steel for maximum corrosion protection. The SA-WP10 has a capacity of 10 litres. The washer tank is equipped with an IP66-rated junction box that contains the power supply for the self-priming submersible pump located inside the tank. The float switch protects the submersible pump from dry-run.

FEATURES

- 10 liter washer-tank
- 10 meter delivery height
- Submersible pump for 10 metre
- IP66 integrated junctionbox
- Dry-run protection
- Includes 10 m anti-algae hose
- Available for 24 Vac, 115 Vac or 230 Vac





Power source choices

The SA-WP10 can be selected with 24 Vac, 115 Vac, and 230 Vac power option. The 24 Vac pump control voltage is supplied by the camera station or housing

SA-WP10

Construction	316L frame
Tank material	HDPE HMW PolyEthylene (resistant to chemicals)
Hose material	EPDM rubber
Hose length	10m
Cable entry	cable gland, 5.5 to 8 mm cable diameter

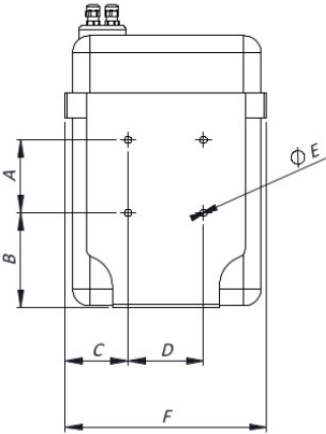
Power

Power voltages	
SA-WP10-VSF-24	24 Vac
SA-WP10-VSF-115	115 Vac
SA-WP10-VSF-230	230 Vac
Power consumption	50 W

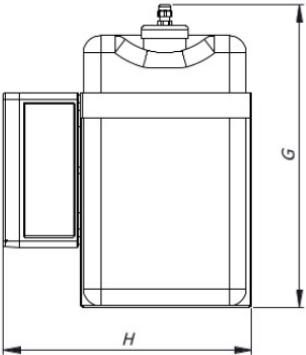
models

SA-wp10-VSF-24	10 liters washer tank, pump 10 m, float sw, 316L, 24 Vac
SA-WP10-VSF-115	10 liters washer tank, pump 10 m, float sw, 316L, 115 Vac
SA-WP10-VSF-230	10 liters washer tank, pump 10 m, float sw, 316L, 230 Vac

FRAME FRONT VIEW



FRAME SIDE VIEW



	WP10
A	85
B	110
C	73,5
D	88
E	8,5
F	235
G	353
H	290