

# SA3-FIX IR

## 3rd Generation 316L all weather fixed IR illuminator

### DESCRIPTION

The SA3-FIX IR illuminator is made in a rugged, corrosion proof housing designed for use in onshore, offshore, marine and heavy industrial environments. The housing is constructed from electro-polished 316L stainless steel for maximum corrosion protection and is fitted with an 316L sun-shield. It comes with two M20x1.5 cable entries and is available with different spot-sizes and power voltages.

### FEATURES

---

Corrosion protected 316L stainless-steel

---

14 x SMD high power IR Leds

---

Circular beam patterns 15° or 34°

---

850 nm wavelength

---

Integrated power supply (24/120/230 Vac)

---

Low maintenance

---



## Description

### Corrosion free 316L construction

The SA3-FIX IR is suited to be used in corrosion aggressive environments. 100% of the camera housing is made of corrosion proof 316L steel.

### IR LED technology

The Illuminator is fitted with 14 state-of-the-art 850nm SMD LEDs. The LED array is available in 2 different beampatterns, 15° or 34° for optimal illumination.

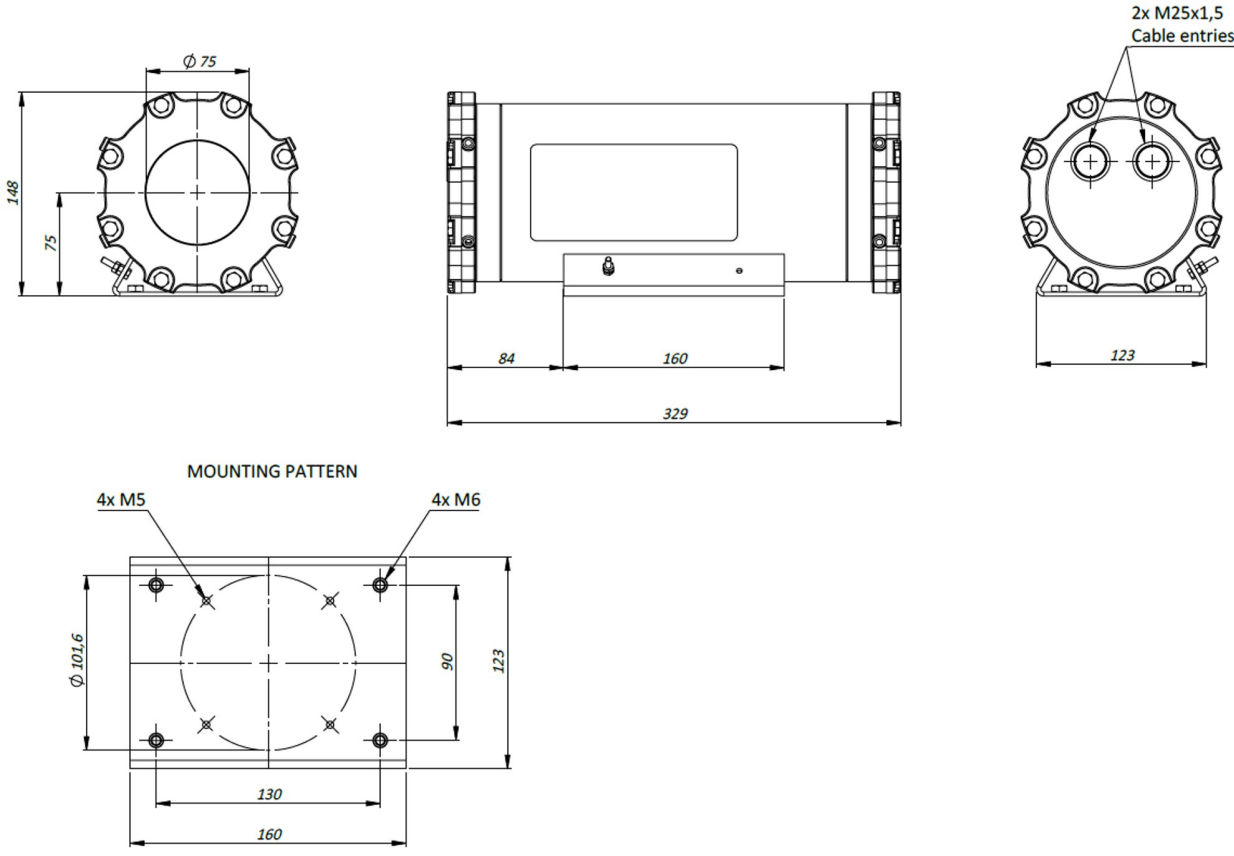
(c) 20250305

Mechanical	
Ingress protection rating	IP66/ IP67
Impact rating (casing)	IK10
Body material	Electro-polished 316L stainless steel
Sunshield	optional
Operating temperature	-60 °C to +60 °C (-76 °F to +140 °F)
Cable entry	2x M20
Weight	4.5 kg (7 kg incl packaging)

Electrical			
Power rating	SA3-FIX24 IR	SA3-FIX120 IR	SA3-FIX230 IR
	AC 24 V +/-10%	AC 120 V +/-10%	AC 230 V +/-10%
	50/60 Hz	50/60 Hz	50/60 Hz
Max power consumption	25cW	25 W	25 W
IR LEDs	14		
Wavelength	850 nm		
Circular beampattern			
- SA-FIX IR15	15°		
- SA-FIX IR34	34°		

Ordering information	
SA3-PTZ24D-IR34	3rd Gen SA PTZ Camera 316L with 34° IR-illuminator, 24VAC
SA3-PTZ120D-IR34	3rd Gen SA PTZ Camera 316L with 34° IR-illuminator, 120VAC
SA3-PTZ230D-IR34	3rd Gen SA PTZ Camera 316L with 34° IR-illuminator, 230VAC
SA3-FIX24-IR15	3rd Gen SA PTZ Camera 316L with 15° IR-illuminator, 24VAC
SA3-FIX120-IR15	3rd Gen SA PTZ Camera 316L with 15° IR-illuminator, 120VAC
SA3-FIX230-IR15	3rd Gen SA PTZ Camera 316L with 15° IR-illuminator, 230VAC
EX/SA-MB-2FIX	Mounting bracket for 2 FIX camera housings
INT3-SA3FIXIR	Interconnection cable SA3-FIX camera and SA3-FIX IR, 1.5 m

DIMENSIONS IN MM



## RELATED

---



### **Siqura SA mounting accessories**

316L Mounting accessories for the SA-FIX and SA-PTZ series

---