

SA3-FIX SERIES

3rd Generation SA FIX Camera 316L

DESCRIPTION

The SA3-FIX camera housing is an innovative, rugged, and corrosion proof camera station made for use in onshore, offshore, marine and heavy industrial environments. The SA3 camera station is designed for easy installation and on-site repairs. The FIX housing is not sold separately, it is only available in combination with a Siqura daylight camera module, such as the 33x zoom BC822v2H3-AS, 22x zoom 4K BC980H2-AS, or 4x zoom BC840v2-MO4-AS.

FEATURES

Corrosion protected 316L stainless-steel

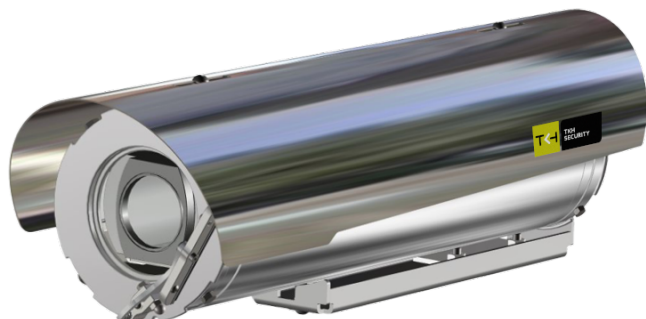
IP66 and IP67

Integrated power supply (24, 120 or 230 Vac)

Integrated heater and optional wiper

Electro-polished 316L sun-shield

Optional direct to fiber



Description

Corrosion free 316L construction

The SA3-FIX housing is designed for use in onshore, offshore, marine and heavy industrial environments. The camera housing is made of corrosion proof 316L steel, protected against salty and sulfur rich environments.

Optical camera

The SA3-FIX is to be fitted with one of the TKH Security -AS cameras, such as the 33x zoom bc822v2H3-AS, the 22x zoom 4K BC980H2-AS or the BC840v3-Mxx-AS series. The camera is standard equipped with an integrated wiper and prepared for an installation with a washer. A 10 liter washer tank with pump (WP10) can be obtained separately.

Integrated heater

The housing comes with a built-in thermally controlled heater. It regulates the humidity inside the camera and prevents ice or condensation from forming on the optical window.

(c) 20240402

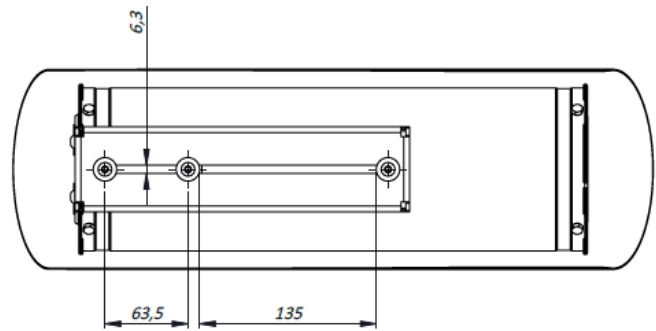
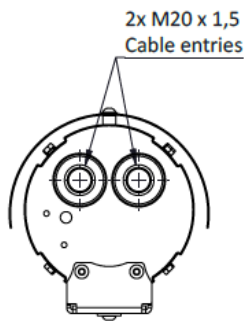
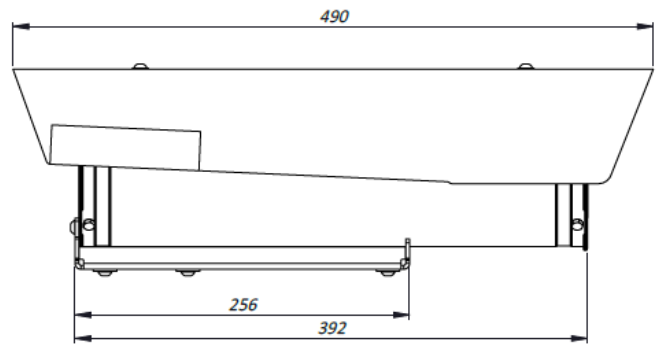
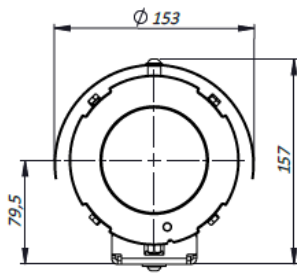
Mechanical	
Body material	Electro-polished 316L stainless steel
Optical Window	High-Grade Tempered Optical Glass
- Size	diameter 75 mm
Sunshield	Standard
Operating temperature (Tamb)	-60 °C to +75 °C (-76 °F to +167 °F) per Nema-2
- Continuous (sheltered, air temp)	-60 °C to +60 °C (-76 °F to 140 °F)
- Cold start	-30°C (-22 °F)
Relative humidity	5% to 100%
Cable entry	2x M20x1.5
Weight	5 kg (Packaged: 6.5 kg)

Certifications	
Ingress protection rating	IP66, IP67
Impact rating (casing)	IK10
Vibrations and shock	EN/IEC 60068-2-6; EN/IEC 60068-2-27; DNV-CG-0339
EMC	EN 55035; EN/IEC 61000-6-4; EN/IEC 61000-3-2; EN/IEC 61000-3-3; EN/IEC 61000-6-2; CISPR-32; CISPR-35
LVD	EN/IEC 62368-1

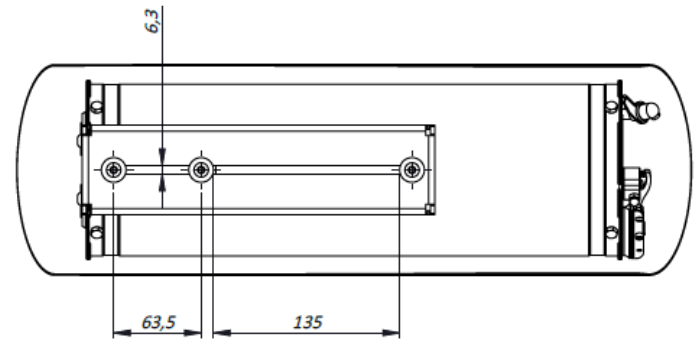
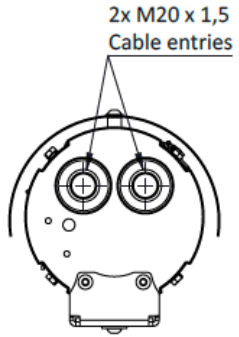
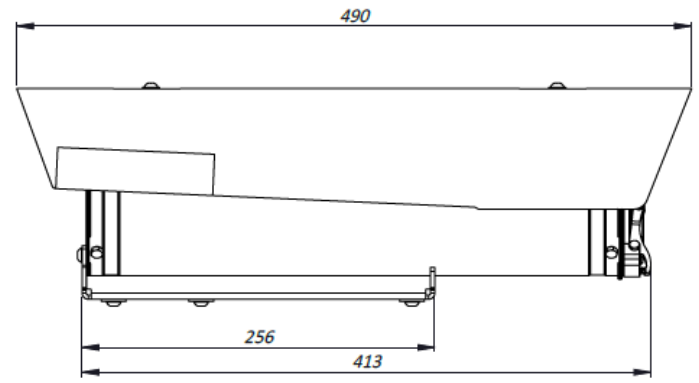
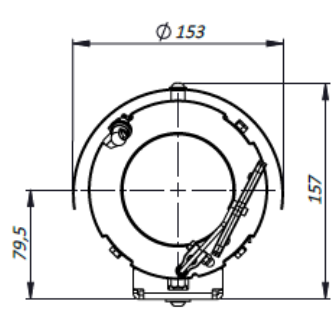
Electrical			
Power rating	SA3-FIX24	SA3-FIX120	SA3-FIX230
	AC 24 V +/-10%	AC 120 V +/-10%	AC 230 V +/-10%
	50/60 Hz	50/60 Hz	50/60 Hz
Max power consumption	40 W	40 W	40 W
Internal Heater	Standard		
- Heater control	On:12°C +/- 4°C; Off: 20°C +/- 3°C		
Integrated wiper	SA3-FIX W only		

Ordering information	
SA3-FIX24	3rd Gen EX FIX Camera 316L, 24VAC
SA3-FIX120	3rd Gen EX FIX Camera 316L 120VAC
SA3-FIX230	3rd Gen EX FIX Camera 316L 230VAC
SA3-FIX24W	3rd Gen EX FIX Camera 316L with wiper, 24VAC
SA3-FIX120W	3rd Gen EX FIX Camera 316L with wiper, 120VAC
SA3-FIX230W	3rd Gen EX FIX Camera 316L with wiper, 230VAC
Cable tails and interfaces	Refer to "INT3-RJ / INT3-SM / INT3-MM"
Washer	WPIO

SA3-FIX DIMENSIONS IN MM



SA3-FIX-W DIMENSIONS IN MM



RELATED



Siqua BC822v2H3-AS

Assembly 33x zoom IP camera, 3MP, AF, Day/night, H.265/H.264



TKH Security BC980H2-AS

8MP IP Box camera with integrated 22x zoom lens



Siqua INT-RJ / INT-SM / INT-MM (EoL)

Network Interface and cable tail of the Siqua SA or EX cameras



Siqua WP10

10l washer tank, pump 10m, float switch, 316L frame



Siqua SA mounting accessories

316L Mounting accessories for the SA-FIX and SA-PTZ series
