

SA3-PTZ D-IR

3rd Gen SA PTZ Camera 316L with 34° IR-illuminator, 24VAC

DESCRIPTION

The SA3-PTZ D-IR camera housing is an innovative, rugged corrosion proof dual head camera station designed for use in onshore, offshore, marine and heavy industrial environments. The SA3 camera station is designed for easy installation and on-site repairs. The combination of infrared illumination and day/night cameras facilitates 24/7 remote camera surveillance and analytics. The dual-head camera housing is not sold separately, it is only available in combination with a Siqura daylight camera module, such as the 33x zoom BC822v2H3-AS, 22x zoom 4K BC980H2-AS, or 4x zoom BC840v2-MO4-AS, and an interface/cable tail (INT3-RJ/SM/MM).

FEATURES

Corrosion protected 316L stainless-steel

IP66 and IP67

Low stationary power consumption (<10W)

360° Continuous pan and +/-90° tilt

Integrated 850 nm IR-LED illuminator (34° beam)

Integrated power supply (24, 115 or 230 Vac)

Integrated heater and wiper

Electro-polished 316L sun-shields

Optional direct to single mode fiber



Description

Reliable and easy to maintain

SA3-PTZD-IR innovative design resulted in a highly reliable camera with extended lifetime of the motors, high precision gear technology and improved accessibility. It improves not only the installation time, but also the reparability of the camera station over its lifetime, thus lowering the operational costs of the camera in general.

Low power consumption

The SA3-PTZ D-IR is characterized by its low power consumption. While most PTZ cameras consume a lot of power even when the camera is not moving, the SA3-PTZ D-IR consumes less than 10 W when the camera is in stationary position. Mechanical brakes in both pan and tilt positions hold the camera in its stationary position, while the motors are switched off.

Day-Night camera

The SA3-PTZ D-IR is fitted with one of TKH Security -AS cameras, such as the 33x zoom bc822v2H3-AS, the 22x zoom 4K BC980H2-AS or the BC840v3-Mxx-AS series. It is standard equipped with a wiper and prepared for a washer installation. A 10 liter pressurized washer tank can be obtained separately.

IR-Illumination

The other head of the SA3-PTZ D-IR is fitted with a 14-LED infrared illuminator. This powerful IR-LED array gives a circular beam pattern of 34 degrees, enough to observe a person at long distances.

(c) 20240329

Mechanical	
Body material	Electro-polished 316L stainless steel
Optical Window	High-Grade Tempered Optical Glass
- Size	diameter 75 mm; 10 mm thick
Sunshield	Standard
Integrated wiper	Standard on the optical window
Rotation	360° Continuous rotation
Tilt angle	+90° to -90°
Variable speed	0° to 40°/sec pan, 0° to 20°/sec tilt (peak)
Pan/tilt torque	20 Nm (limited by safety device)
Drive mechanism	Reinforced toothed belt
Backlash	less than 0.1°
Preset accuracy	better than 0.04°
Operating temperature (Tamb)	-60 °C to +75 °C (-76 °F to +167 °F) per Nema-2
- Continuous (sheltered, air temp)	-60 °C to +60 °C (-76 °F to 140 °F)
- Cold start	-30°C (-22 °F)
Relative humidity	5% to 100%
Cable entry	1x M25x1.5
Weight	33 kg (Packaged: 38 kg)

Certifications	
Ingress protection rating	IP66 and IP67
Impact rating (casing)	IK10
Vibrations and shock	EN/IEC 60068-2-6; EN/IEC 60068-2-27; DNV-CG-0339
EMC	EN 55035; EN/IEC 61000-6-4; EN/IEC 61000-3-2; EN/IEC 61000-3-3; EN/IEC 61000-6-2; CISPR-32; CISPR-35
LVD	EN/IEC 62368-1

Illuminator	
IR LEDs	14
Wavelength	850 nm
Beampattern	Circular 34°

Electrical			
Power rating	SA3-PTZ24D-IR	SA3-PTZ120D-IR	SA3-PTZ230D-IR
	AC 24 V +/-10%	AC 120 V +/-10%	AC 230 V +/-10%
	50/60Hz	50/60Hz	50/60Hz
Max power consumption	155 W	155 W	155 W
Min power consumption (no heater, P/T, IR)	10 W min	10 W min	10 W min
Internal Heater	Standard		
- Heater control	On:12°C +/- 4°C; Off: 20°C +/- 3°C		
- Gears/Motors	Electronically controlled de-icing		

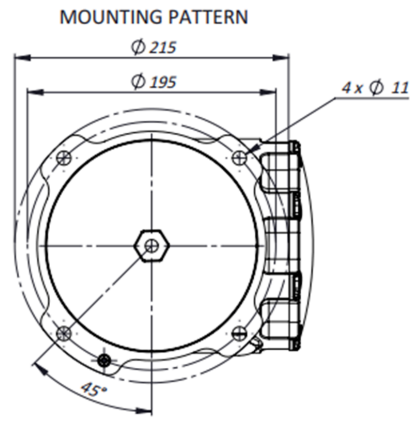
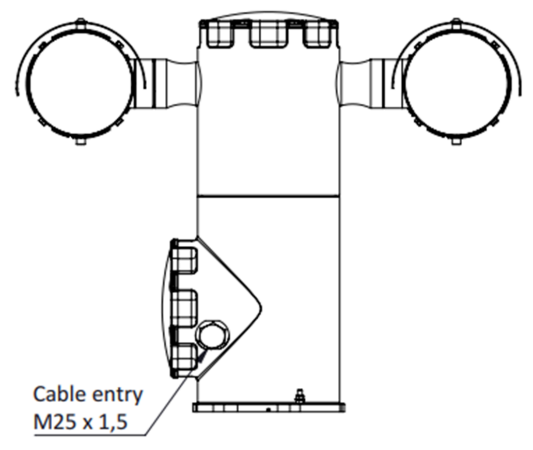
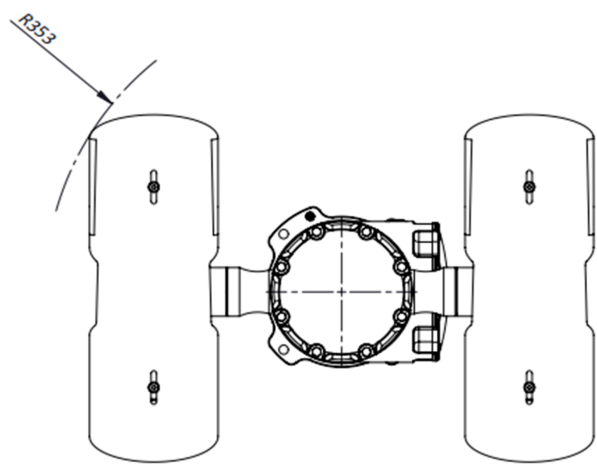
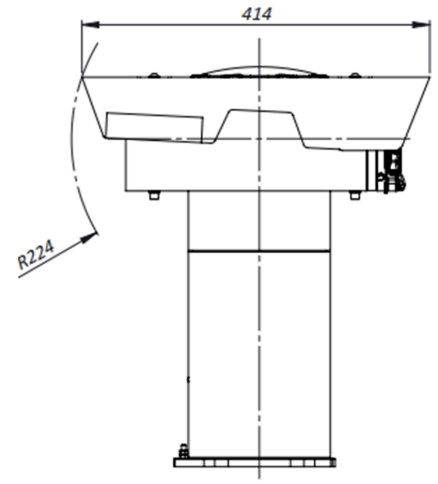
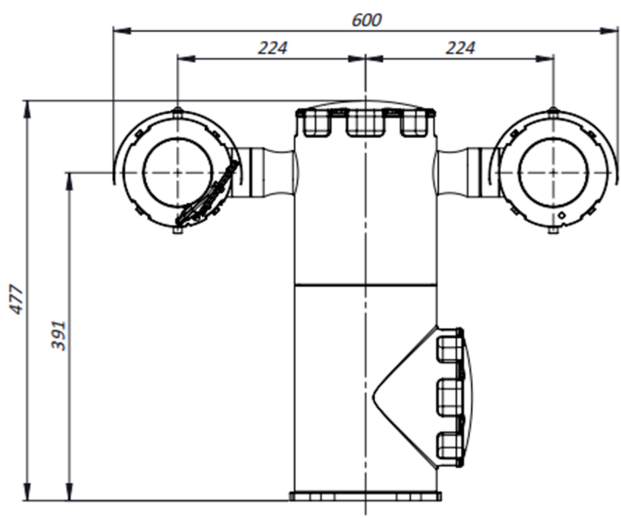
Ordering information

Specs



Ordering information	
SA3-PTZ24D-IR34	3rd Gen SA PTZ Camera 316L with 34° IR-illuminator, 24VAC
SA3-PTZ120D-IR34	3rd Gen SA PTZ Camera 316L with 34° IR-illuminator, 120VAC
SA3-PTZ230D-IR34	3rd Gen SA PTZ Camera 316L with 34° IR-illuminator, 230VAC
Cable tails and interfaces	Refer to "Siqua INT3-RJ / INT3-SM / INT3-MM"

DIMENSIONS IN MM



RELATED



Siqura BC822v2H3-AS

Assembly 33x zoom IP camera, 3MP, AF, Day/night, H.265/H.264



TKH Security BC980H2-AS

8MP IP Box camera with integrated 22x zoom lens



Siqura INT3-RJ / INT3-SM / INT3-MM / INT3-EoC

Network Interface and cable tail of the Siqura SA3 or EX3 cameras



Siqura SA mounting accessories

316L Mounting accessories for the SA-FIX and SA-PTZ series
