

# SA3-PTZ D

3rd Gen dual spectrum SA PTZ Camera 316L, 24VAC

## DESCRIPTION

The SA3-PTZ D-IR camera housing is an innovative, rugged corrosion proof dual head camera station designed for use in onshore, offshore, marine and heavy industrial environments. The SA3 camera station is designed for easy installation and on-site repairs. The camera housing is only available in combination with a TKH Security daylight camera module (33x zoom BC822v2H3-AS, 22x zoom 4K BC980H2-AS, or 4x zoom BC840v2-MO4-AS), a thermal module from the TC3 series, and an interface/cable tail (INT3-RJ/SM/MM)

## FEATURES

Dual spectrum camera for day- and night-vision

Corrosion protected 316L stainless-steel

IP66 and IP67

Low stationary power consumption (<10W)

360° Continuous pan and +/-90° tilt

Suited for 9, 13, 19, 25, 35, 50 mm thermal lenses

Integrated power supply (24, 115 or 230 Vac)

Integrated heater and wiper

Electro-polished 316L sun-shields

Optional direct to single mode fiber



## Description

### Reliable and easy to maintain

SA3-PTZ D innovative design resulted in a highly reliable camera with extended lifetime of the motors, high precision gear technology and improved accessibility. It improves not only the installation time, but also the reparability of the camera station over its lifetime, thus lowering the operational costs of the camera in general.

### Low power consumption

The SA3-PTZ D is characterized by its low power consumption. While most PTZ cameras consume a lot of power even when the camera is not moving, the SA3-PTZ D consumes less than 10 W when the camera is in stationary position. Mechanical brakes in both pan and tilt positions hold the camera in its stationary position, while the motors are switched off.

### Dual imaging

The SA3-PTZ D comes with an optical and thermal imager. The thermal sensor, an uncooled micro-bolometer, converts invisible infrared radiation into visible thermal images. The TC3 series thermal module offers a range of different lenses, resolutions. Its grid-protected window is suitable for lenses from 9 mm up to 50 mm.

The optical imager can be a 33x zoom IP camera, the bc822v2H3-AS, or 22x zoom 4K camera, BC980H2. This head is standard equipped with a wiper and prepared for a washer installation. A 10 litre pressurized washer tank can be obtained separately.

(c) 20240329

Mechanical	
Body material	Electro-polished 316L stainless steel
Optical Window	High-Grade Tempered Optical Glass
- Size	diameter 75 mm; 10 mm thick
Thermal Window	Diamond-like Coated (DLC) germanium
- Size	diameter 50 mm;
Sunshield	Standard
Integrated wiper	Standard on the optical window
Rotation	360° Continuous rotation
Tilt angle	+90° to -90°
Variable speed	0° to 40°/sec pan, 0° to 20°/sec tilt (peak)
Pan/tilt torque	20 Nm (limited by safety device)
Drive mechanism	Reinforced toothed belt
Backlash	less than 0.1°
Preset accuracy	better than 0.04°
Operating temperature (Tamb)	-60 °C to +75 °C (-76 °F to +167 °F) per Nema-2
- Continuous (sheltered, air temp)	-60 °C to +60 °C (-76 °F to 140 °F)
- Cold start	-30°C (-22 °F)
Relative humidity	5% to 100%
Cable entry	1x M25x1.5
Weight	33 kg (Packaged: 38 kg)

Certifications	
Ingress protection rating	IP66 and IP67
Impact rating (casing)	IK10
Vibrations and shock	EN/IEC 60068-2-6; EN/IEC 60068-2-27; DNV-CG-0339
EMC	EN 55035; EN/IEC 61000-6-4; EN/IEC 61000-3-2; EN/IEC 61000-3-3; EN/IEC 61000-6-2; CISPR-32; CISPR-35
LVD	EN/IEC 62368-1

Electrical			
Power rating	SA3-PTZ24D-IR	SA3-PTZ120D-IR	SA3-PTZ230D-IR
	AC 24 V +/-10%	AC 120 V +/-10%	AC 230 V +/-10%
	50/60Hz	50/60Hz	50/60Hz
Max power consumption	170 W	170 W	170 W
Min power consumption (no heater, P/T, IR)	10 W min	10 W min	10 W min
Internal Heater	Standard		
- Heater control	On:12°C +/- 4°C; Off: 20°C +/- 3°C		
- Gears/Motors	Electronically controlled de-icing		

Ordering information	
SA3-PTZ24D	3rd Gen dual spectrum SA PTZ Camera 316L, 24VAC
SA3-PTZ120D	3rd Gen dual spectrum SA PTZ Camera 316L, 120VAC
SA3-PTZ230D	3rd Gen dual spectrum SA PTZ Camera 316L, 230VAC

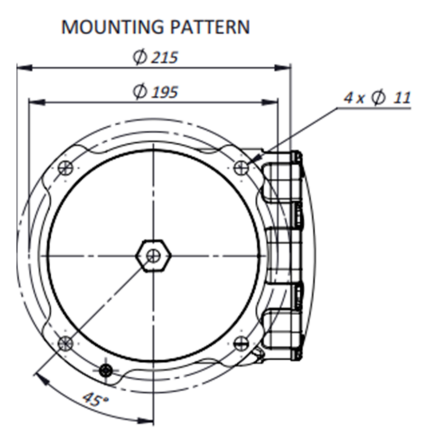
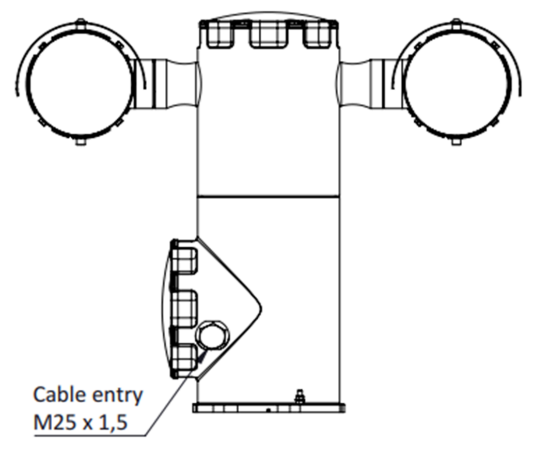
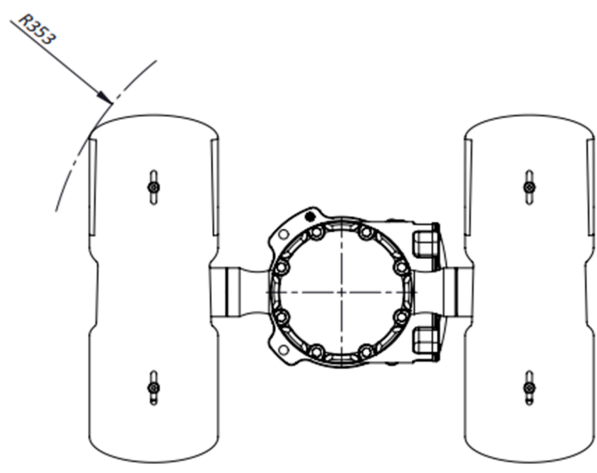
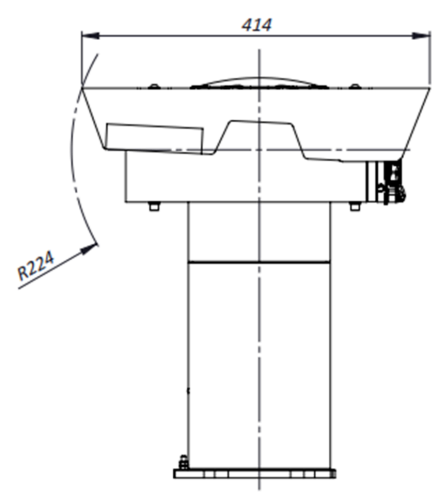
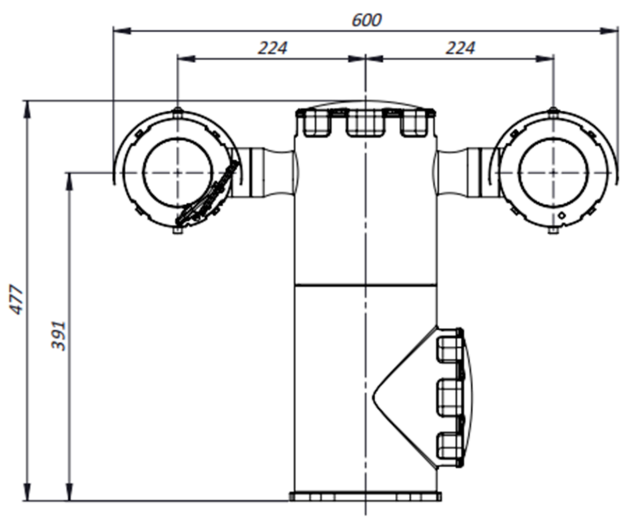
# Specs



## Ordering information

Cable tails and interfaces	Refer to "Siqua INT3-RJ / INT3-SM / INT3-MM"
Optical camera	Refer to bc822v2H3-AS or BC980H2-AS
Thermal camera	refer to TC3-X

**DIMENSIONS IN MM**



## RELATED

---



### **Siqura BC822v2H3-AS**

Assembly 33x zoom IP camera, 3MP, AF, Day/night, H.265/H.264

---



### **TKH Security BC980H2-AS**

8MP IP Box camera with integrated 22x zoom lens

---



### **Siqura TC3-X**

Open-frame 3rd generation thermal camera, 384x288 or 640x512

---



### **Siqura INT3-RJ / INT3-SM / INT3-MM / INT3-EoC**

Network Interface and cable tail of the Siqura SA3 or EX3 cameras

---



### **Siqura WP10**

10l washer tank, pump 10m, float switch, 316L frame

---



### **Siqura SA mounting accessories**

316L Mounting accessories for the SA-FIX and SA-PTZ series

---