

TC3-X

Open-frame 3rd generation thermal camera, 384x288 or 640x512

DESCRIPTION

The TC3-X is a thermal module to be built-in the 3rd generation explosion proof (EX3) and the marine and industrial (SA3) camera housings from TKH Security. Thermal imaging can be used 24/7 for all sorts of monitoring and detection purposes. The Thermal module is fitted with video analytics to actively help with perimeter surveillance, fire detection, flare monitoring, and hotspot detection.

FEATURES

Fully Integrated in the Siqura EX3- or SA3-housings

Uncooled thermal imager

384x288 or 640x512 resolution

Choice of different lenses up to 50 mm

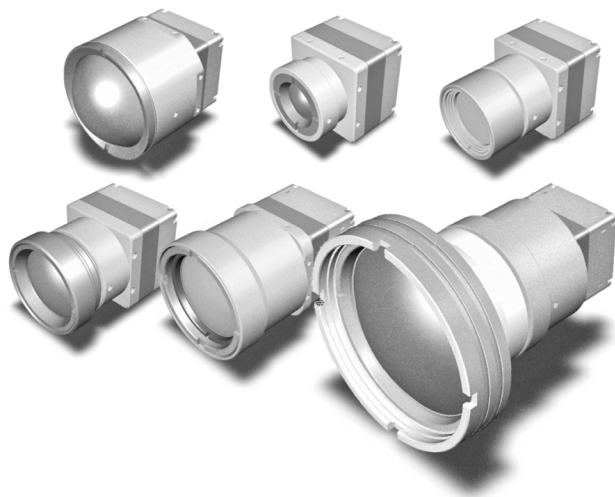
Export free (9Hz) or Dual Use (30Hz)

Plug & Play

Built-in analytics

AI prepared

Compliant to ONVIF Profile S



Description

Marine, Offshore, Oil and Gas

The TC3 thermal modules are essential parts of the Marine, Offshore, Oil and Gas solutions from TKH Security. The module is fitted inside the 316L thermal camera housing and forms the digital heart of the camera.

Integrated thermal camera

The thermal module is fitted with a highly sensitive uncooled microbolometer for thermal imaging. It detects temperature differences as small as 30 mK and can spot heat sources invisible to the naked eye. When the darkness obscures the vision of an ultra-low light CCTV camera, the thermal camera gives a clear overview of what's going on.

Multi-streaming and multicasting

The Thermal module has multi-streaming capabilities for simultaneous transmission of one or more H.264 or H.265 streams. This guarantees interoperability with existing VMS systems. Multiple combinations of resolution and frame rate can be configured to satisfy different live-viewing and recording scenarios. In addition, multicasting is supported for complex, multi-user video networks.

Open standards

The SA3- or EX3- thermal camera integrates with the common VMS systems. Being ONVIF Profile S and T compliant*, the camera is supported by most video management systems. When needed, the camera can be controlled through a comprehensive HTTP API (Siquira Programming Interface). This specifically enables deployment in projects with custom requirements.

Built-in video analysis

The thermal module is fitted with on-board analytics. The flare monitor is a specialized algorithm for 24/7 flare height monitoring or fire/hotspot detection. With the thermal PID the camera detects intrusion in a customized zone or crossing of virtual fences in the highest possible accuracy and lowest number of nuisance alerts.

Export restrictions (Dual Use)

The Slow thermal modules (TC3-TxxSyX limited to 9Hz frame rate) are not export controlled. They can be exported to all countries except terrorist supporting



countries (Country Group E:1), unless otherwise prohibited. Note: Special regulations (EAR, ITAR) apply in the U.S.

Fast thermal modules (TC3-TxxFyX 25/30 fps) are controlled for export, This product is controlled for export under EU Regulation (EC) 428/2009 and Export Control Classification Number (ECCN) 6A003.b.4.b applies.

(c) 20250704

Thermal imager (TC3-Txxyyz)							
- xx = Focal Length in mm	05; 09; 13; 25; 35; 50						
- y = Max frame rate	S (Slow= 8.3 fps); F (Fast= 30 fps)						
- zz = Resolution	3X (= 384x288); 6X (= 640x512)						
Model name	TC3-T05y3X	TC3-T09y3X	TC3-T13y3X	TC3-T19y3X	TC3-T25y3X		
- Focal length	4.9 mm	9.1 mm	13 mm	19 mm	25 mm		
- Pixel size	17µm	17µm	17µm	17µm	17µm		
- Resolution	384x288	384x388	384x288	384x288	384x288		
- Field of view (HxV)	80.8°x59.6°	39.5°x30.1°	28.2°x21.3°	19.5°x14.7°	14.9°x11.2°		
- f-number	f/1.1	f/1.0	f/1.0	f/1.0	f/1.1		
- Min. focus distance	0.5 m	1.5 m	3 m	6 m	10 m		
Model name	TC3-T05y6X	TC3-T09y6X	TC3-T13y6X	TC3-T19y6X	TC3-T25y6X	TC3-T35y6X	TC3-T50y6X
- Focal length	4.9 mm	9.1 mm	13 mm	19 mm	25 mm	35 mm	50 mm
- Pixel size	12µm	12µm	12µm	12µm	12µm	12µm	12µm
- Resolution	640x512	640x512	640x512	640x512	640x512	640x512	640x512
- Field of view (HxV)	95.1°x74.8°	45.7°x37.3°	32.9°x26.6°	22.9°x18.4°	17.4°x14.0°	12.5°x10°	8.7°x7°
- f-number	f/1.1	f/1.0	f/1.0	f/1.0	f/1.0	f/1.0	f/1.0
- Min. focus distance	0.5 m	2 m	5 m	10 m	16 m	30 m	70 m
Imager	uncooled micro-bolometer						
Max frame rate (y)							
- TC3-TxxFzz (Fast)	30 fps (Export controlled)						
- TC3-TxxSzz (Slow)	8.3 fps						
Spectral bandwidth	7.5 µm to 13.5 µm (LWIR)						
Sensitivity (NETD)	35 mK @ f/1.0						
Time to image	less then 60 s (boot time)						
Color palette	7 color palettes; 1 isotherm palette with adjustable temp. levels						
Radiometric	yes (Isotherm color palette)						
Video stream							
Number of streams	2x streams						
Compression algorithm(s)	AVC/H.264 (MP), HEVC/H.265						
Supported output resolutions	Output images are up/down scaled						
	720x576; 704x480; 704x240; 640x512, 352x288; 336x256, 176x120						
Compression bit rate control	Variable bit rate (VBR)						
Output bit rate (per H.264 stream)	Up to 6Mb/s						
Number of video output streams	Up to 20 (RTSP) per input						
Total output data rate (max)	50Mb/s						
Video overlay	3x Text lines						
Analytics							
PID	Intrusion detection. Free form zones or detection lines						
- Detection line	Touch, Cross (directional sensitive), Cross						
- Detection zone	Touch						
Hotspot detection	in two zones						

Specs



Analytics

- Measuring range	-20°C to 150°C or 0°C to 550°C
- Accuracy (at 5 m)	+/- 3°C (below 100 °C); +/- 3% (over 100°C)
Flare monitoring	Flare-on, Flare-off and Flare-too-large
Event time	0 to 10 s
Event output	generic ONVIF, SPI

Network

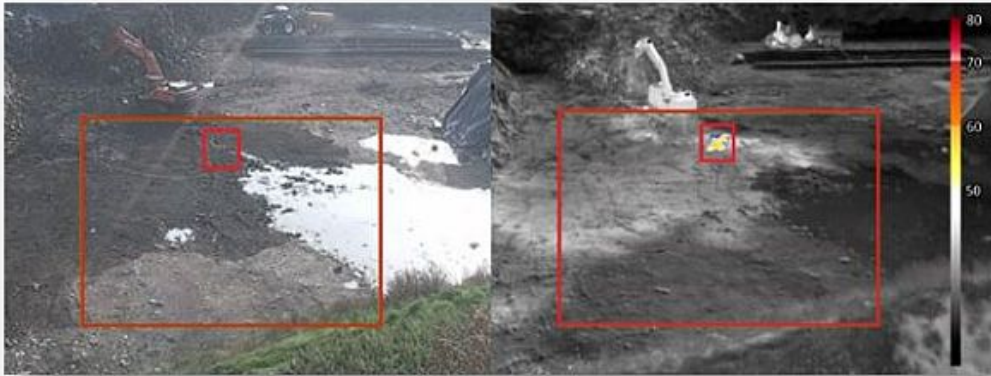
Interface(s)	1000/100 Mb Ethernet, auto negotiating, MDI/MDX
Protocols	IPv4, TCP/IP, UDP, RTP, RTSP, HTTP, HTTPS, ICMP, FTP, SMTP, DHCP, UPnP, IEEE 802.1x (EAP-MD5 or EAP TLS), IGMP, SNMP, QoS, ONVIF, TLS1.2, TLS1.3
Password levels	Viewer, Operator and Administrator
Supported browsers	Edge, Chrome, Firefox, Safari
User accounts	20

Ordering information

(Please Note	Export restrictions apply for 30 fps (Fast) thermal cameras.)
TC3-T05S3X	Assembly thermal module 384x288 , 8.3 fps, 4.9 mm, radiometric
TC3-T09S3X	Assembly thermal module 384x288 , 8.3 fps, 9 mm, radiometric
TC3-T13S3X	Assembly thermal module 384x288 , 8.3 fps, 13 mm, radiometric
TC3-T19S3X	Assembly thermal module 384x288 , 8.3 fps, 19 mm, radiometric
TC3-T25S3X	Assembly thermal module 384x288 , 8.3 fps, 25 mm, radiometric
TC3-T05F3X	Assembly thermal module 384x288 , 30 fps, 4.9 mm, radiometric
TC3-T09F3X	Assembly thermal module 384x288 , 30 fps, 9 mm, radiometric
TC3-T13F3X	Assembly thermal module 384x288 , 30 fps, 13 mm, radiometric
TC3-T19F3X	Assembly thermal module 384x288 , 30 fps, 19 mm, radiometric
TC3-T25F3X	Assembly thermal module 384x288 , 30 fps, 25 mm, radiometric
TC3-T05S6X	Assembly thermal module 640x512 , 8.3 fps, 4.9 mm, radiometric
TC3-T09S6X	Assembly thermal module 640x512 , 8.3 fps, 9 mm, radiometric
TC3-T13S6X	Assembly thermal module 640x512 , 8.3 fps, 13 mm, radiometric
TC3-T19S6X	Assembly thermal module 640x512 , 8.3 fps, 19 mm, radiometric
TC3-T25S6X	Assembly thermal module 640x512 , 8.3 fps, 25 mm, radiometric
TC3-T35S6X	Assembly thermal module 640x512 , 8.3 fps, 35 mm
TC3-T50S6X	Assembly thermal module 640x512 , 8.3 fps, 50 mm
TC3-T05F6X	Assembly thermal module 640x512 , 30 fps, 4.9 mm, radiometric
TC3-T09F6X	Assembly thermal module 640x512 , 30 fps, 9 mm, radiometric
TC3-T13F6X	Assembly thermal module 640x512 , 30 fps, 13 mm, radiometric
TC3-T19F6X	Assembly thermal module 640x512 , 30 fps, 19 mm, radiometric
TC3-T25F6X	Assembly thermal module 640x512 , 30 fps, 25 mm, radiometric
TC3-T35F6X	Assembly thermal module 640x512 , 30 fps, 35 mm
TC3-T50F6X	Assembly thermal module 640x512 , 30 fps, 50 mm

TC3-T X replacement for TC-336/640

TC(R1) series	HFOV TC	<>	TC3-T series	HFOV TC3
TC(R1)-336-S7.5	45°	<>	TC3-T05S3X	80,8°
TC(R1)-336-S9	35°		TC3-T09S3X	39,46°
TC(R1)-336-S13	25°		TC3-T13S3X	28,2°
TC(R1)-336-S19	17°		TC3-T19S3X	19,5°
TC(R1)-336-S25	13°		TC3-T25S3X	14,9°
TC(R1)-336-S35	9,3°		X	X
TC(R1)-336-S50	6,5°		X	X
TC(R1)-336-S60	5,5°		X	X
TC(R1)-336-S100	3,3°		X	X
TC(R1)-336-F7.5	45°	<>	TC3-T05S3X	80,8°
TC(R1)-336-F9	35°		TC3-T09S3X	39,46°
TC(R1)-336-F13	25°		TC3-T13S3X	28,2°
TC(R1)-336-F19	17°		TC3-T19S3X	19,5°
TC(R1)-336-F25	13°		TC3-T25S3X	14,9°
TC(R1)-336-F35	9,3°		X	X
TC(R1)-336-F50	6,5°		X	X
TC(R1)-336-F60	5,5°		X	X
TC(R1)-336-F100	3,3°		X	X
TC(R1)-640-S7.5	90°	<>	TC3-T05S6X	92,3°
TC(R1)-640-S9	69°		X	X
TC(R1)-640-S13	45°		TC3-T09S6X	48°
TC(R1)-640-S19	32°		TC3-T13S6X	32,9°
TC(R1)-640-S25	25°		TC3-T19S6X	22,9°
TC(R1)-640-S35	18°		TC3-T25S6X	17,4°
TC(R1)-640-S50	12,4°		TC3-T35S6X	12,5°
TC(R1)-640-S60	10,4°		TC3-T50S6X	8,7°
TC(R1)-640-S100	6,2°		TC3-T70S6X	6,2°
TC(R1)-640-F7.5	90°	<>	TC3-T05F6X	92,3°
TC(R1)-640-F9	69°		X	X
TC(R1)-640-F13	45°		TC3-T09F6X	48°
TC(R1)-640-F19	32°		TC3-T13F6X	32,9°
TC(R1)-640-F25	25°		TC3-T19F6X	22,9°
TC(R1)-640-F35	18°		TC3-T25F6X	17,4°
TC(R1)-640-F50	12,4°		TC3-T35F6X	12,5°
TC(R1)-640-F60	10,4°		TC3-T50F6X	8,7°
TC(R1)-640-F100	6,2°		TC3-T70F6X	6,2°



FlameGuard: Hotspot detection at a waste management site



Flame Guard: Fire detection in a machine room

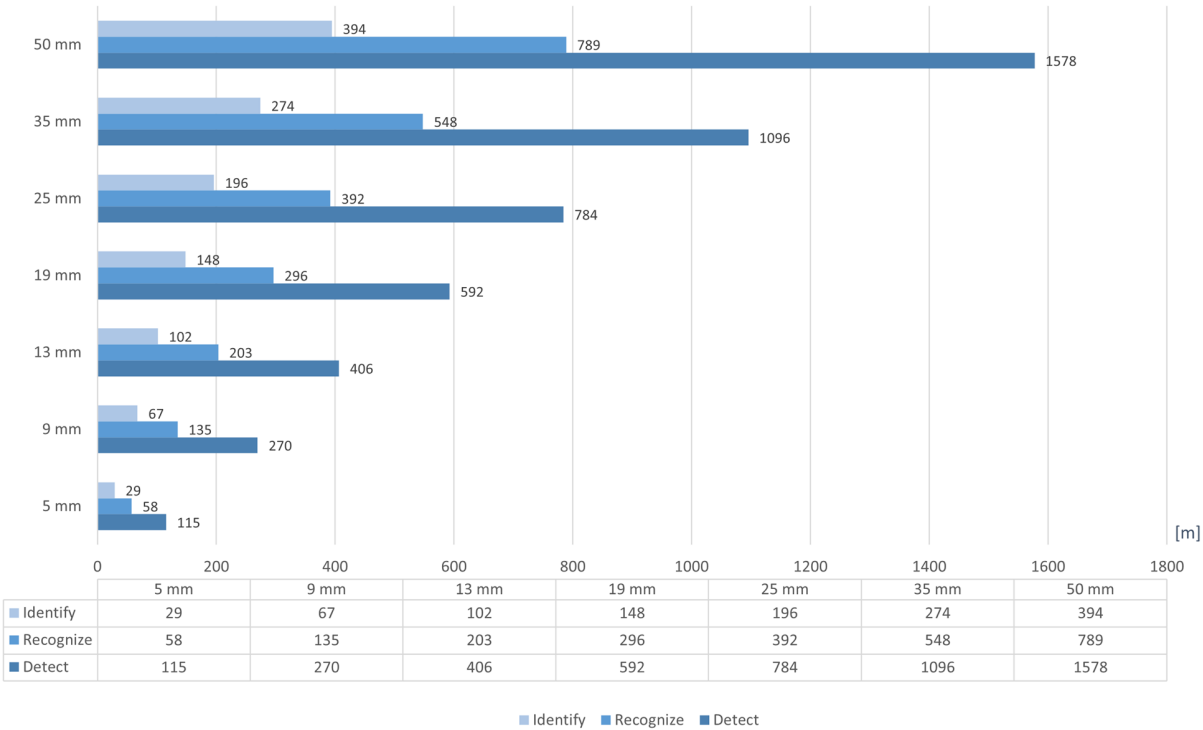


FenceGuard: Perimeter intrusion detection



Fire detection, hot-spot and flare monitoring

TC3-6X 640x512: Human Detect (2.7p/m), Recognize (5.5 p/m), and Identify (10.7p/m)



TC3-3X 384x288: Human Detect (2.7 p/m), Recognize (5.5 p/m), and Identify (10.7 p/m)

