

# UP-IR200

## IR illumination Kit for Upright PTZ UPxx

### DESCRIPTION

The Upright PTZ is a high-precision, full-featured network PTZ camera providing high-quality, high-definition images. The UP-IR200 is a IR illumination kit special designed for this PTZ camera. With two highly efficient IR-LED sources it can illuminate objects up to a distance of 250 meters. Continuous rotation of the PTZ is preserved even with the IR fitted to the camera.

### FEATURES

---

Dual IR-LED illuminator

---

Maximum distance up to 200m

---

Continuous rotation on the Upright PTZ

---

25° beam pattern

---

IP67

---



**IR-Illuminator**

Number of LEDs	9 per unit
Wavelength	850nm
Distance	up to 200m
Beam pattern	Circular 25°

**Powering**

Power consumption	24W max per unit
Power	24 Vac, 2 A for complete installation (2 units)

**Environmental**

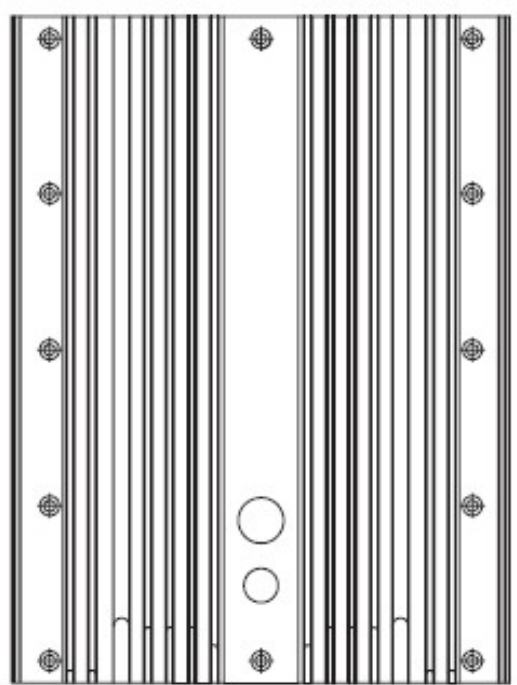
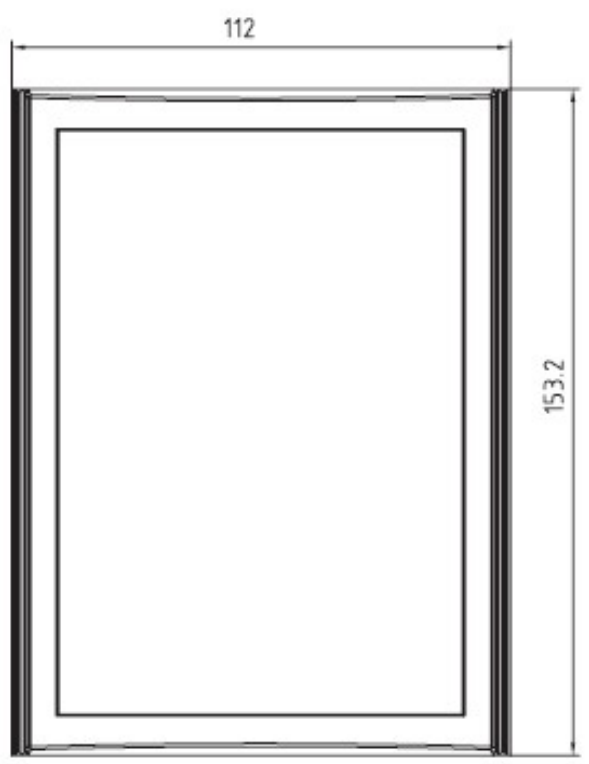
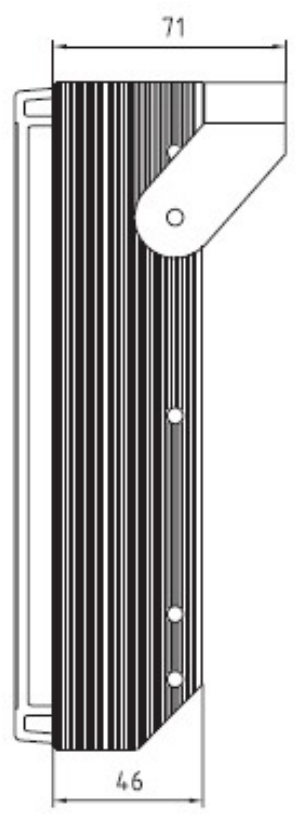
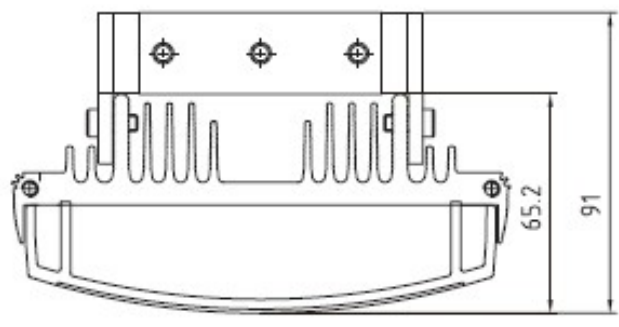
Operating temperature	-40 °C to +65 °C
Relative humidity	5% to 100%
Ingress rating	IP66 and IP67
Impact rating	IK10

**Mechanical**

Housing materials	Aluminum and PC cover
Coating	Black
Dimensions (HxWxL)	65.2 x 112 x 153.2 mm
Weight	0.9 kg per unit

**Ordering information**

UP-IR200	IR illumination kit for UPxx PTZ, up to 200m, 25°, 850 nm
----------	---



## RELATED

---



**Siqura UP33**  
Upright PTZ 33x zoom



**Siqura UP36**  
Upright PTZ 36x zoom

---