

UP33

Upright PTZ 33x zoom

DESCRIPTION

The Upright PTZ (UP33) is a high-precision, full-featured network PTZ camera providing high-quality, high-definition images. The integrated 40x optical zoom in combination with the embedded image stabilization makes the camera ideal for traffic applications.

FEATURES

- 1/2.8 Sony CMOS sensor
- 40x Optical and 10x digital zoom,
- 3 Mpixel @ 60 fps resolution
- Quad H.265/H.264/MJPEG streaming
- 120 dB WDR (HDR)
- Day/Night with IR-cut filter
- Variable pan and tilt speed, proportional zoom
- Continuous rotation, tilt from -90° to +40°
- Preset accuracy of 0.1°
- Corrosion Proof, IP66
- ONVIF Profile S, G and T



Description

Construction

The robust construction using cast aluminum and durable plastics ensures accurate positioning and stable video, close by and at large distances. The UP33 is designed to operate under extreme temperatures for mission critical applications. It is tested and approved according to the environmental requirements of NEMA TS-2.

Multi-stream high definition

The camera has quad-stream capability for simultaneous streaming of H.265, H.264 and/or MJPEG. Multiple combinations of resolution and frame rate can be configured to fit different scenarios. 3 Mpixel resolution is available at 60 fps, two full-HD 1080p stream at 30 fps can be combined with a 720p30 stream.

ONVIF

Multiple options are available to easily integrate the UP33 to a video management system. In support of open standards, the camera is compliant with the ONVIF Profile T and Profile S for streaming compatibility with other VMS's, and Profile G for local storage compatibility.

Image enhancement

The UP33 provides automatic day/night functionality with configurable thresholds, for use in low-light situations. Back-light or high-light compensation enhances image visibility in difficult lighting situations. HDR or dual shutter WDR for extreme dynamic range.

(c) 20240710

Camera	
Image sensor	1/2.8 Progressive scan CMOS
Effective pixels	2065 (H) x 1553 (V)
Shutter speed	1 to 1/60.000 s
Day/Night	IR-cut filter
Minimum scene illumination	0.04 lux (color), 0.002 lux (b/w), F1.6
Lens	40x Optical zoom (Recent models only)
Digital zoom	10x
Lens focal length	4.3 to 170 mm
Horizontal field of view	63.7° (W) to 1.7° (T)
Focus	Auto/Manual
Internal demister/heater	Standard

Functions	
Text and picture overlay	Date, time, image, 4x line (40 characters each),
Video motion detection	On / off / by schedule
Video motion detection alarm	Alarm output, record video clip, send alarm message, upload image
Network failure detection	On / off / by schedule
Network failure detection alarm	Alarm output, record video clip, send alarm message, upload image
Tamper detection	On / off / by schedule
Tamper detection alarm	Alarm output, record video clip, send alarm message, upload image
Behavior Analytics	Intrusion, Loitering Detection, Object Abandoned, Object Removal, Camera Sabotage, Wrong Direction, Object Counting

Image control	
Dynamic range (WDR)	120 dB, dual exposure HDR
White balance	Auto, ATW, Manual, One push
Image settings	Contrast Brightness Saturation Hue Sharpness
SNR	Better than 54dB
Noise reduction	3DNR, 2DNR, Color Low, mid, high (w/ Motion Compensation)
Image Stabilization	Yes
Image enhancement	HLC/BLC/Defog
Text and picture overlay	date & time, 4x line (40 characters each), preset title, image, image transparency
Presets	256
Preset tours (Sequence)	8
Privacy masks	8 colors, 24 (dynamic)
Image rotation	90°, 180°, 270° rotation

Video	
Video compression	H.265, H.264 (main or high profile); MJPEG
Number of compression instances	Any combination of H.265 or H.264 streams with possibly one MJPEG stream.
Supported resolutions	2048x1536 (3MP); 1080p60,1280x1024; 720p60; 1024x768; 800x600;

Specs



Video				
	720x567(D1); 640x480 (VGA); 352x240 (CIF)			
Max streaming (H264/H265/MJPEG)				
60fps	2048x1536	800x600		
60fps	2048x1536	720x480	352x240	352x240
30fps	2048x1536	2048x1536	1280x720	352x240
30fps (dual shutter WDR)	2048x1536	2048x1536	800x600	352x240
Compression bit rate control	Constant bit rate (CBR), variable bit rate (VBR), Low bit rate (LBR)			
Number of video output streams	Up to 20 (RTSP)			
Total output data rate (max)	60 Mb/s			
Video frame rate	1 to 60 fps, 1 to 50 fps			

Network	
Interface	100Mb/s Fast Ethernet, RJ45
Local storage	Micro SD/SDHC/SDXC up to 128 GB;
Network storage	NAS (Support NFS, SMB/CIFS)
Protocols	IPv4/IPv6, HTTP, HTTPS, 802.1x, Qos, FTP, SMTP, UPnP, SNMP, DNS, DDNS, NTP, RTSP, RTCP, RTP, TCP/IP, DHCP, PPPoE, NTCIP.
Security	User authentication, IP filtering, Digest authentication (RTSP, HTTP) HTTPS encryption (TLS1.2); IEEE 802.1x port-based network access control
Standard	ONVIF (Profile S, Profile G, Profile T), Siqua API
Web browser	IE11, Edge, Chrome, Firefox

Powering	
Power consumption	70 W incl. heater, 30 W without heater
Heater consumption	30 W Body; 10 W Defroster
Power	24 Vac +/- 10%

Environmental	
Operating temperature	-34 °C to +74 °C (-29 °F to 165 °F) - per Nema TS-2
- Continuous (sheltered, air temp)	-34 °C to +60 °C (-22 °F to 140 °F)
- Cold start	-30°C (-22 °F)
Vibration, shock	Nema TS-2 (2015)
Max wind velocity	240 km/h (150 mph)
Relative humidity	5% to 100%
Ingress rating	IP66
Impact rating (Casing only)	IK10
Corrosion Class	C5 (EN 12944-1998)

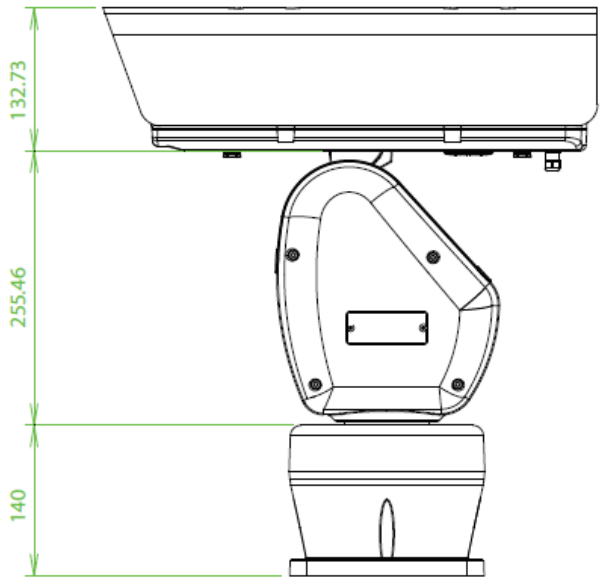
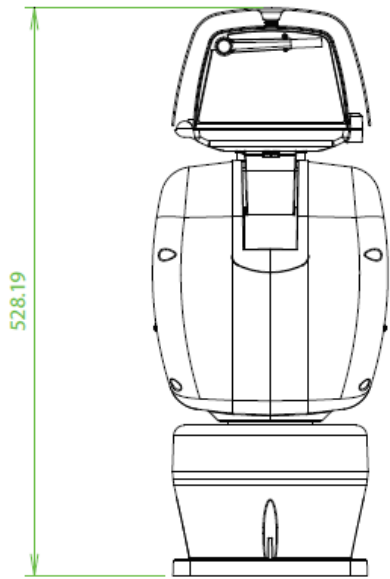
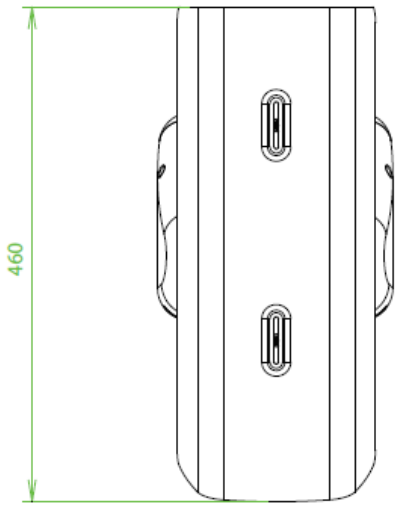
Mechanical	
Housing materials	Aluminum Die-cast
Coating	Powder coated (White)
Transmission	Toothed belt driven
Pan	Endless 360 degree

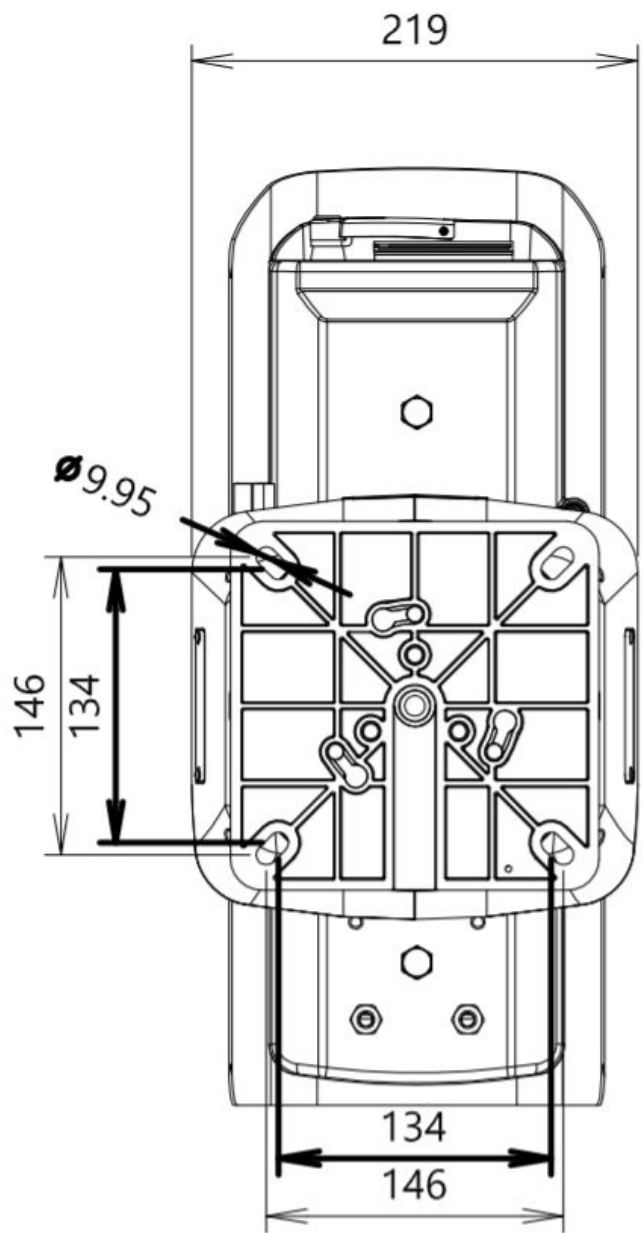
Specs



Mechanical	
Pan speed (variable)	0.036°/s up to 120°/s
Tilt	-90° to +40°
Tilt speed (variable)	0.012°/s up to 40°/s
Speed-by-Zoom	Yes, proportional for Optical zoom as well as Digital zoom
Presets	256
Preset accuracy	0.1° (typ.)
Wiper	Standard integrated wiper
Dimensions (h x w x d)	See drawings for dimensions
Weight	14 kg (30 lbs)

Ordering information	
UP33	Upright PTZ 33x zoom, 24 Vac
UP-IR200	IR illumination kit for UPxx PTZ, 200 m, 850 nm
UP-WM	Wall mount bracket for UPxx
UP-PM	Double bracket Pole mount adaptor for UP series
WP10	10l washer tank, pump 10m, float switch, 316L frame, 24 Vac -230 Vac
UP-WNK01	Upxx water nozzle kit. Includes nozzle, bracket and 10m hose
PA80-24	PSU, 115/230 VAC to 24VAC, 3.3A, indoor, extended temp.
PA144-JB24	PSU, 115/230VAC to 24VAC,6A, outdoor, IP67/IK10





RELATED



Siqura UP-IR200
IR illumination Kit for Upright PTZ UPxx



Siqura UP-WM
Wall mount bracket for UPxx



Siqura WP10
10l washer tank, pump 10m, float switch, 316L frame



Siqura PSR, PA
DC power adaptors for (PTZ) cameras and PoE switches



TKH Security PA144-JB24
PSU, 115/230VAC to 24VAC,6A, outdoor, IP67/IK10 junction box



Siqura UP-PM
Double bracket pole mount adapter for UP wall mount
