

UP36

Upright PTZ 36x zoom

DESCRIPTION

The Upright PTZ (UP36) is a high-precision, full-featured network PTZ camera providing high-quality, high-definition images, and ultra low-light performance. The integrated 36x optical zoom in combination with the embedded image stabilization makes the camera ideal for traffic applications.

FEATURES

- 1/2 Sony CMOS sensor
- 36x Optical zoom, true day & night
- Ultra Low-light performance
- High dynamic range (120 dB)
- Full HD 1080p resolution (2.1M)
- Multiple H.264/MJPEG streaming
- Day/Night with IR-cut filter
- Variable pan and tilt speed, proportional zoom
- Continuous rotation, tilt from -90° to +40°
- Preset accuracy of 0.1°
- ONVIF Profile S



Description

The robust construction using cast aluminum and durable plastics ensures accurate positioning and stable video, close by and at large distances. The UP36 is designed to operate under extreme temperatures for mission critical applications.

Ultra low-light performance

The 36x zoom is fitted with a 1/2 inch ultra low-light sensor, it produces high quality colour images even under low light conditions. No more slow-shutter smearing of movement (ghosting) or unclear noisy images.

Multi-stream high definition

The UP36 has multiple stream capability for simultaneous streaming of one or more H.264 or MJPEG streams. Two independent H.264/MJPEG encoders can generate full-HD 1080p video streams at full frame rate. Multiple combinations of resolution and frame rate can be configured to satisfy different live viewing and recording scenarios.

Open standards

Its compliance to open standards ensure that the UP36 is compatible with the most common VMS's out of the box. If you need to incorporate the camera's special features in your dedicated client software, the Programming Interface offers an easy HTTP API for guaranteed interoperability. This makes the camera an outstanding candidate for projects which require customization.

Image enhancement

The UP36 provides for dual exposure WDR, which enhances image visibility in difficult lighting situations with a staggering 120 dB dynamic range. This ensures quality pictures at all times. For the best image quality the camera also offers backlight or highlight compensation techniques. Electronic image stabilization ensures for stable images even fully zoomed in.

< (c) 20240905

Camera	
Image sensor	1/2 Sony CMOS sensor
Video standards	25 fps or 30 fps
Output resolutions	1920x1080; 1280x720; 1024x768; 800x600; 720x512; 640x480; 352x240
Aspect ratio	16:9; 4:3
Effective pixels	1937 (H) x 1,097 (V), 2.12 MP
Shutter speed	1/25 ~ 1/30000s, digital slow shutter (DSS) Off/2x/4x
Signal-to-noise ratio	>50 dB (AGC off)
Minimum scene illumination	Color (1/30s) 0.01 lux, BW (1/30s) 0.002 lux ; Color DSS (1/1s) 0.001 lux, BW DSS (1/1s) 0.0002 lux
Horizontal field of view	56.5° to 2.12°
Focal length	6 mm (F/1.5) to 216 mm (F/4.8)
Focus	Auto/Manual

Image control	
WDR/BLC	Off, WDR, BLC
WDR	120 dB (HDR)
HLC	Off, On, Night Only
White balance	Auto, One Push, Manual, Indoor, Outdoor
Image stabilization	Off, On
Gain Control (AGC)	Off, On
Iris control	0 to 20 steps
Exposure	Auto, Iris Priority, Shutter Priority, Manual
Brightness	0 to 20 steps
Sharpness	0 to 10 steps
AF mode	Auto, One Push, Manual
DNR (Noise Reduction)	Auto, Off, Low, Middle, High
ACE	Off, Low, Middle, High
Defog	Off, On (Auto, Manual)
Day/Night (IR-cut filter)	Auto, Day, Night, external
Privacy Masks	Dynamic, up to 24
Optical zoom	36x (32x digital)

Video	
Compression	H.264, MJPEG
Aspect ratio	Selectable 16:9 or 4:3. Cropped, no scaling.
Number of streams	2x
Aspect ratio	16:9, 16:10, 5:4, 4:3 (cropped, no scaling)
Compression algorithm(s)	H.264 BP/MP/HP (H.264/MPEG-4 AVC), MJPEG
Supported output resolutions	1920x1080; 1280x1024; 1280x720; 720x576; 704x576; 640x480; 480x576, 352x576; 704x288; 352x288; 320x240, 176x144
Compression bit rate control	Variable bit rate (VBR)
Output bit rate (per H.264 stream)	Up to 6Mb/s
latency	<125 ms

Specs



Video

Number of video output streams	Up to 20 (RTSP) per input
Total output data rate (max)	50Mb/s
Video overlay	3x Text, 1x bitmap (BMP, GIF) in both optical and thermal image
	Compass function (editable)
VCA	Video Motion Detection, Image Quality monitor, tamper detection

Network

Interface(s)	100 Mbps FE Ethernet (RJ-45)
Protocols	IPv4, TCP/IP, UDP, RTP, RTSP, HTTP, HTTPS, ICMP, FTP, SMTP, DHCP, UPnP, TLS1.2, IGMPv1/2/3, SNMPv1/2, QoS, ONVIF Profile S, 802.1X, NTCIP1205
Password levels	Admin, Operator, Viewer
Supported browsers	Edge, Chrome, Firefox, Safari
User accounts	20

Storage

Storage options	Micro HCSD card, 32 GB, NAS
Local recording	Continuous, scheduled, alarm

Powering

Power consumption	70 W incl. heater, 30 W without heater
Heater consumption	30 W Body; 10 W Defroster
Power	24 Vac +/- 10%

Environmental

Operating temperature	-34 °C to +74 °C (-29 °F to 165 °F) - per Nema TS-2
- Continuous (sheltered, air temp)	-30 °C to +55 °C (-22 °F to 131 °F)
- Cold start	-30°C (-22 °F)
Vibration, shock	Nema TS-2 (2015)
Max wind velocity	240 km/h (150 mph)
Relative humidity	5% to 100%
Ingress rating	IP66
Impact rating (Casing only)	IK10
Corrosion Class	C5 (EN 12944-1998)

Mechanical

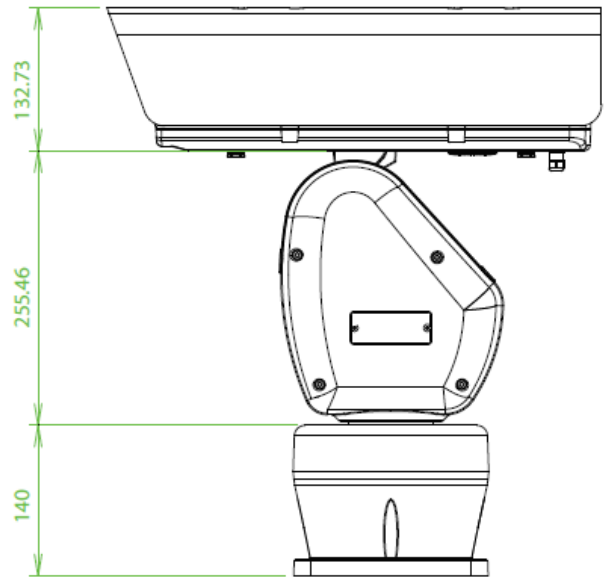
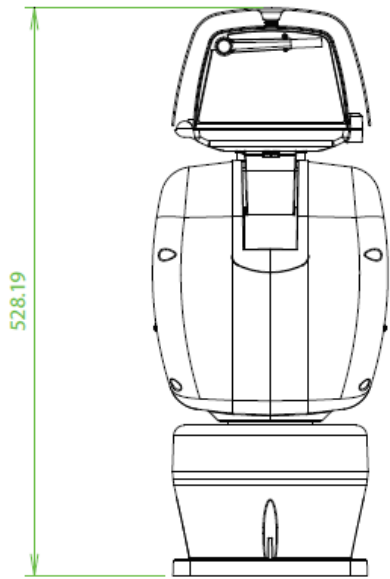
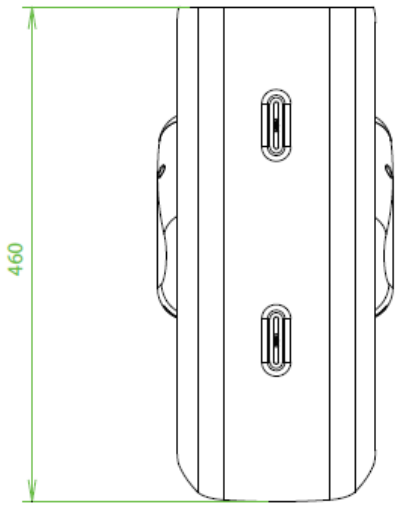
Housing materials	Aluminum Die-cast
Wiper	standard
Coating	Powder coated (White)
Transmission	Toothed belt driven
Pan	Endless 360 degree
Pan speed (variable)	0.036°/s up to 120°/s
Tilt	-90° to +40°
Tilt speed (variable)	0.012°/s up to 40°/s

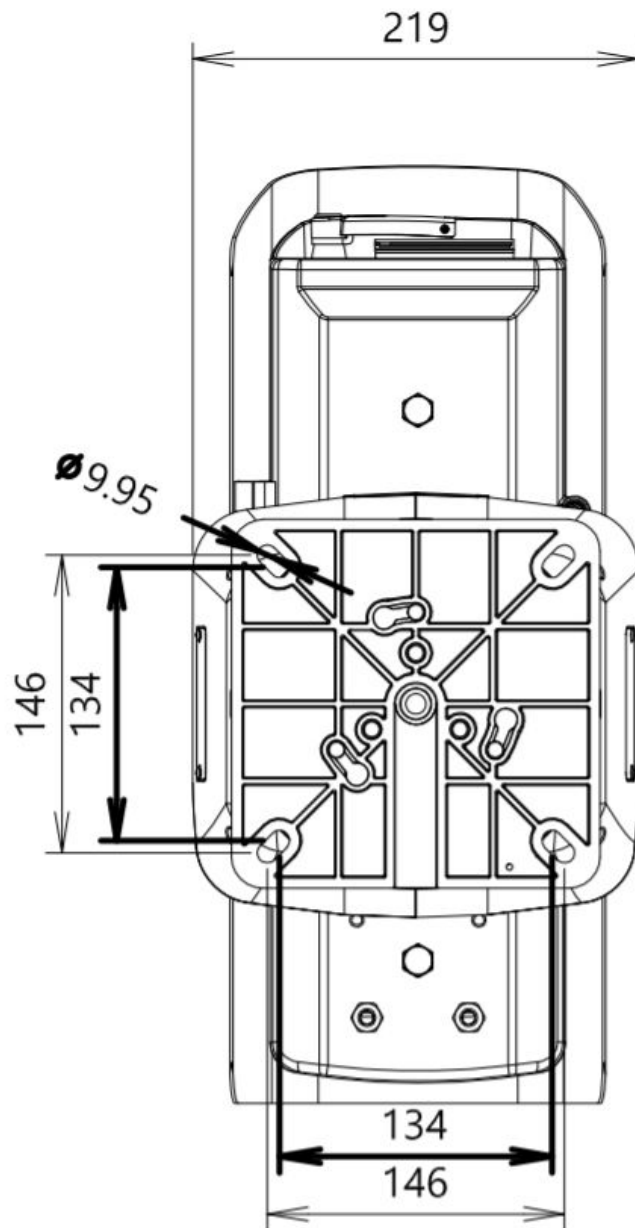
Specs



Mechanical	
Speed-by-Zoom	Yes, proportional for Optical zoom as well as Digital zoom
Presets	256
Preset accuracy	0.1° (typ.)
Dimensions (h x w x d)	See drawings for dimensions
Weight	14 kg (30 lbs)

Ordering information	
UP36	Upright PTZ 36x zoom, 24 Vac
UP-IR200	IR illumination kit for UPxx PTZ, 200 m, 850 nm
UP-WM	Wall mount bracket for UPxx
UP-PM	Double bracket Pole mount adaptor for UP series
WP10	10l washer tank, pump 10m, float switch, 316L frame, 24 Vac -230 Vac
UP-WNK01	Upxx water nozzle kit. Includes nozzle, bracket and 10m hose
PA80-24	PSU, 115/230 VAC to 24VAC, 3.3A, indoor, extended temp.
PA144-JB24	PSU, 115/230VAC to 24VAC,6A, outdoor, IP67/IK10





RELATED



Siqua UP-IR200
IR illumination Kit for Upright PTZ UPxx



Siqua UP-WM
Wall mount bracket for UPxx



Siqua WP10
10l washer tank, pump 10m, float switch, 316L frame



Siqua PSR, PA
DC power adaptors for (PTZ) cameras and PoE switches



TKH Security PA144-JB24
PSU, 115/230VAC to 24VAC,6A, outdoor, IP67/IK10 junction box



Siqua UP-PM
Double bracket pole mount adapter for UP wall mount
