

PSU-VAR-50W

External PSU for Vario i4-1/i4-2, 24V, 50W, 2xO/P, IP66

DESCRIPTION

The VARIO series of Power Supply Units (PSU) is purpose designed to correctly power all VARIO illuminators including VARIO IP, and provides a platform for the easiest, quickest and safest wiring and installation. As a full product family, there is a PSU to power any VARIO illuminator. The VARIO PSU 50W requires a 100-230V AC input and provides 24V output. 50W.

FEATURES

Powers multiple VARIO illuminators from one PSU

CAT5 connection for VARIO IP

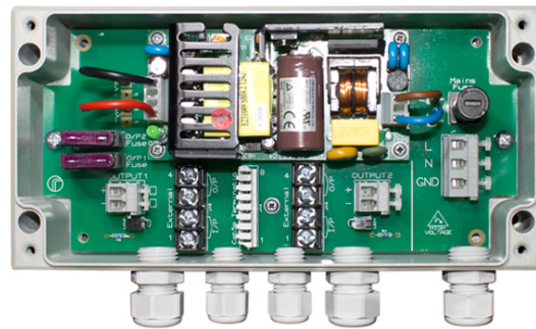
Easy wiring for all VARIO input and output connections

Internal illumination for night time installation

High Quality IP66 Aluminium Enclosure

Provides correct power for all VARIO illuminators

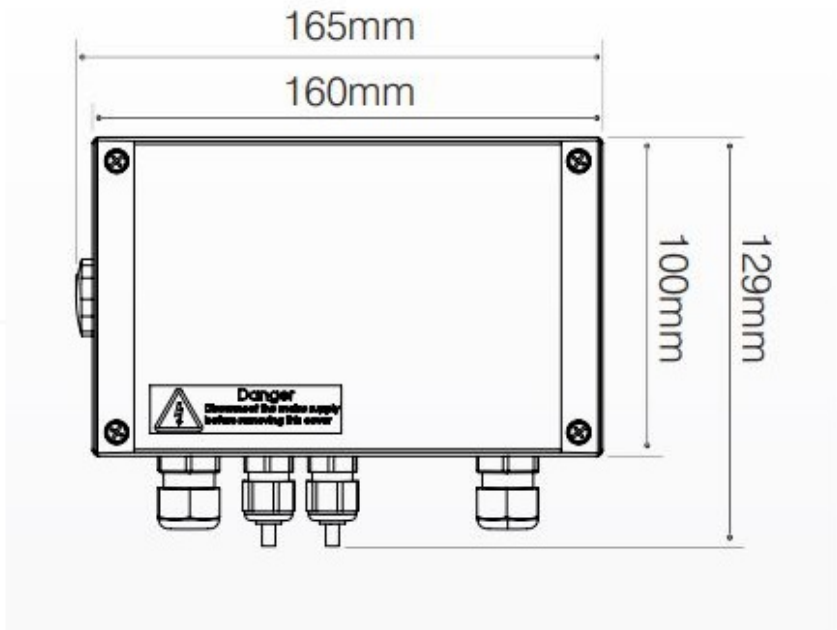
Status indicators signify correct voltage

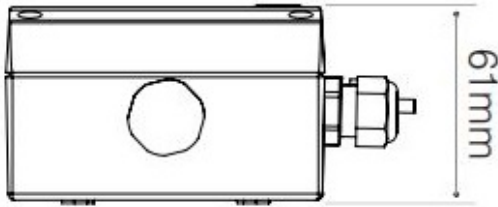


Illuminators (standard)	2 x VARIO 4 series
Input	100-230V AC
Input Fuse Type	20mm, slowblow, user replaceable without disconnecting mains input
Input Fuse Rating	2.5A
Max Output	50W
Output for VARIO Illuminators	2 for VARIO 4 series or equivalent power units
Output Fuse Type	automotive, blade, user replaceable
Output Fuse Rating	3A
FastConnect wiring	Quick and easy wiring for VARIO input and output connections 4 way robust terminal for telemetry input and photocell following output
White Light status LEDs	White-Light LED status indicators on all fused outputs to indicate correct voltage and to provide support illumination during installation and maintenance
Cat5 Connector	Cat5 Connector for VARIO IP
Glands	3x M16, 2x M12, IP68
Enclosure construction	High quality, power coated, IP66 aluminium
Dimensions	200 x 131 x 61 mm
Weight	1.0kg
IP Rating	IP66
Certification	CE compliant
Accessories available	External mounting feet

Ordering Info

PSU-VAR-50W	External PSU for Vario i4-1/i4-2, 24V, 50W, 2xO/P, IP66
-------------	---





RELATED



RayTec PSU-VAR-20W

External PSU for Vario i2, 24V, 20W, 1xO/P, IP66



RayTec PSU-VAR-100W

External PSU for Vario i8-1/i8-2, 24V, 100W, 2xO/P, IP66



RayTec PSU-VAR-150W

External PSU for Vario i8, 24V, 150W, 3xO/P, IP66
