

WM17B

Corner mount with junction box, for PD20xx PTZ dome series

DESCRIPTION

The WM17B is a corner mount with junction box for the PD20xx PTZ dome series cameras.





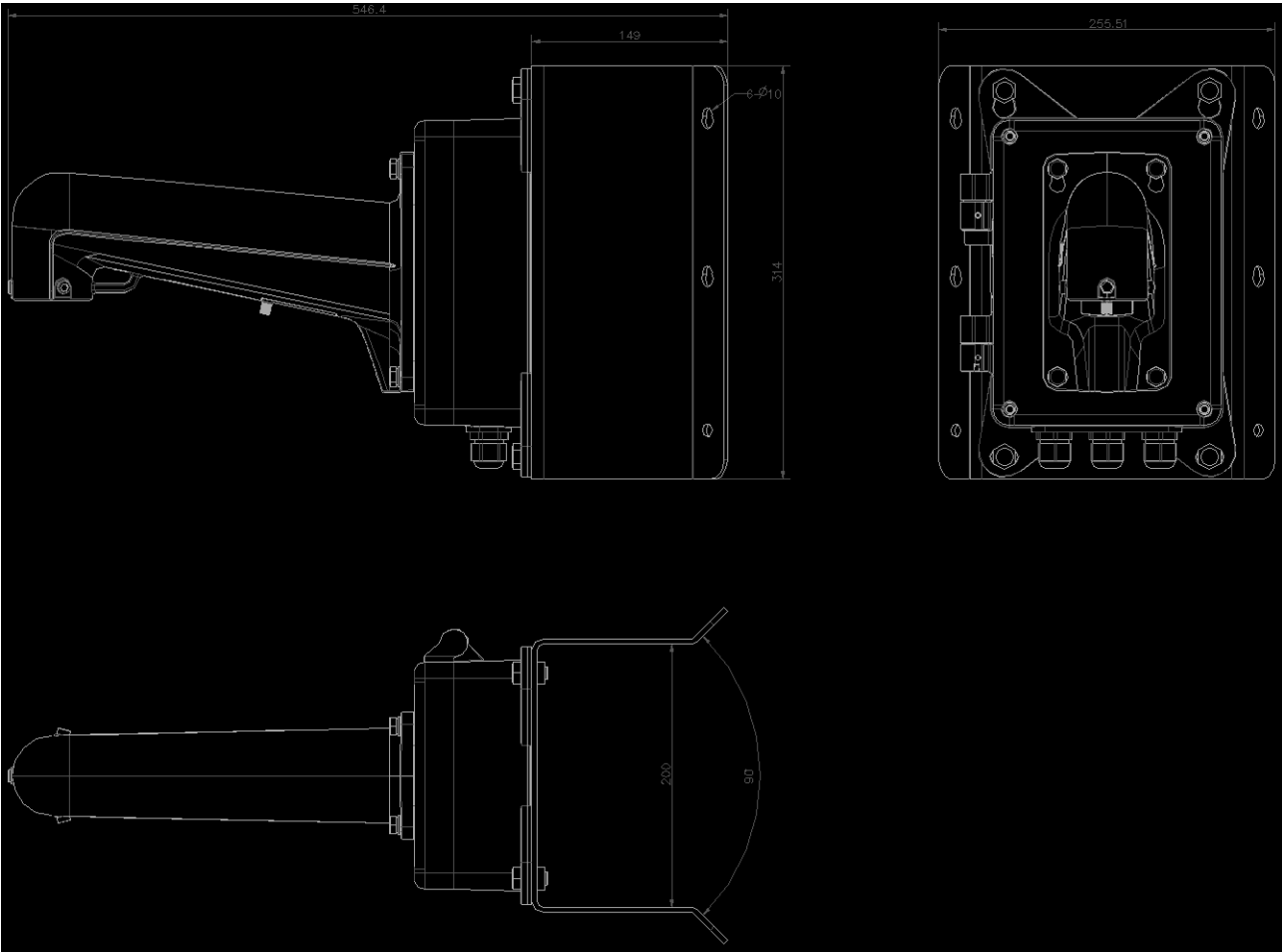
Mechanical

Material	Aluminium alloy and Steel
Color	RAL 9003 (signal white)
Dimensions (H x W x D)	256 x 314 x 546 mm (10.08 x 4.49 x 21.50 in)
Weight	8.4 kg (18.5 lbs)

Ordering Information

WM17B	Corner mount with junction box, for PD20xx PTZ dome series
-------	--





RELATED



TKH Security WM12
Wall mount, for PD20xx PTZ dome series



TKH Security WM12B
Wall mount with junction box, for PD20xx PTZ dome series



TKH Security PM07
Pole mount, for PD20xx PTZ dome series



TKH Security PM07B
Pole mount with junction box, for PD20xx PTZ dome series



TKH Security WM17
Corner mount, for PD20xx PTZ dome series



TKH Security CM11
Ceiling mount, for PD20xx-series PTZ cameras



TKH Security CM15
Ceiling mount, for PD20xx-series PTZ cameras, 25cm



TKH Security WM16
Gooseneck mount, for PD20xx PTZ dome series
