

SIQURA

# XCUSS01

## XCU Fusion Sunshield

### DESCRIPTION

Corrosion free sun-shield for XCU Fusion.

### FEATURES

---

Sun-shield for XCU Fusion

---

Powder coated 316L stainless steel

---

RAL9016

---

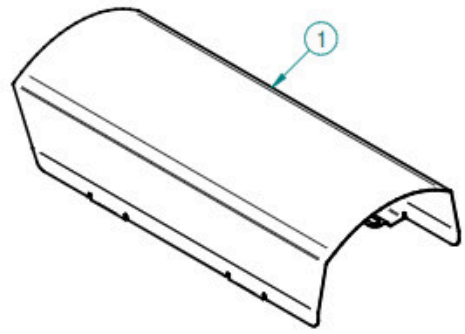
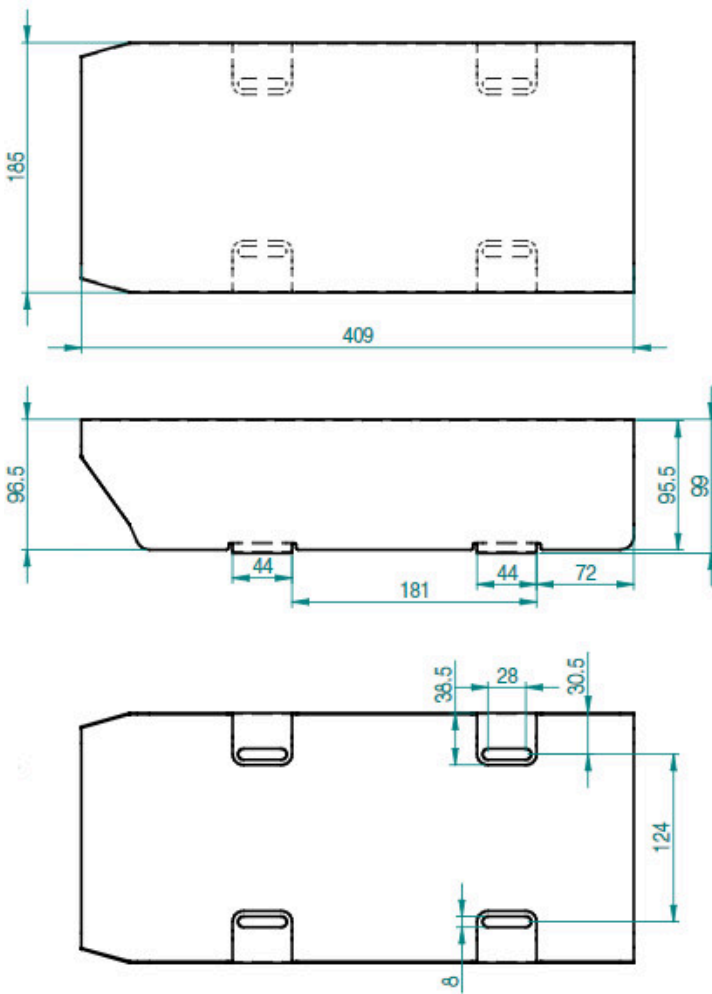
Corrosion Class C5

---

Max wind velocity 240 km/h (150 mph)

---





## RELATED

---



**Siqura XCU Fusion (EoL)**

316L stainless-steel intelligent dual imager camera

---



**Siqura XCU Fusion 2SM (EoL)**

316L stainless-steel intelligent dual imager camera with singlemode fiber

---