

XCUWM01

316L Wall-Pole mount with swivel for the XCU Fusion and Compact

DESCRIPTION

Wall/pole mount for XCU Fusion and XCU Compact.
(Stainless steel straps are not included)

FEATURES

Complete bracket for wall and pole mount

316L stainless steel

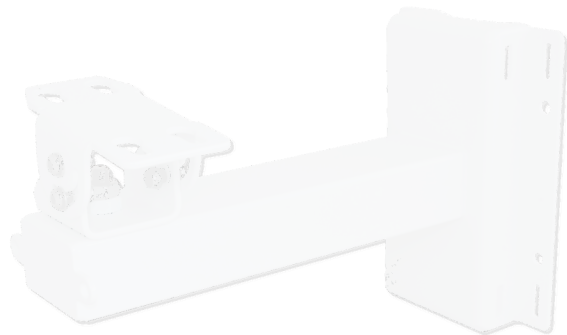
RAL9016

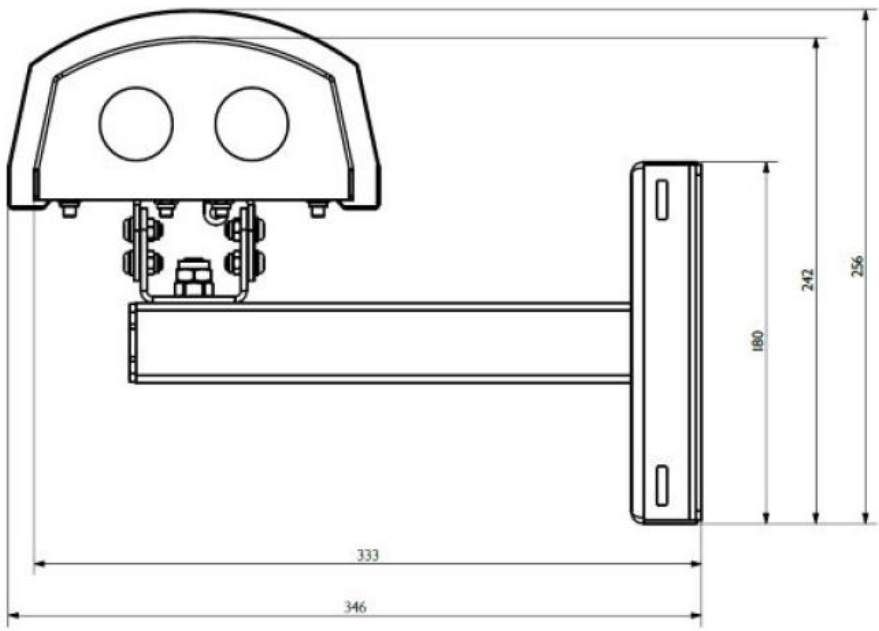
2.2 kg

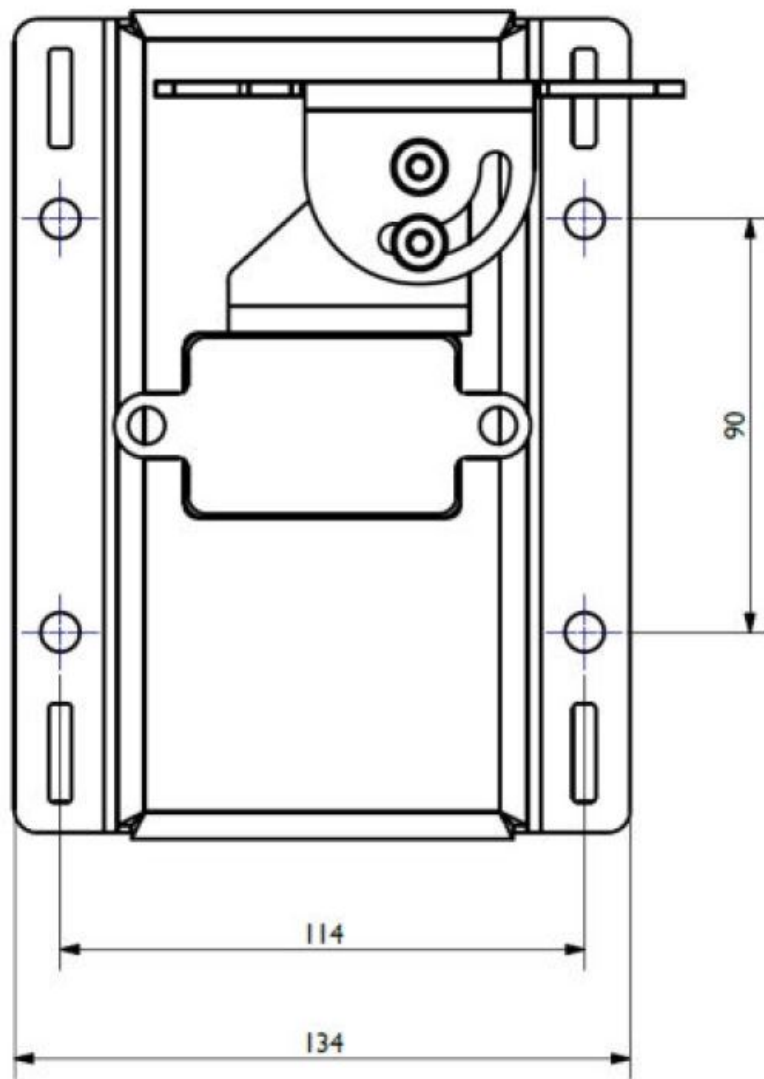
134 x 178 x 280

Max wind velocity 240 km/h (150 mph)

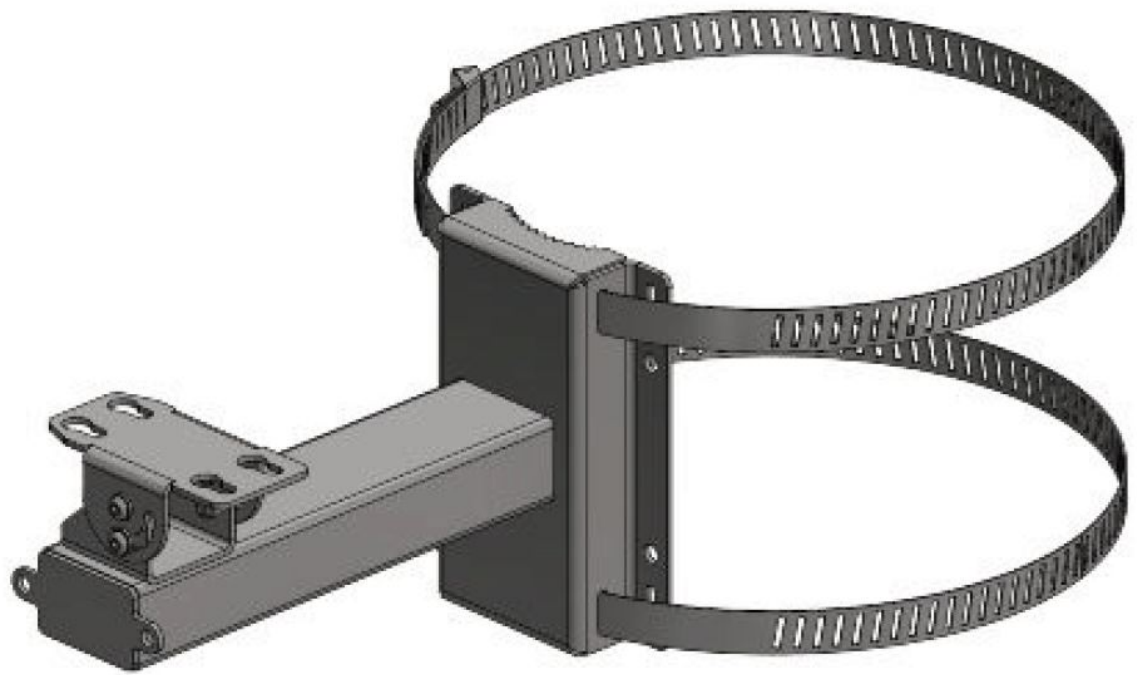
Corrosion Class C5







(STAINLESS STEEL STRAPS ARE NOT PART OF THE DELIVERY)



RELATED



Siqura XCU Fusion (EoL)

316L stainless-steel intelligent dual imager camera



Siqura XCU Fusion 2SM (EoL)

316L stainless-steel intelligent dual imager camera with singlemode fiber



Siqura XCU Compact (EoL)

XCU Compact 316L rugged 2MP HD camera motorized zoom
