

Features

- Four-channel digital video transmitters and receivers
- Transports duplex "Up-the-Coax" PTZ and camera control / data channel information
- Supports two additional data ports and one high-speed port
- Digital, high-quality ≥ 63 dB video SNR
- Series 9000 rack-mount card
- Compatible with Series 9900 Network Management System (NMS) software



9482D Series

4-channel video with "Up-the-Coax" and 3 duplex data channels

Description

The 9482D card digitises and transports four "Up-the-Coax" video channels, two duplex data channels, and a duplex high-speed port over one optical fiber.

Video

Much better video quality is obtainable using fiber than with standard coax or twisted-pair transport methodology. It is compatible with control systems such as the Panasonic Proteus and similar systems.

Data ports

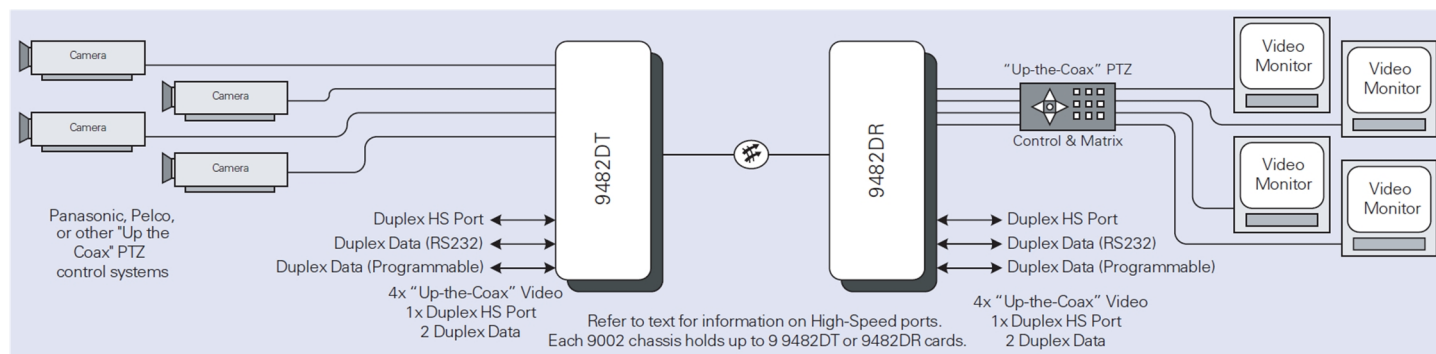
One of the two built-in duplex data ports is set for RS-232 operation. The other one is user-configurable as RS-232, RS-485 or RS-485 2-/4-wire, or Manchester encoding.

High-speed port

The duplex high-speed port makes it possible to add a custom configuration of audio, data, contact closures, intercom, or even a 10 Mb Ethernet channel to the same fiber as the video and built-in data.

Technical Specifications

9482D Series



Video (x4)

Video format	NTSC, PAL
Video input	1V pk-to-pk into 75 Ω
Connector	BNC
Bandwidth	2 Hz to 6.5 MHz, -3 dB
Differential gain	1.0% typical, 2.0% maximum
Differential phase	0.7° typical, 2.0° maximum
SNR	≥ 63 dB over usable fiber range (weighted per RS-250C standard)
Video encoding	Uncompressed 9-bit linear PCM
Video sampling rate	15 MHz

Data channels

Channel 1	Duplex RS-232 115.2 Kbps Auto Baud, RJ-45 connector shared with data Channel 2
Channel 2	User-configurable duplex RS-232, RS-422 or RS-485 2-/4-wire or Manchester (Bi-Phase), 128 Kbps Auto Baud (Manchester 32 Kbps), RJ-45 connector shared with data Channel 1

High-speed port (x1)

High-speed port	Supports duplex RS-422 data or optional Option Module host cards (9961A/9962A) supporting 4 or 8 duplex Option Modules or 10 Mbps Ethernet signals (9973)
RS-422 data port specifications	2-wire RS-422 @ 1.5 Mbps Asynchronous, or 15 Mbps Synchronous with R-J45 type connector

Powering

Voltage	6 Vdc (supplied by chassis)
Current	
9482DT	750 mA
9482DR	650 mA

Technical Specifications

9482D Series

Management

LED status indicators	
9482DT	Status, Video Present (x4), Up-the-Coax Data Active (x4)
9482DR	Status, Tx Video Present (x4), Up-the-Coax Data Active (x4)
NMS support	The 9482D is supported by the 9900 Network Management System (NMS) software.

Environmental

Operating temperature	-40 °C to +74 °C (-40 °F to +165 °F)
Storage temperature	-55 °C to +85 °C (-67 °F to +185 °F)
Relative humidity	0 to 95% noncondensing

Note: The selection of the power supply may affect the system operating temperature range.

Mechanical

9482DT, 9482DR	2-slot card, Series 9000 chassis
Dimensions (h x w x d)	154.9 x 40.6 x 218.4 mm (6.1 x 1.6 x 8.6 in)
Weight (approx.)	362.9 g (0.8 lbs)

Optical

Optical pair types TX/RX	MMH	SM
Fiber type	MM (62.5 µm)	SM (09 µm)
Wavelength TX/RX	1310/1550 nm	1310/1550 nm
Output power TX/RX	-7/-7 dBm	-7/-7 dBm
Sensitivity RX/TX	-23/-26 dBm	-25/-31 dBm
Link budget TX to RX/RX to TX	16/19 dB	18/24 dB
Range ^{1, 2, 3}	1.5 km	1.5 km
Connector	ST ⁴	ST ⁴

¹ Range estimates are limited due to the nature of "Up-the-Coax" control signal systems.

² Fiber losses are based on optical losses of 1.0 dB/km @ 1310 nm on 50 and 62.5/125 fiber, 0.35 dB/km @ 1310 nm and 0.25 dB/km @ 1550 nm on 09/125 fiber, and include a 3 dB safety factor.

³ Range may be limited by modal and chromatic dispersion, fiber quality, and fiber bandwidth. Range estimates for multimode are based on 500 MHz/km quality fiber.

⁴ ST connectors standard; consult factory for availability of FC or other connector types.

Ordering information

Models	Description	Fiber type
9482DT/MMH-ST	FourVideoPlus, transmitter, rack-mount ³	1x MM ⁴
9482DR/MMH-ST	FourVideoPlus, receiver ¹ , rack-mount ³	1x MM ⁴
9482DT/SM-ST	FourVideoPlus, transmitter, rack-mount ³	1x SM ⁴
9482DR/SM-ST	FourVideoPlus, receiver ² , rack-mount ³	1x SM ⁴

¹ Mates with MMH transmitter type.

² Mates with SM transmitter type.

³ Use the 9003-2, -3, or -6 to convert this unit to a stand-alone module.

⁴ Refer to the Optical section for detailed optical data.



The quality management system utilized in the development, production, sales, and support of this product is ISO 9001:2008 certified by LRQA.

© Siquira B.V. 2015 - Version 1.0 - Subject to modification.

